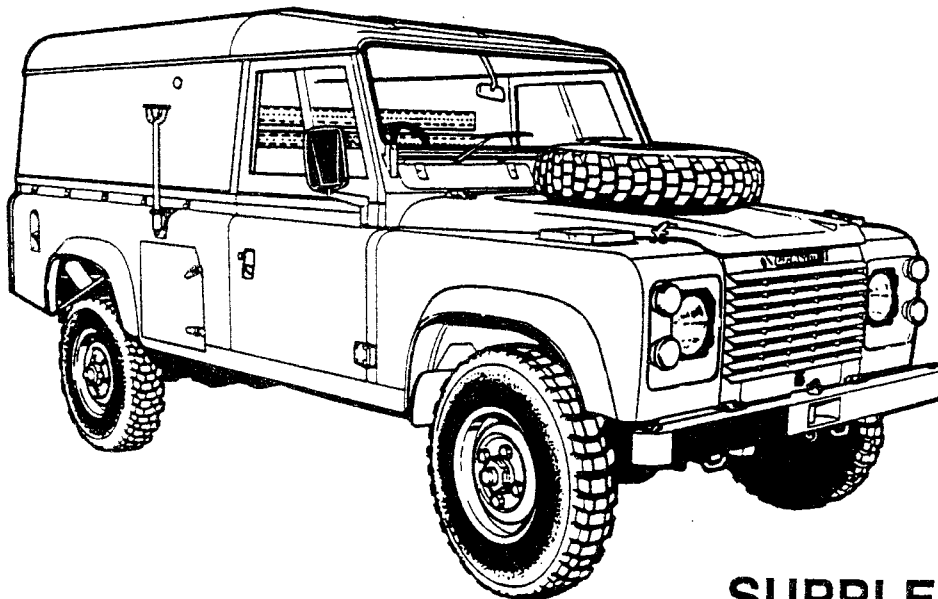
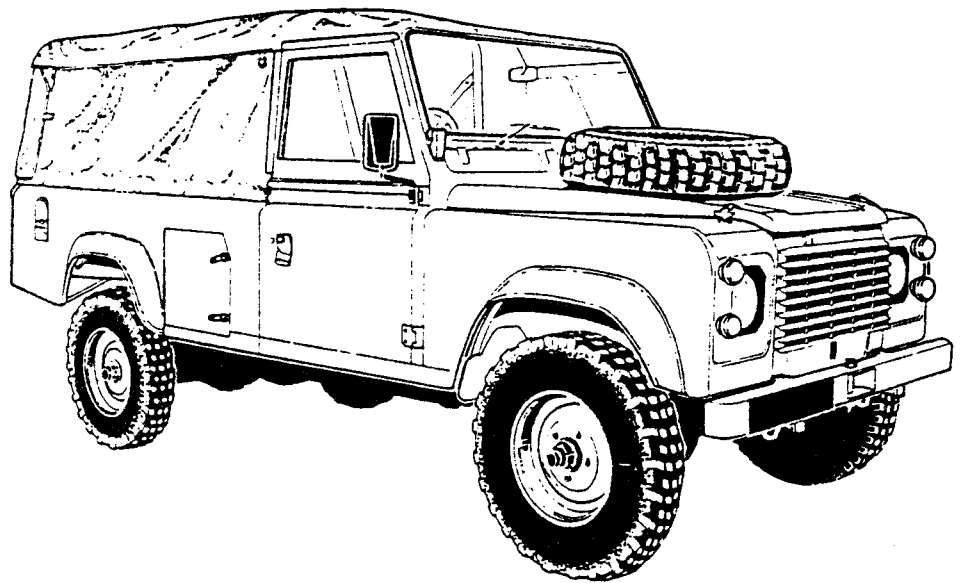




**LAND ROVER  
PARTS LTD**

FEBRUARY 1991

**MILITARY DEFENDER 110  
2.5 DIESEL 12v-12/24volt  
CONTRACT No. LV2A/004**



**SUPPLEMENTARY  
PARTS  
CATALOGUE**

This publication should only be used for the Contract  
LV2A/004 - LAND ROVER DEFENDER 110 2.5 DIESEL

CONTRACT ITEM No	DESCRIPTION		ASSET CODE VB-	NATO STOCK No 2320-99-893-
27	TUM, Hard Top, 12/24V	RHD	1705-3100	7003
28	TUM Hard Top, 12/24V	LHD	1705-8100	7028
29	TUM, Helicopter Ground Support Hard Top, 12/24V	RHD	1706-3100	8061
30	TUM, Winterised, GS, Soft Top 12V	RHD	1709-3103	8116
31	TUM, GS, Soft Top, 12V	RHD	1710-3103	7004
33	TUM, Winterised, Hard Top, 12V	RHD	1716-3100	8117
34	TUM, GS, Hard Top, 12V	RHD	1717-3100	7007
35	TUM, GS, Hard Top, 12V	RHD	1717-8100	7032
36	TUM, FFR, Hard Top, 12/24V	RHD	1720-3100	7008
37	TUM, FFR, Hard Top, 12/24V	LHD	1720-8100	7033
38	TUM, FFR, Hard Top, Winterised 12/24V	RHD	1721-3100	8057
39	TUM, CL, Antispark, Aircraft Armament Support, Hard Top 12V	RHD	1724-3102	8118
40	TUM, FFR, Soft Top, 12/24V	RHD	1731-3100	8119
41	TUM, FFR, Soft Top, 12/24V	LHD	1731-8100	8120
48	TUM, Winterised, GS, Hard Top, 12V	RHD	1708-3100	8053
49	TUM, FFR, Hard Top, 12/24V	RHD	1720-3100	7008
50	TUM, GS, Hard Top, 12/24V	LHD	1720-8100	7033
51	TUM, CL, Antispark, Aircraft Armament Support, Hard Top, 12V	RHD	1724-3102	8118
52	TUM, Helicopter Ground Support, Hard Top, 12/24V	RHD	1706-3100	8061

This Supplementary Parts Catalogue covers the items shown below on Contract LV2A/004 and must be used in conjunction with the latest issue of Parts Catalogue/Fiche RTC9932.

ITEM NO:	VOLTAGE	VEHICLE TYPE 110	
27	12/24 Volt 45/90 Amp	Hard Top	RH Stg
28	12/24 Volt 45/90 Amp	Hard Top (FFR)	LH Stg
29	12/24 VOLT 45/90 Amp	Hard Top	RH Stg
30	12 Volt 65 Amp	Hard Top (Winterised)	RH Stg
31	12 Volt 45 Amp	Soft Top	RH Stg
33	12 Volt 65 Amp	Hard Top (Winterised)	RH Stg
34	12 Volt 45 Amp	Hard Top	RH Stg
35	12 Volt 45 Amp	Hard Top	LH Stg
36	12/24 Volt 45/90 Amp	Hard Top (FFR)	RH Stg
37	12/24 Volt 45/90 Amp	Hard Top (FFR)	LH Stg
38	12/24 Volt 65.90 Amp	Hard Top (Winterised)	RH Stg
39	12 Volt 45 Amp	Hard Top (Anti Spark)	RH Stg
40	12/24 Volt 45/90 Amp	Soft Top (FFR)	RH Stg
41	12/24 Volt 45/90 Amp	Soft Top (FFR)	LH Stg
48	12 Volt 65 Amp	Hard Top (Winterised)	RH Stg
49	12/24 Volt 45/90 Amp	Hard Top (FFR)	RH Stg
50	12/24 Volt 45/90 Amp	Hard Top (FFR)	LH Stg
51	12 Volt 45 Amp	Hard Top (Anti Spark)	RH Stg
52	12/24 Volt 45/90 Amp	Hard Top (FFR)	RH Stg

ALPHABETICAL INDEX

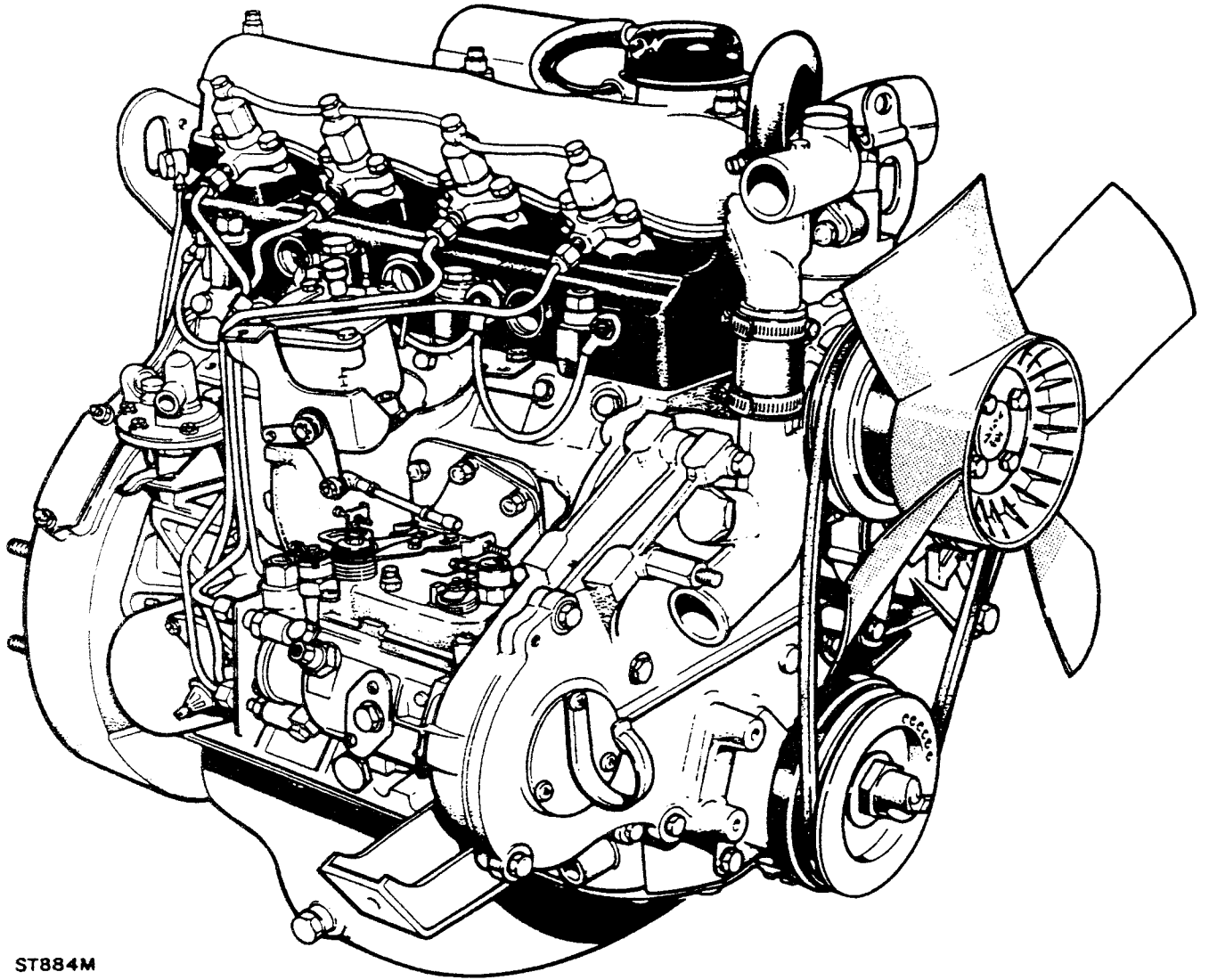
DESCRIPTION	PAGE	DESCRIPTION	PAGE
<u>A</u>		<u>C</u> - Continued	
Aerial Leads	49	Capping-Door	63
Aerial Support Column	49	Capping-Rear Body Lower	72
Alternator 12 Volt A127/45	15	Chassis Harness	37
Screened (12/24Volt Engine)		Cleat-Lashing-Cargo	71
Alternator 12 Volt A127/65	16	Clips-Small Arms	81
Screened (12/24Volt Engine)		Cover-Front-Engine	5
Alternator 24 Volt 90 Amp	17	Cylinder Block	2
Alternator Mountings-24 Volt	18	Cylinder Head	8
Ammeter	40		
		<u>D</u>	
<u>B</u>		Demist-Sidescreen	86
Battery Clamping Frame	36	Door-Front	63
Battery-Vehicle	35		
Belt-Drive-Alternator 24V	7	<u>E</u>	
Belt-Drive-Alternator 12V	7	Engine-Complete Assemblies	1
And Fan		Engine Pre-Start Heater	26
Belt-Fan	6	Exhaust-Spark Arrestor	23
Belt Tensioner-Fan	9	Exhaust Valve	11
Blind-Snow	91		
Block-Cylinder	2	<u>F</u>	
Bonding Leads	53	Fan Belt	6
Bonnet Fastener	61	Fan-Engine	6
Bonnet Prop	60	Fastener-Bonnet	61
Bracket-Trim-Upper Bodyside	90	Flasher Unit	45
Breather Cyclone	12	Frame-Clamp-Batteries	36
Breather System-Engine	12	Front Cover-Engine	5
Bulb-Ammeter	40	Front Door	63
Bulb-Ignition Warning Light	39	Fuel Injector-Engine	14
Bumper-Front	56	Fuse Box	41
Bumperette-Rear	57	Fuse Label	38
		<u>G</u>	
<u>C</u>		Gearbox Assembly-(Low Ratio)	20
Cable-24 Volt Alternator to	39	Guide-Valve-Exhaust	8
Fuse Box			
Cable-24 Volt Ignition	39	<u>H</u>	
Warning Light		Hand Throttle Cable	22
Cable-Ammeter Illumination	40		
Cable-Fuse Box to Terminal	39		
Box			
Cable-Hand Throttle	22		
Camouflage Net Stowage	69		

ALPHABETICAL INDEX

DESCRIPTION	PAGE	DESCRIPTION	PAGE
<u>H</u> - Continued		<u>L</u> - Continued	
Handle-Grab-Instrument Panel End	86	Lamp-Tail	31
Handle-Rear Door	88	Lead -Battery	35
Harness-Chassis	37	Lifting & Lashing Ring	58
Harness-Engine 12/24 Volt	19	Lock-Anti-Burst-Front Door	65
Harness-Heated Windscreen	62	Lock-Rear End Door	78
Harness-Main	38	Locker-Tool	76/77
Hatch-Escape	68		
Hazard/Flasher Unit	45	<u>M</u>	
Headlamp-RH Stg	28	Main Harness	38
Headlamp-LH Stg	29	Manifold-Inlet-Engine	13
Headlining-Front	68	Master Lighting Switch 6 Way	44
Heater Assembly (Suppressed)	24	Motor-Windscreen Wiper RH Stg	46
Heater-Engine Pre-Start	26	Motor-Windscreen Wiper LH Stg	47
Heater Motor (Suppressed)	25		
Heater-Rear (Engine Compartment Items)	26	<u>N</u>	
Heater-Rear (Rear Body Items)	27	NATO Socket-12 Pin	93
Hinge-Front Door	66		
Hood	82	<u>P</u>	
Hoodsticks	85	Panel-Switch-Auxiliary	44
Hot Plug	8	Piston	3
		Piston Ring	3
<u>I</u>		Plug-Hot	8
Idler Assembly-Fan Belt	9	Prop-Bonnet	60
Injector-Engine	14	Pulley-Idler-Fan Belt	9
Inlet Manifold-Engine	13	Pulley-Water Pump	6
Inspection Socket	44		
Insulation	87	<u>R</u>	
		Radiator-Rear Heater	27
<u>J</u>		Radio Equipment	51/52
Jerrycan Holders	74/75	Relay-Heated Windscreen	62
		Reflector-Rear	57
<u>L</u>		Ring-Lifting & Lashing	58
Label-Fuse	38	Ring-Lifting-Rear	59
Lamp-Convoy	33	Ring-Piston	3
Lamp-Fog Guard-Rear	32	Roll Over Bar (FFR)	83
Lamp-Indicator-Front	30	Roll Over Bar (Non FFR)	84
Lamp-Indicator-Rear	31	Roof	67
Lamp-Map Reading	34		
Lamp-Side-Front	30		

ALPHABETICAL INDEX

DESCRIPTION	PAGE	DESCRIPTION	PAGE
<u>S</u>			
Seat-Radio Operator	55		
Shunt 90 Amp	42		
Sidescreen-Front Door	64		
Ski Rack	70		
Snow Blinds	91		
Socket-Inter Vehicle Start	94		
Socket-NATO-12 Pin	93		
Spark Arrestor	23		
Speedometer-KMH/MPH	48		
Starter Socket-Inter Vehicle	94		
Stiffener-Rear Wheelarch	73		
Stowage-Camouflage Net	69		
Stowage-Tool-Rear Door	79		
Stowage-Tool-Tailboard	80		
Sump-Engine	4		
Supports-Radio Equipment	54		
Switch-6 Way Lighting	44		
Switch-Heated Windscreen	62		
Switch-Indicator/Horn	43		
Switch-Wash/Wipe	43		
<u>T</u>			
Terminal Box	42		
Thermostat-88 Degrees	10		
Towing Pin	56		
Towing Pintle	92		
Transfer Box-Gearbox	21		
Trim Bracket-Upper Bodyside	90		
Trim-Upper Bodyside	89		
<u>V</u>			
Valve-Depression Control	12		
Valve-Exhaust	11		
Valve Guide-Exhaust	8		
Viscous Unit-Fan	6		
<u>W</u>			
Water Pump	6		
Windscreen-Heated	62		
Windscreen Wiper Motor	46		
RH Stg			
Windscreen Wiper Motor	47		
LH Stg			



ST884M

MODEL DEFENDER 110  
BLOCK ST 884M

ENGINE - COMPLETE ASSEMBLIES

ILL	PART NO	DESCRIPTION	QTY	REMARKS
1	STC370N	Engine-12 Volt-45 Amp	1	Note(1) )
	STC371N	Engine-12 Volt-65 Amp	1	Note(2) )Note(5)
	STC372N	Engine-12/24 Volt 45/90 Amp	1	Note(3) )
	STC369N	Engine-12/24 Volt 65/90 Amp	1	Note(4) )

NOTE(1): Fitted To Contract Items  
31, 34, 35, 39, 51.

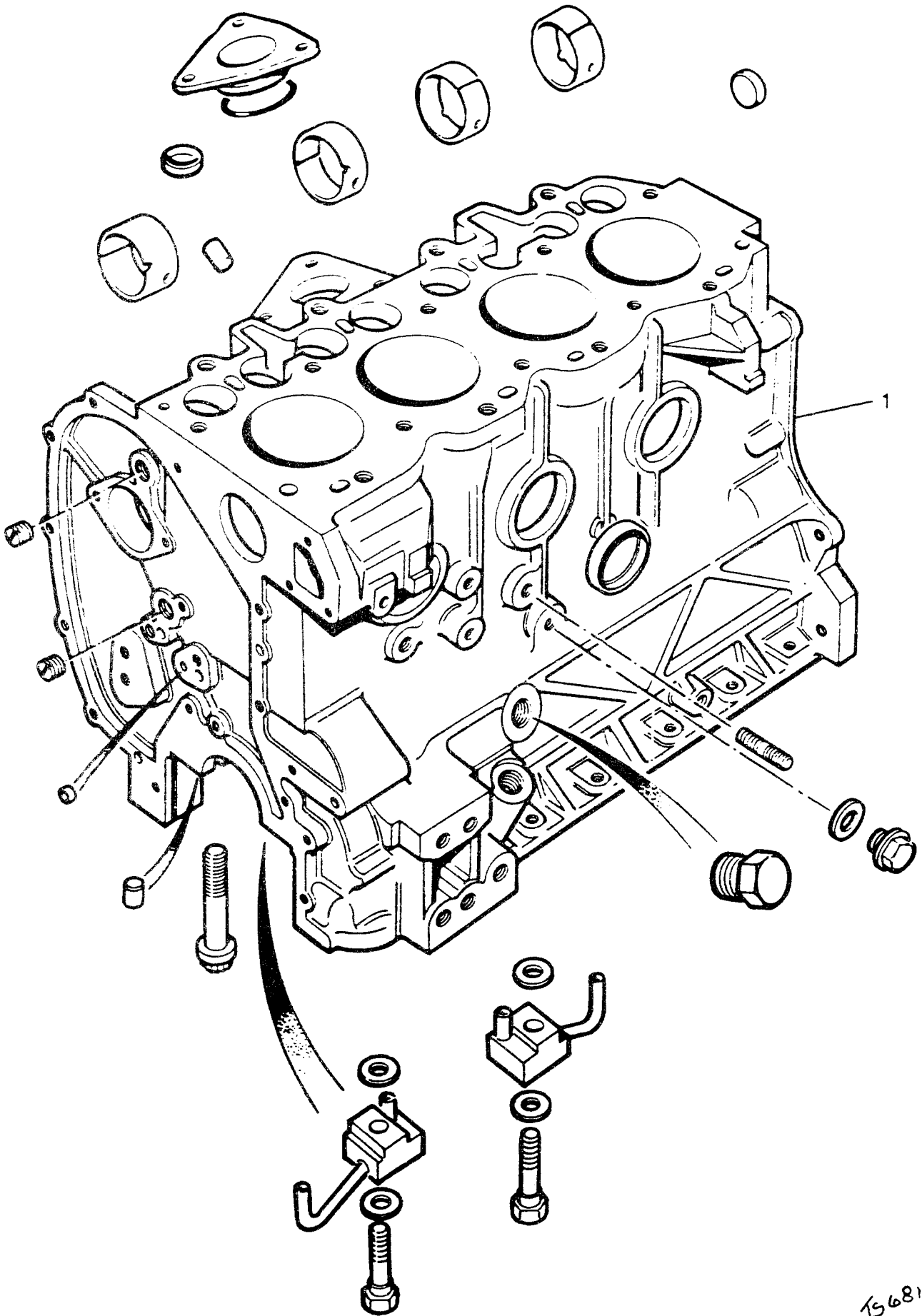
NOTE(2): Fitted To Contract Items  
30, 33, 48.

NOTE(3): Fitted To Contract Items  
27, 28, 29, 36, 37, 40, 41,  
49, 50, 52.

NOTE(4): Fitted To Contract Item 38.

NOTE(5): Engine Serial No. Prefix 11J.





156810

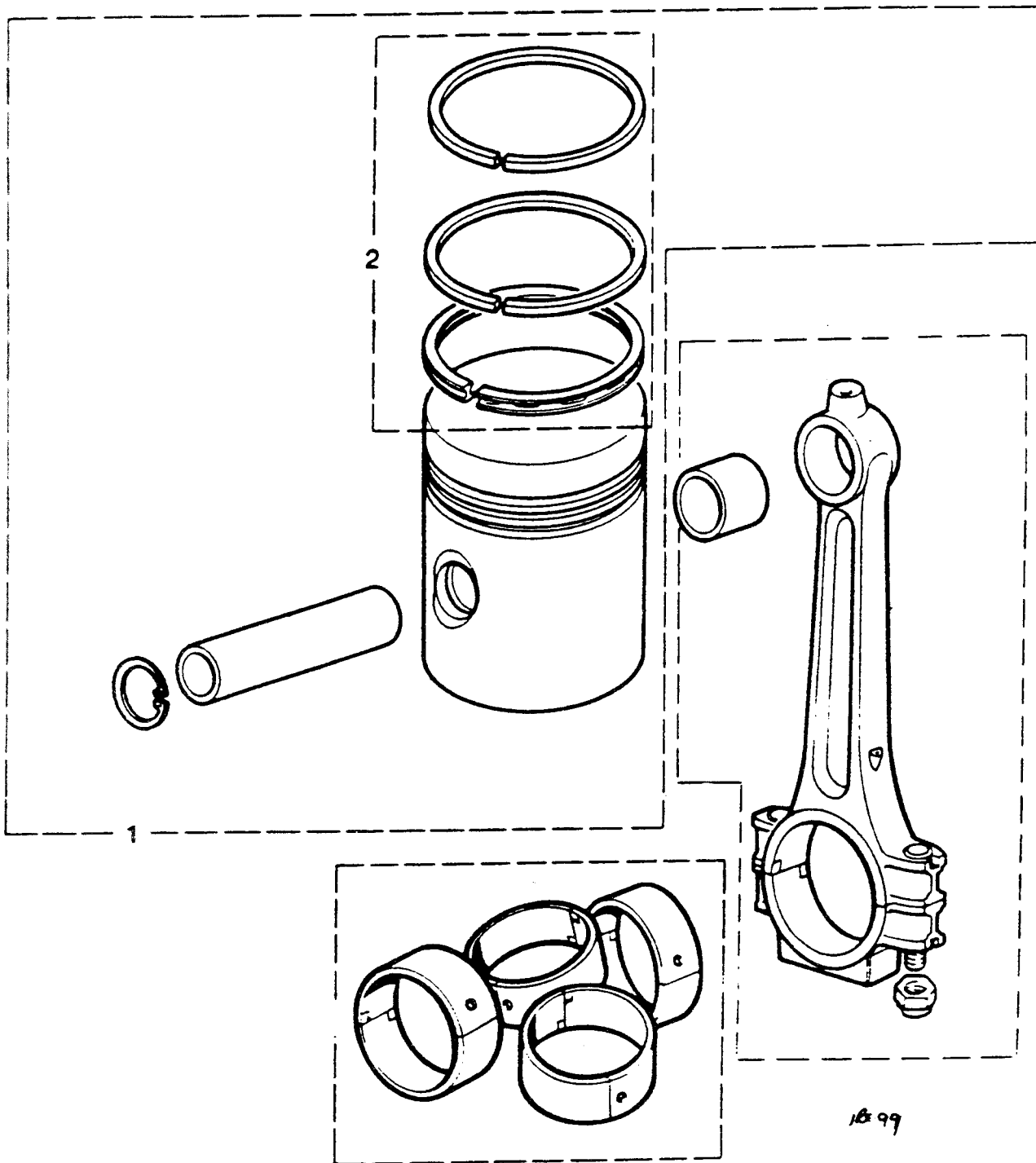
MODEL DEFENDER  
BLOCK TS 6810

MODULE EN098

ENGINE - CYLINDER BLOCK - 2.5 DIESEL

ILL	PART NO	DESCRIPTION	QTY	REMARKS
1	ERR1431	Cylinder Block Assy	1	

NOTE: Engine Serial No. Prefix 11J.



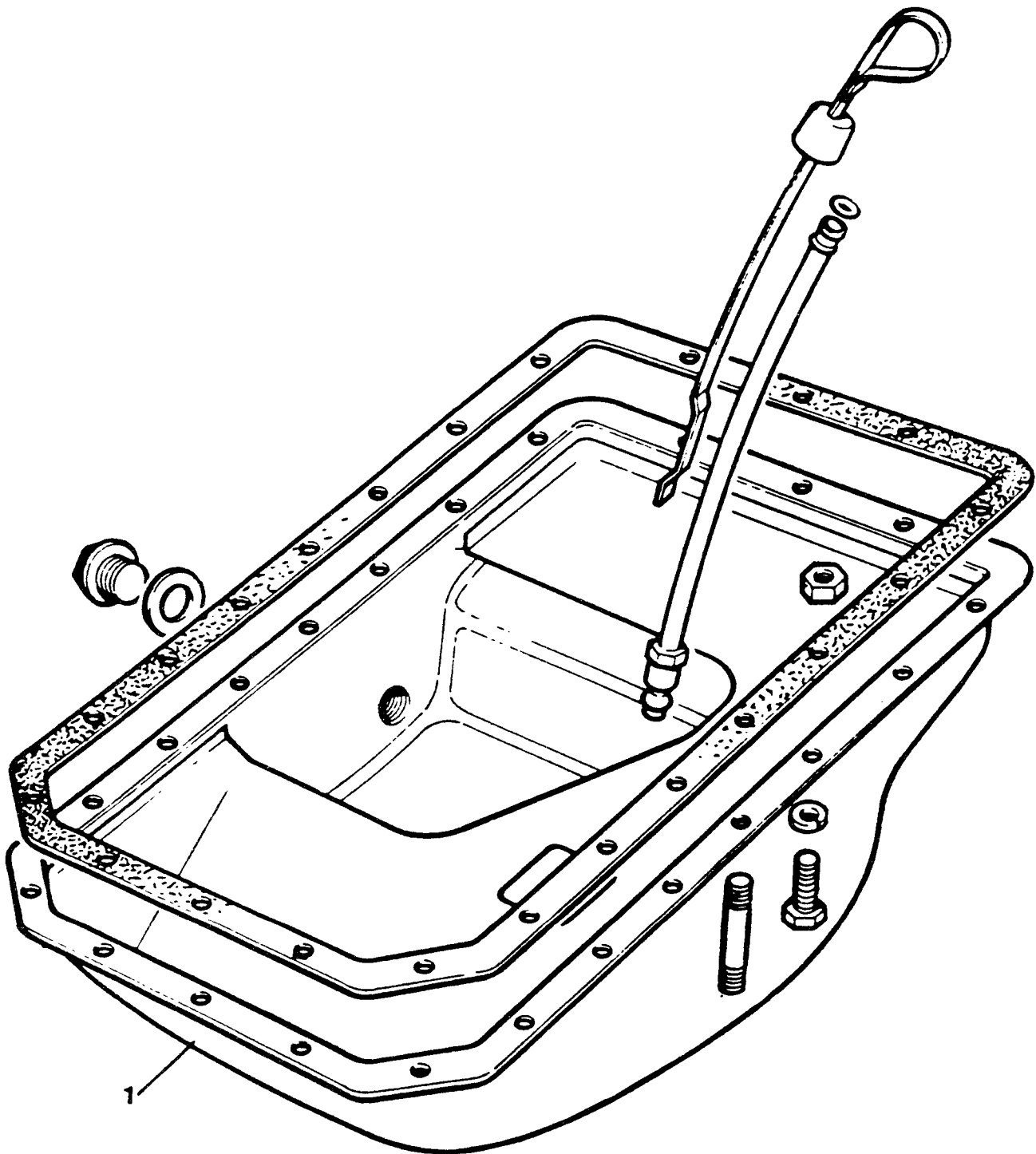
MODEL DEFENDER  
BLOCK 1RE 99

MODULE EN098

ENGINE - PISTONS - 2.5 DIESEL

ILL	PART NO	DESCRIPTION	QTY	REMARKS
1	ETC7863	PISTON AND RINGS ASSEMBLY Standard-Grade Y	4	
	ETC8883	Standard-Grade X	4	
2	STC336	KIT-PISTON RING Standard	4	

NOTE: Engine Serial No. Prefix 11J.



IRE 131

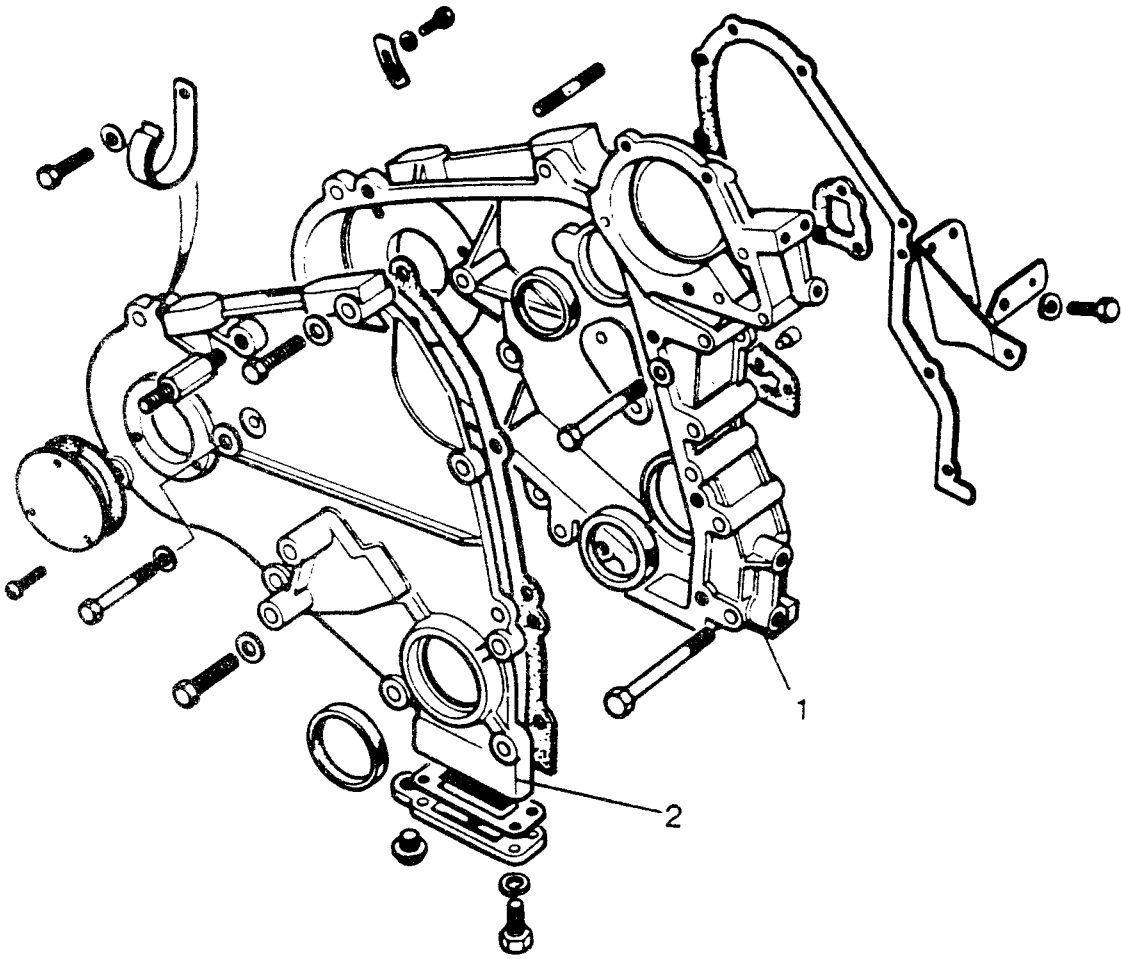
MODEL DEFENDER  
BLOCK 1RE 131

MODULE EN098

ENGINE - SUMP - 2.5 DIESEL

ILL	PART NO	DESCRIPTION	QTY	REMARKS
1	ERR1570	Sump	1	

NOTE: Engine Serial No. Prefix 11J.



TS 5001/B

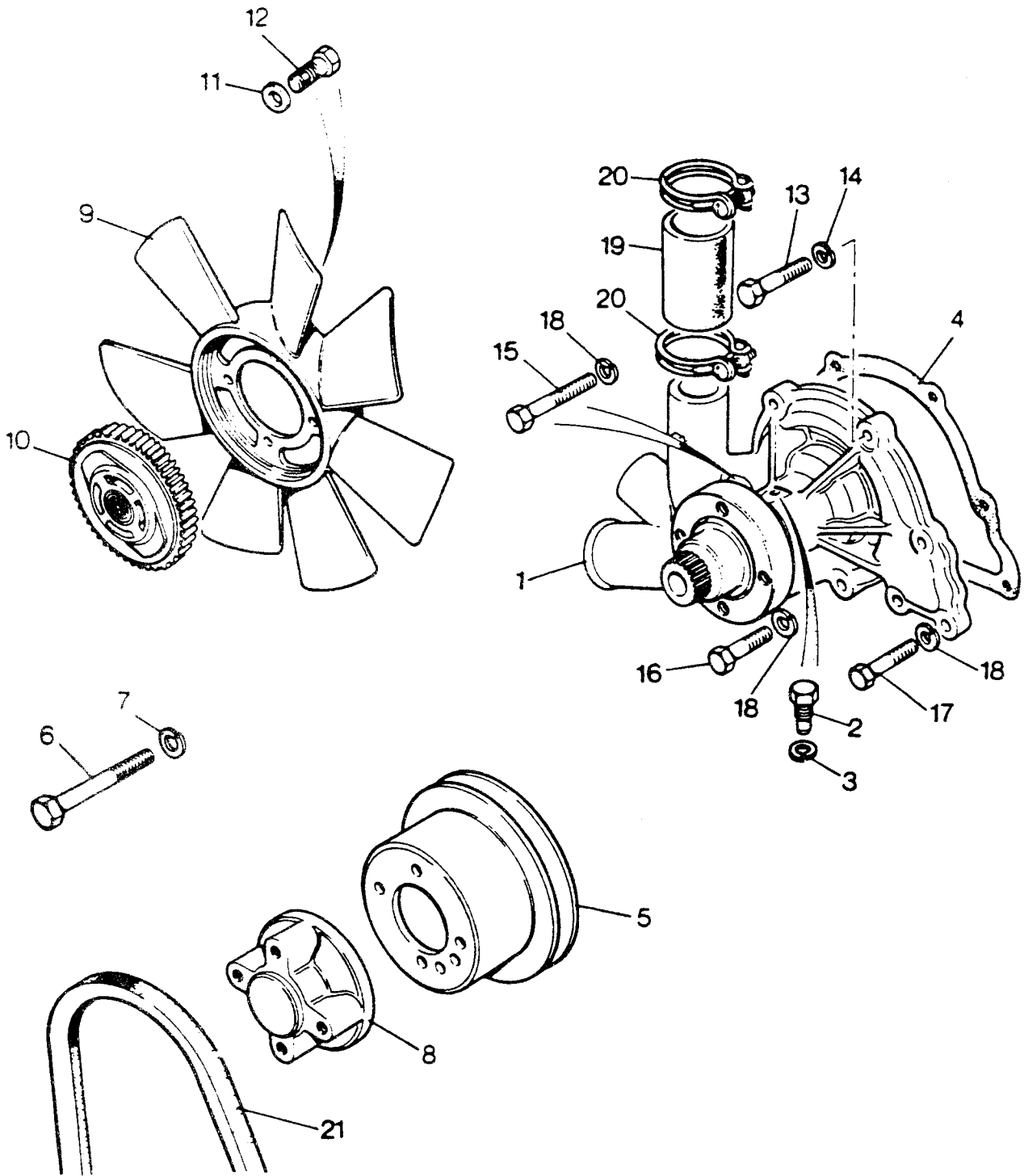
MODEL DEFENDER  
BLOCK TS 5001/B

MODULE EF066

ENGINE - FRONT COVER

ILL	PART NO	DESCRIPTION	QTY	REMARKS
1	ETC5672	Front Cover	1	
2	ETC5675	Plate-Front Cover	1	





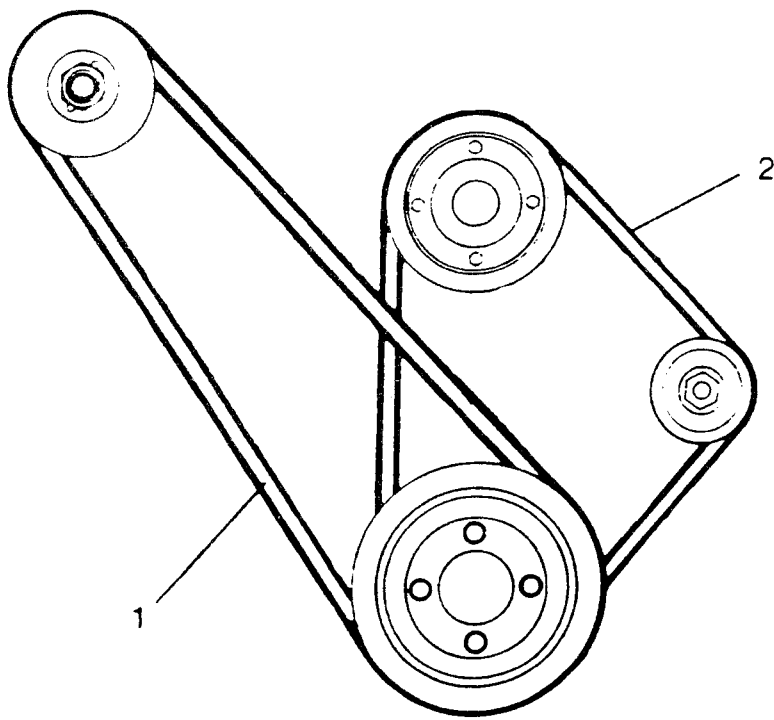
TS6195

MODEL DEFENDER  
BLOCK TS 6195

MODULE EF066

ENGINE - WATER PUMP - VISCOUS UNIT - FAN

ILL	PART NO	DESCRIPTION	QTY	REMARKS
1	RTC6332	Water Pump Assembly	1	
2	ERC5600	Bolt	1	
3	WL106001L	Washer-Spring	1	
4	ERC5655	Gasket	1	
5	ETC4785	Pulley	1	
6	SH108161L	Screw	4	
7	WL108001L	Washer-Spring	4	
8	ERC7489	Spacer-Pump to Fan	1	
9	ETC7554	Fan	1	
10	ETC7238	Viscous Unit	1	
11	4589L	Washer	4	
12	ERC5709	Bolt	4	
13	BH108061L	Bolt	3	
14	WL108001L	Washer-Spring	3	
15	BH108151L	Bolt	1	
16	BH108161L	Bolt	2	
17	BH108171L	Bolt	1	
18	WL108001L	Washer-Spring	4	
19	ERC5654	Hose-By Pass Outlet	1	
20	CN100408L	Clip-Hose	2	
21	ERC6886	Fan Belt	1	



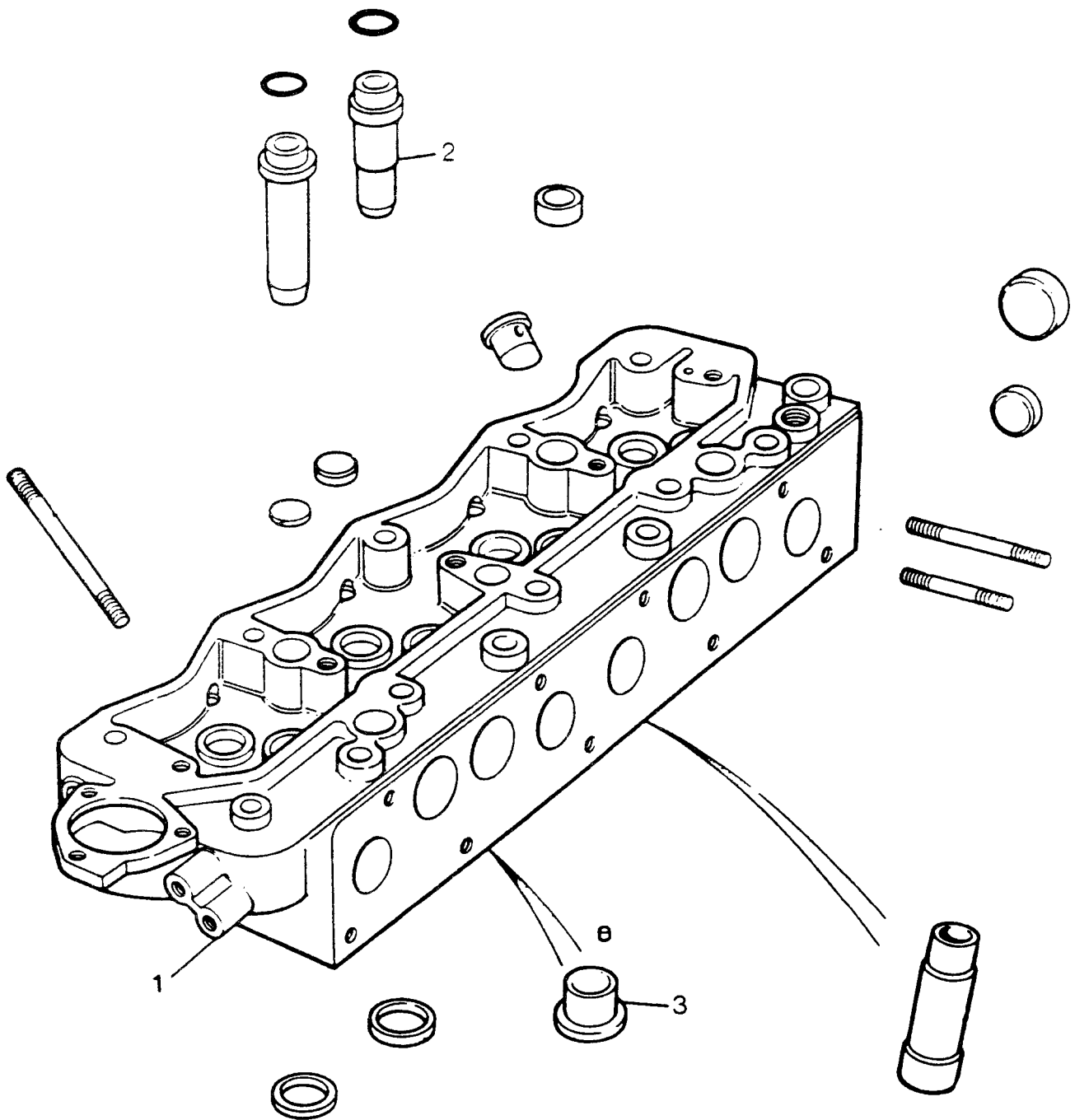
DM 014/A

MODEL DEFENDER  
BLOCK DM 014/A

MODULE EF066

ENGINE - ALTERNATOR & FAN BELT

ILL	PART NO	DESCRIPTION	QTY	REMARKS
1	532002	Drive Belt, Alternator 24V	1	
2	ERC6886	Drive Belt, Fan & Alternator 12V	1	



vs 4.95.A

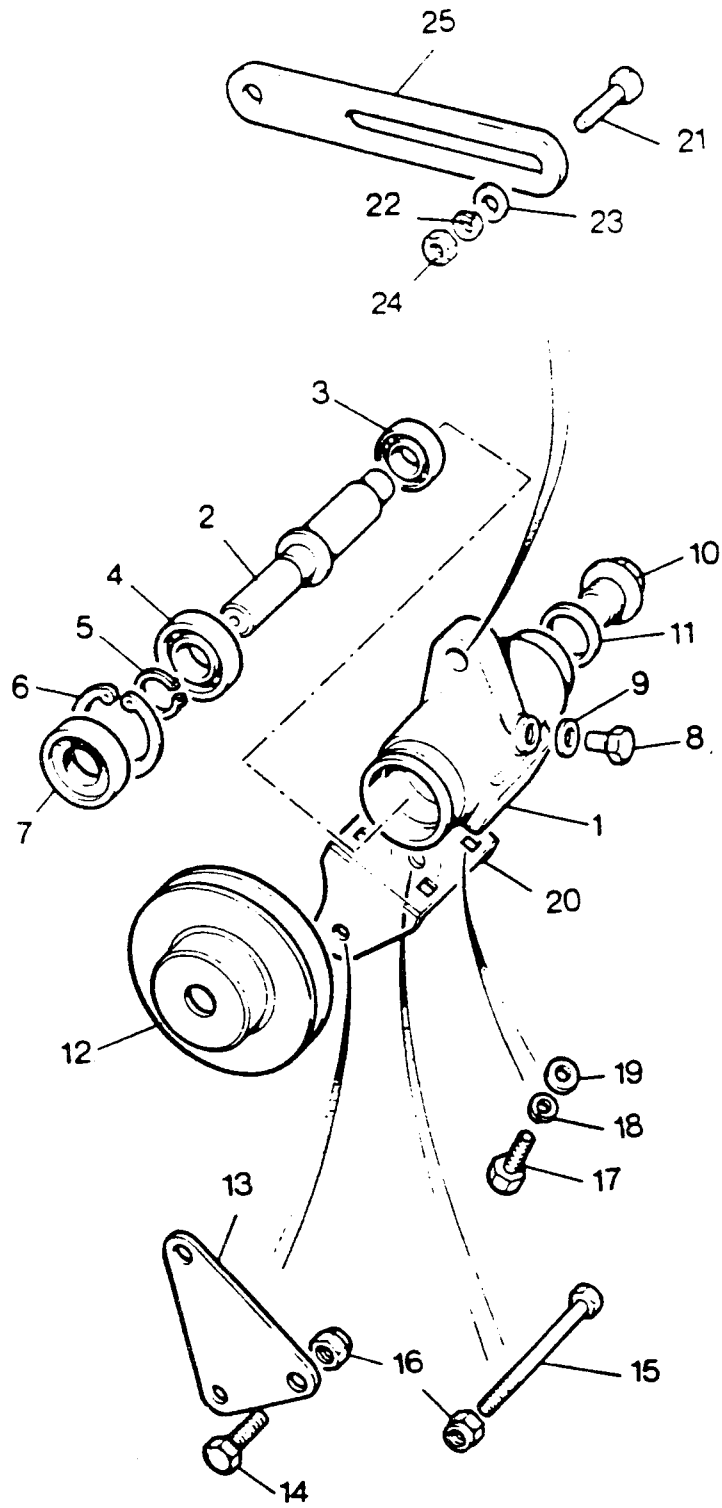
MODEL DEFENDER  
BLOCK VS 4198/A

MODULE EN098

ENGINE - CYLINDER HEAD - 2.5 DIESEL

ILL	PART NO	DESCRIPTION	QTY	REMARKS
1	ERR1567	Cylinder Head Assy	1	
2	ERR1483	Valve Guide-Exhaust	4	
3	ERR1223	Hot Plug	4	

NOTE: Engine Serial No. Prefix 11J.



TS 6238

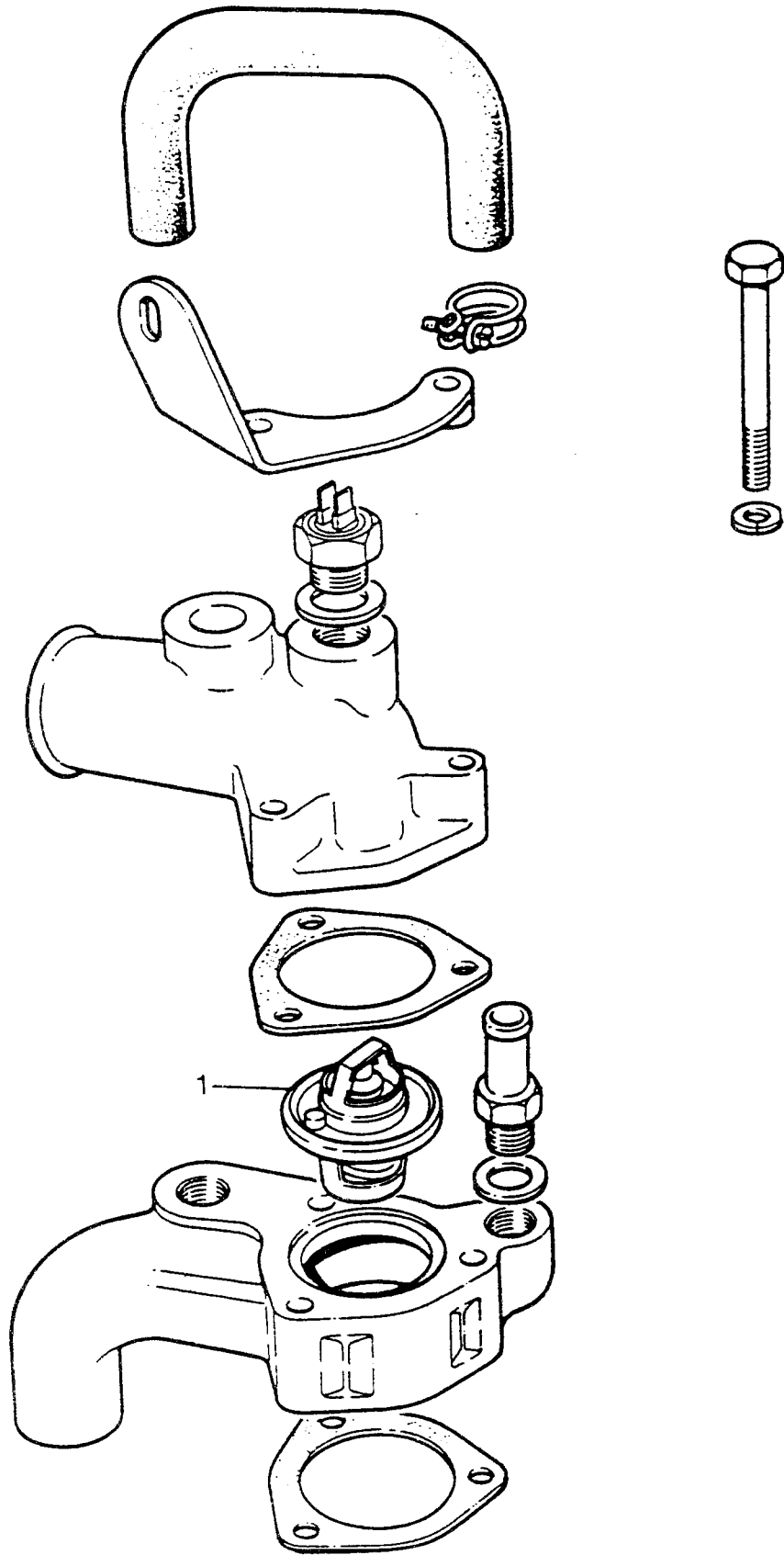
MODEL DEFENDER  
BLOCK TS 6238

MODULE EF066

ENGINE - IDLER ASSEMBLY, FAN BELT TENSIONER

ILL	PART NO	DESCRIPTION	QTY	REMARKS
1	541753	Idler Body	1	
2	532063	Spindle	1	
3	500388	Bearing-Inner	1	
4	529221	Bearing-Outer	1	
5	519241	Circlip	1	
6	529215	Circlip	1	
7	529223	Oil Seal	1	
8	255021	Bolt	1	
9	232038	Washer-Plain	1	
10	10713	Plug	1	
11	243960	Washer-Plug	1	
12	ERC6262	Pulley-Idler	1	
13	ERC6267	Bracket-Fan Belt Tensioner	1	
14	SH108201L	Bolt	1	
15	BH108181L	Bolt	1	
16	NY108041	Nut-Nyloc	2	
17	255226	Bolt	4	
18	WM600051L	Washer-Spring	4	
19	3830	Washer-Plain	4	
20	ERC6263	Bracket	1	
21	SH108301L	Bolt	1	
22	WL108001L	Washer-Spring	1	
23	2266L	Washer-Plain	1	
24	NH108041L	Nut	1	
25	ERC6266	Bracket-Idler Adjustment	1	





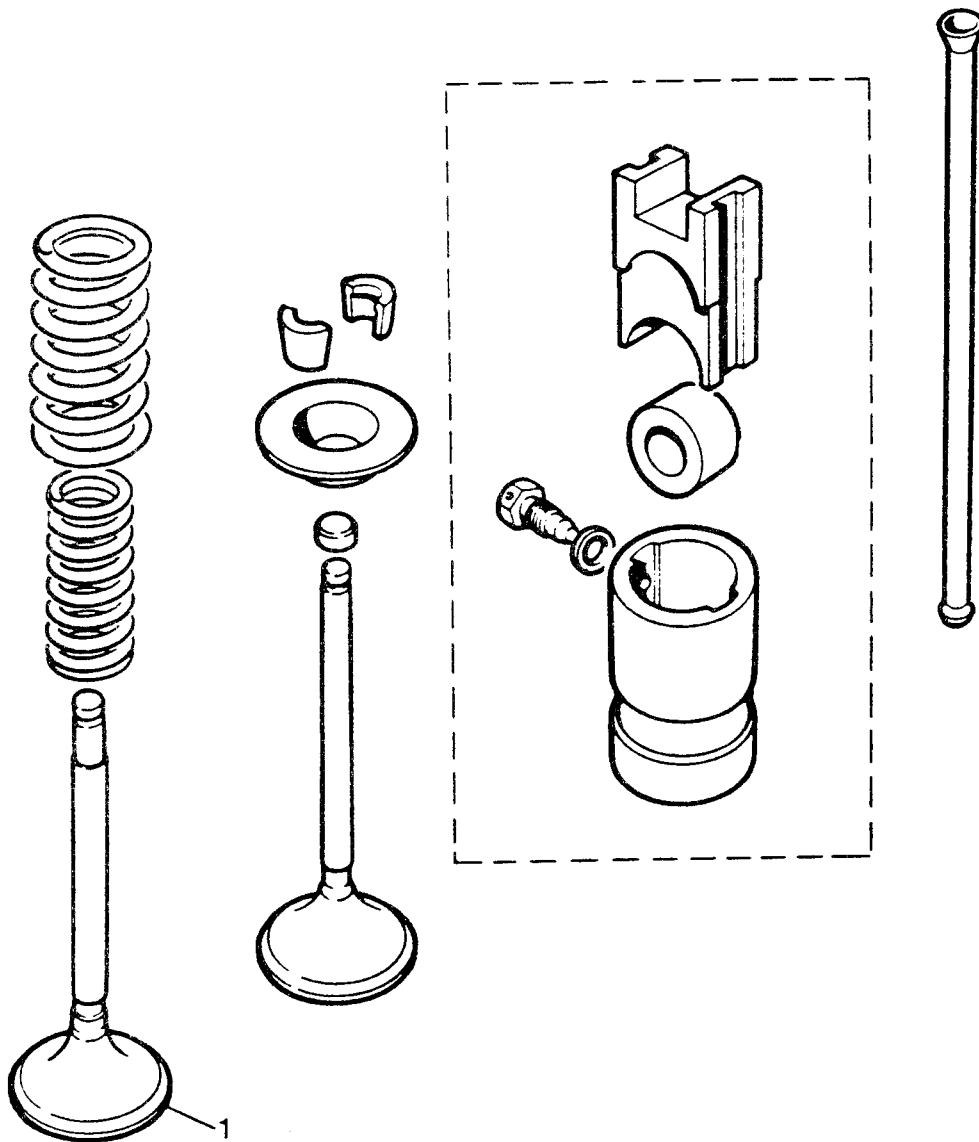
TS 6182

MODEL DEFENDER  
BLOCK TS 6182

MODULE N712F

ENGINE - THERMOSTAT (WINTERISED ONLY)

ILL	PART NO	DESCRIPTION	QTY	REMARKS
1	ERR831	Thermostat-88 Degrees	1	



TS 6491

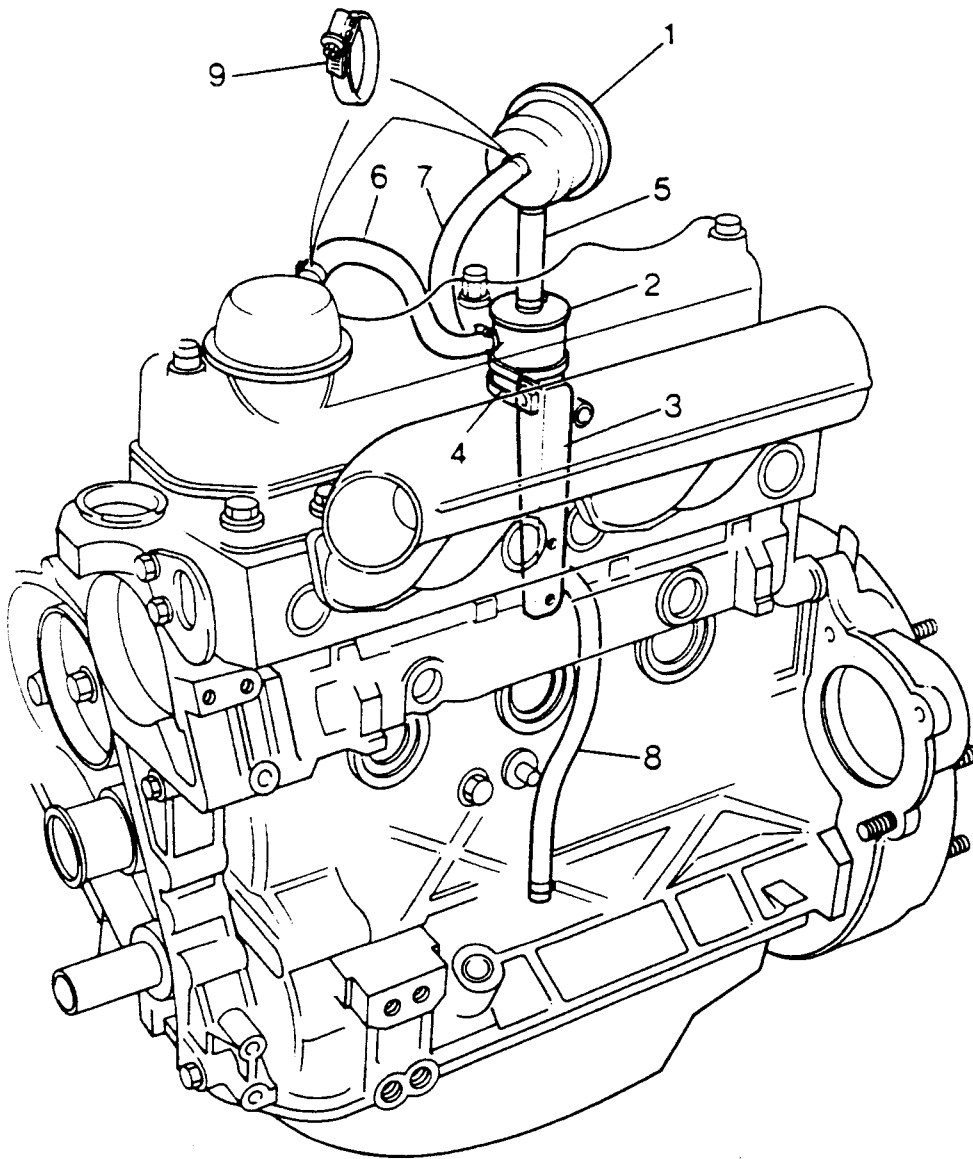
MODEL DEFENDER  
BLOCK TS 6489

MODULE EN098

ENGINE - VALVES - 2.5 DIESEL

ILL	PART NO	DESCRIPTION	QTY	REMARKS
1	ERR1224	Valve-Exhaust	4	

NOTE: Engine Serial No. Prefix 11J.



TS 6950

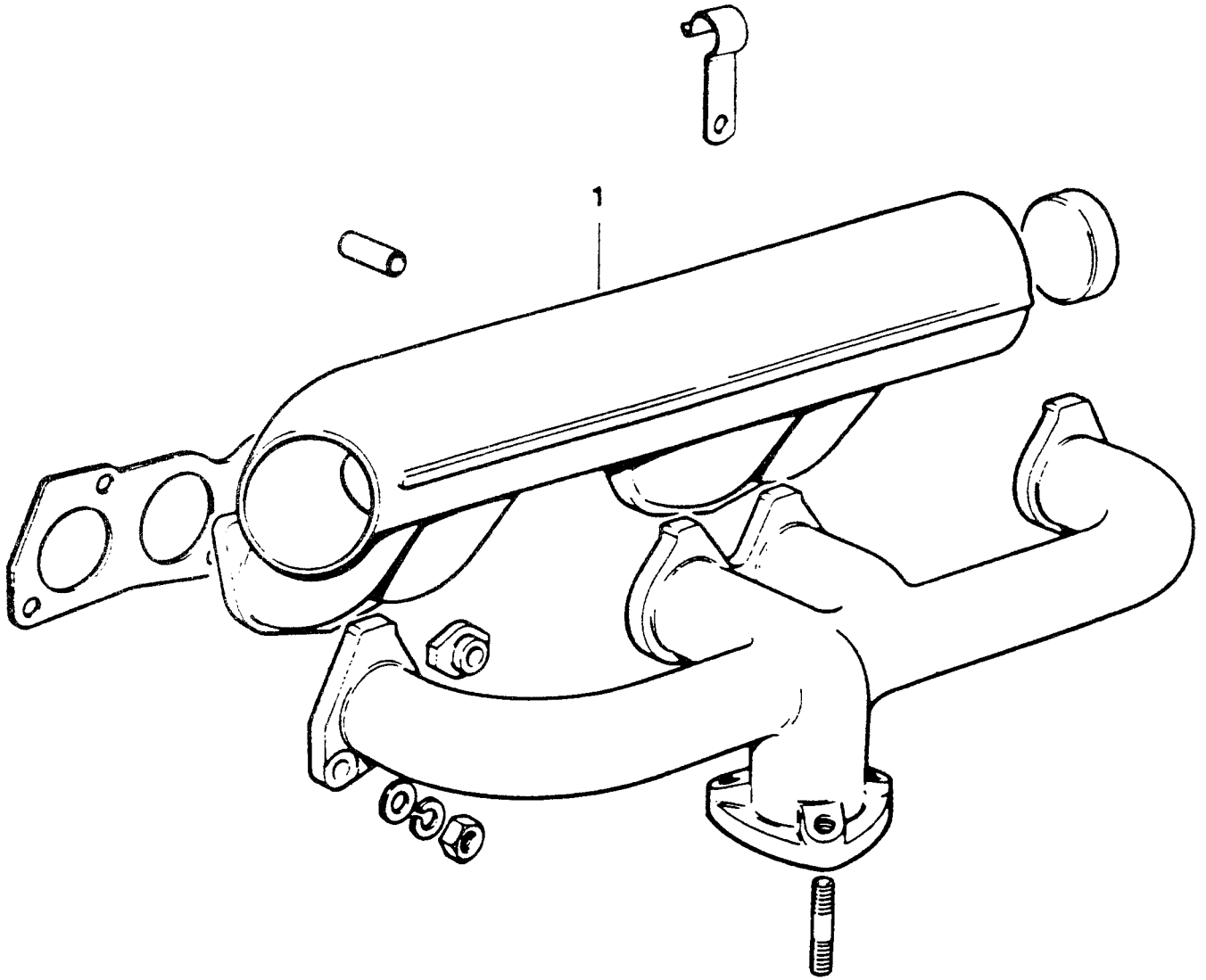
MODEL DEFENDER  
BLOCK TS 6950

MODULE EN098

ENGINE - BREATHER SYSTEM

ILL	PART NO	DESCRIPTION	QTY	REMARKS
1	ERR1468	Valve-Depression Control	1	
2	ERR1590	Breather Cyclone	1	
3	ERR1498	Bracket-Breather Cyclone	1	
4	ERR1684	Clip-Breather Cyclone to Bracket	1	
5	ERR1612	Hose-Breather Cyclone To Valve	1	
6	ERR412	Hose-Breather Cyclone To Rocker Cover	1	
7	ERR411	Hose-Valve to Inlet Manifold	1	
8	ERR1613	Hose-Breather Cyclone to Sump	1	
9	CN100258	Clip-Hose	8	

NOTE: Engine Serial No. Prefix 11J



VS 3831

MODEL DEFENDER  
BLOCK VS 3831

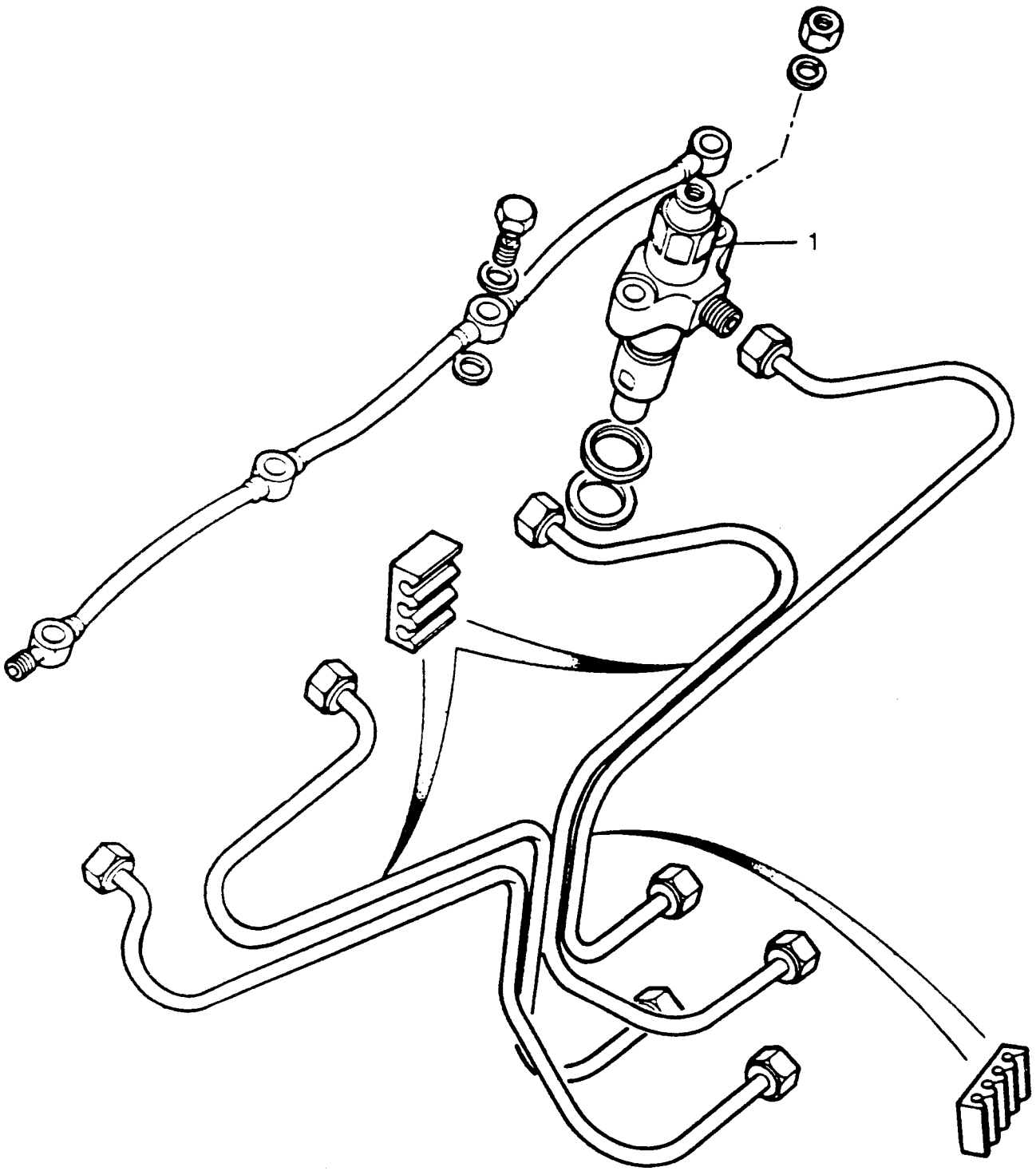
MODULE EN098

ENGINE - MANIFOLDS - 2.5 DIESEL

ILL	PART NO	DESCRIPTION	QTY	REMARKS
1	ERR1627	Inlet Manifold	1	

NOTE: Engine Serial No. Prefix 11J.





755°b3

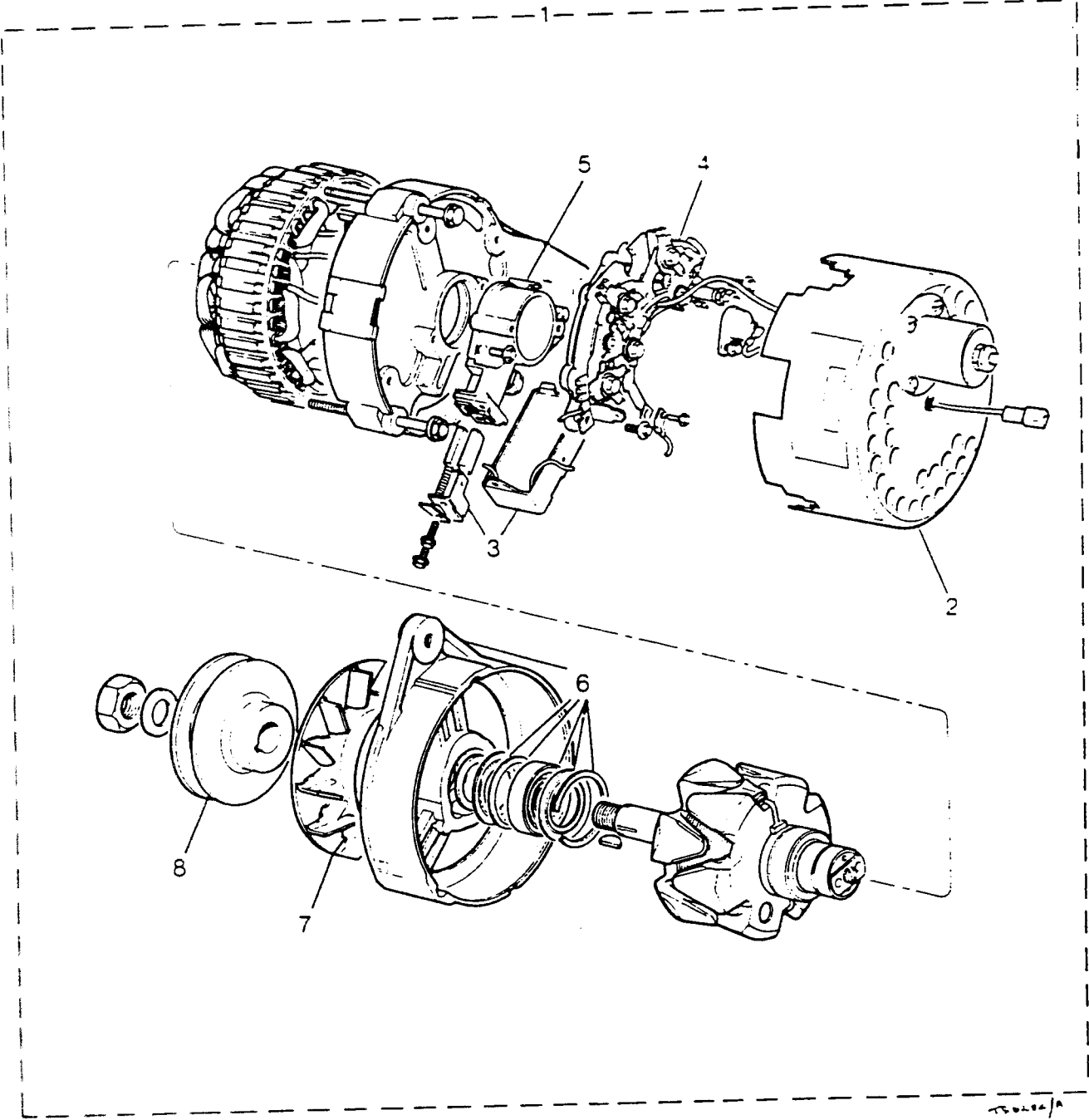
MODEL DEFENDER  
BLOCK TS 5763

MODULE EN098

ENGINE - INJECTOR - 2.5 DIESEL

ILL	PART NO	DESCRIPTION	QTY	REMARKS
1	ERR1266	Injector	4	

NOTE: Engine Serial No. Prefix 11J.

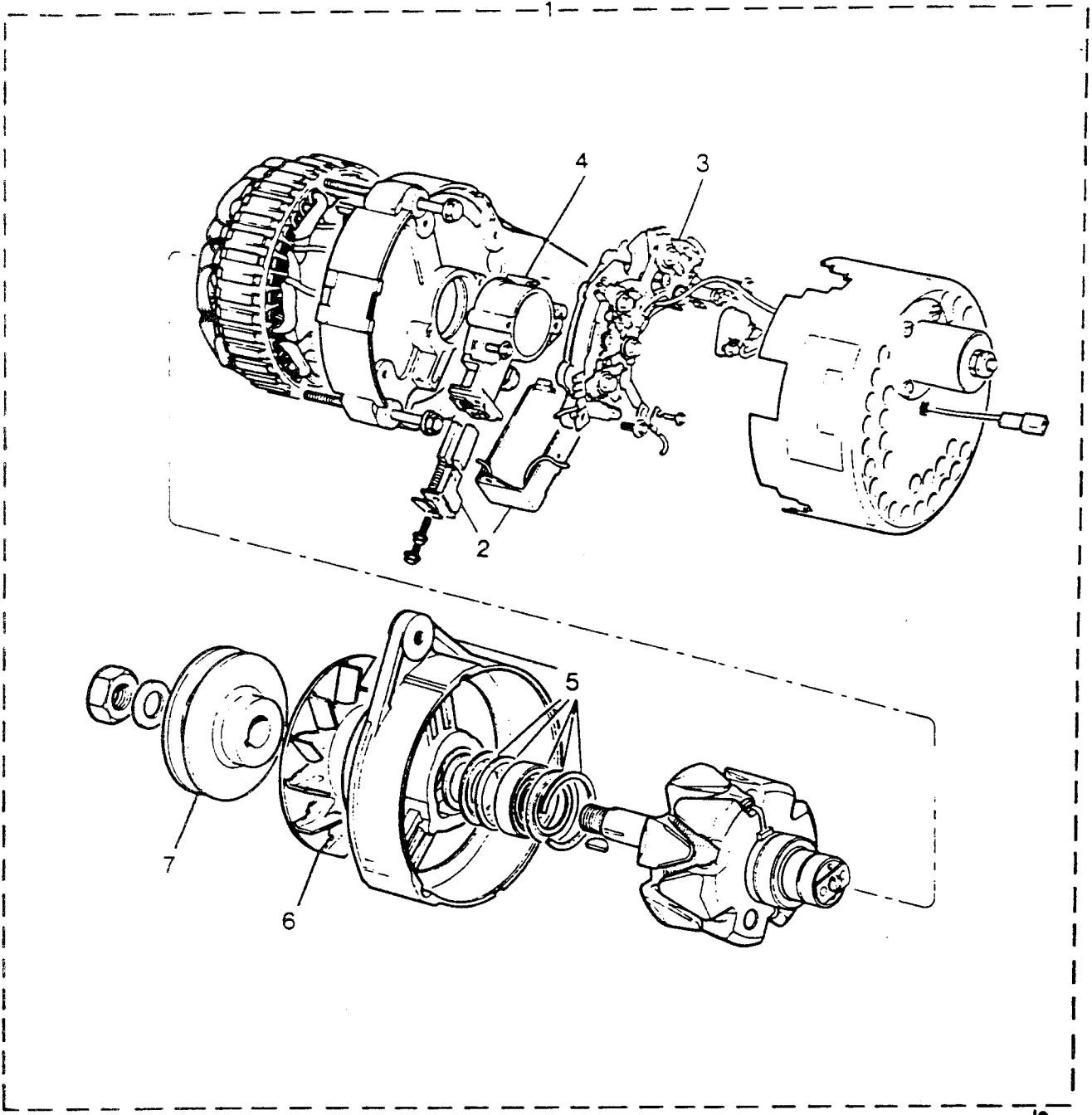


MODEL DEFENDER  
BLOCK TS 6284/A

MODULE AL025

ALTERNATOR 12 VOLT A127/45 SCREENED (12 x 24 VOLT ENGINE)

ILL	PART NO	DESCRIPTION	QTY	REMARKS
1	PRC6368	Alternator Assembly Complete With Screened Can	1	
2	RTC4888	Screening Can Kit	1	
3	RTC5044	Regulator & Brush Box Assy	1	
4	RTC5045	Rectifier	1	
5	RTC5047	Bearing Slip Ring End	1	
6	RTC5688	Bracket & Bearing-Drive End	1	
	RTC5046	Kit-Through Bolts	1	
7	RTC5685	Fan	1	
8	RTC5686	Pulley	1	
	RTC5689	Spacer-Pulley	1	

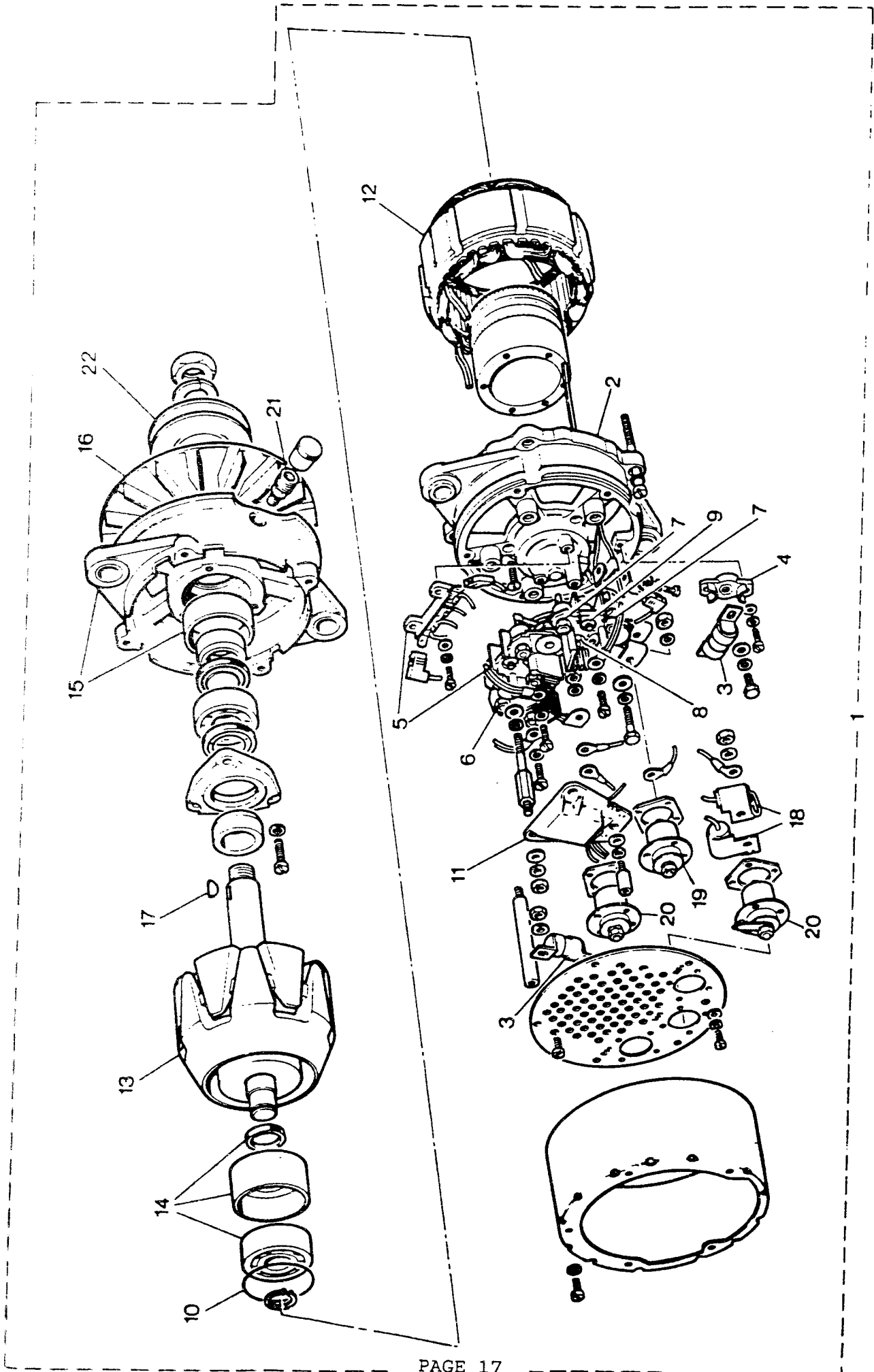


MODEL DEFENDER  
BLOCK TS 6284/B

MODULE AL058

ALTERNATOR 12 VOLT A127/65 SCREENED (12 x 24 VOLT ENGINE)

ILL	PART NO	DESCRIPTION	QTY	REMARKS
1	RRC5244	ALTERNATOR	1	
2	RTC5670	Regulator & Brush Box	1	
3	RTC5671	Rectifier	1	
4	RTC5926	Bearing-Slip Ring End	1	
5	RTC5687	Bracket & Bearing-Drive End	1	
	RTC5925	Kit-Through Bolts	1	
6	AAU2249	Fan	1	
7	RTC5686	Pulley	1	
	RTC5689	Spacer-Pulley	1	



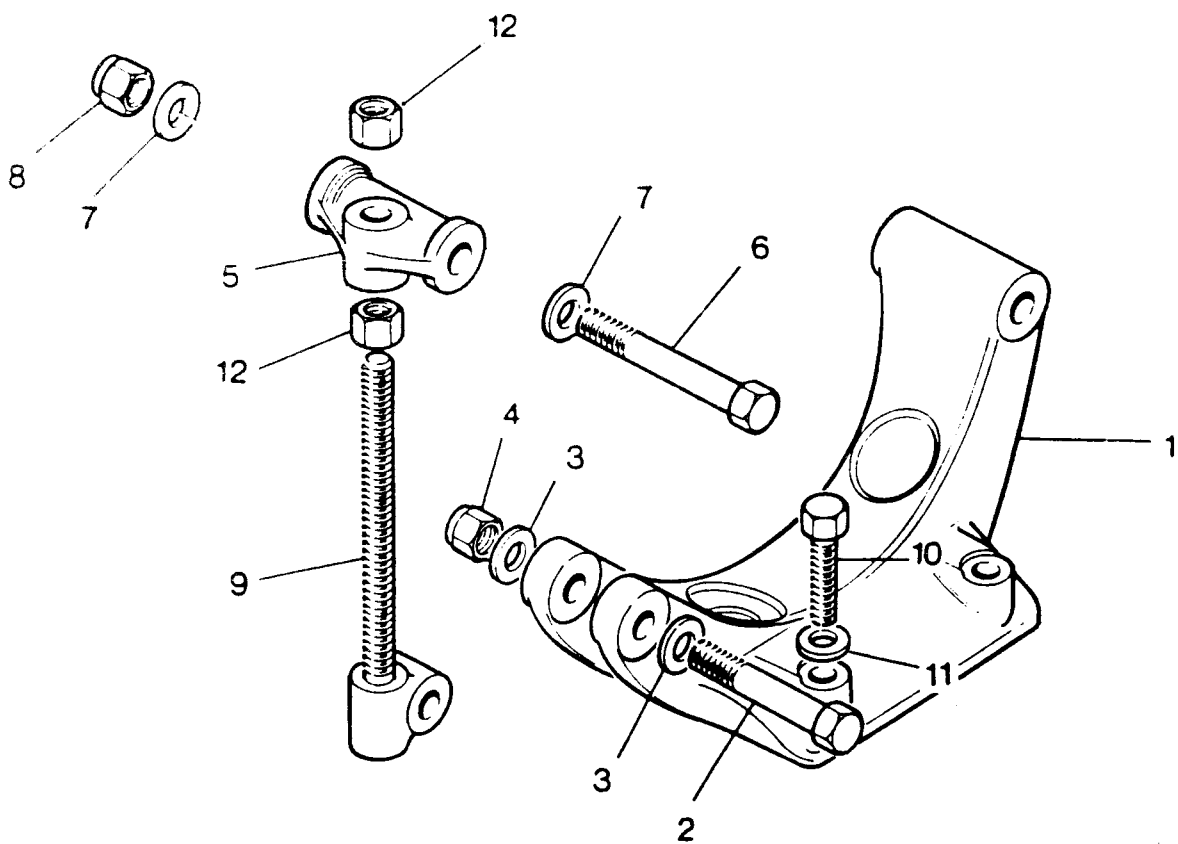
MODEL DEFENDER  
BLOCK DM 015

MODULE AL025

ALTERNATOR 24 VOLT 90 AMP (BRUSHLESS)

ILL	PART NO	DESCRIPTION	QTY	REMARKS
1	PRC5253	ALTERNATOR	1	
2	RTC4881	Endshield R.E.	1	
3	RTC4873	Fuse	2	
4	RTC4880	Fuse-Terminal	1	
5	RTC4879	Heat Sink & Diode Assembly	1	
6	RTC4878	Heat Sink	3	
7	RTC4871	Diode Kit (Anode Base)	6	
8	RTC4872	Diode Kit (Cathode Base)	3	
9	RTC4870	Diode Kit (Field)	3	
10	RTC4868	Sealing Ring for Endshield R.E.	1	
11	RTC4886	Regulator	1	
12	RTC4874	Stator	1	
13	RTC4875	Rotor	1	
14	RTC4884	Bearing	1	
15	RTC4882	Endshield D.E	1	
16	RTC4883	Fan	1	
17	RTC1360	Key	1	
18	RTC4885	Capacitor, on Endshield R.E	2	
19	RTC4877	Capacitor, on Plate Cover	1	
20	RTC4876	Capacitor, on Plate Cover	2	
21	RTC4869	Nipple-Lubricator	1	
22	ETC5047	Pulley	1	



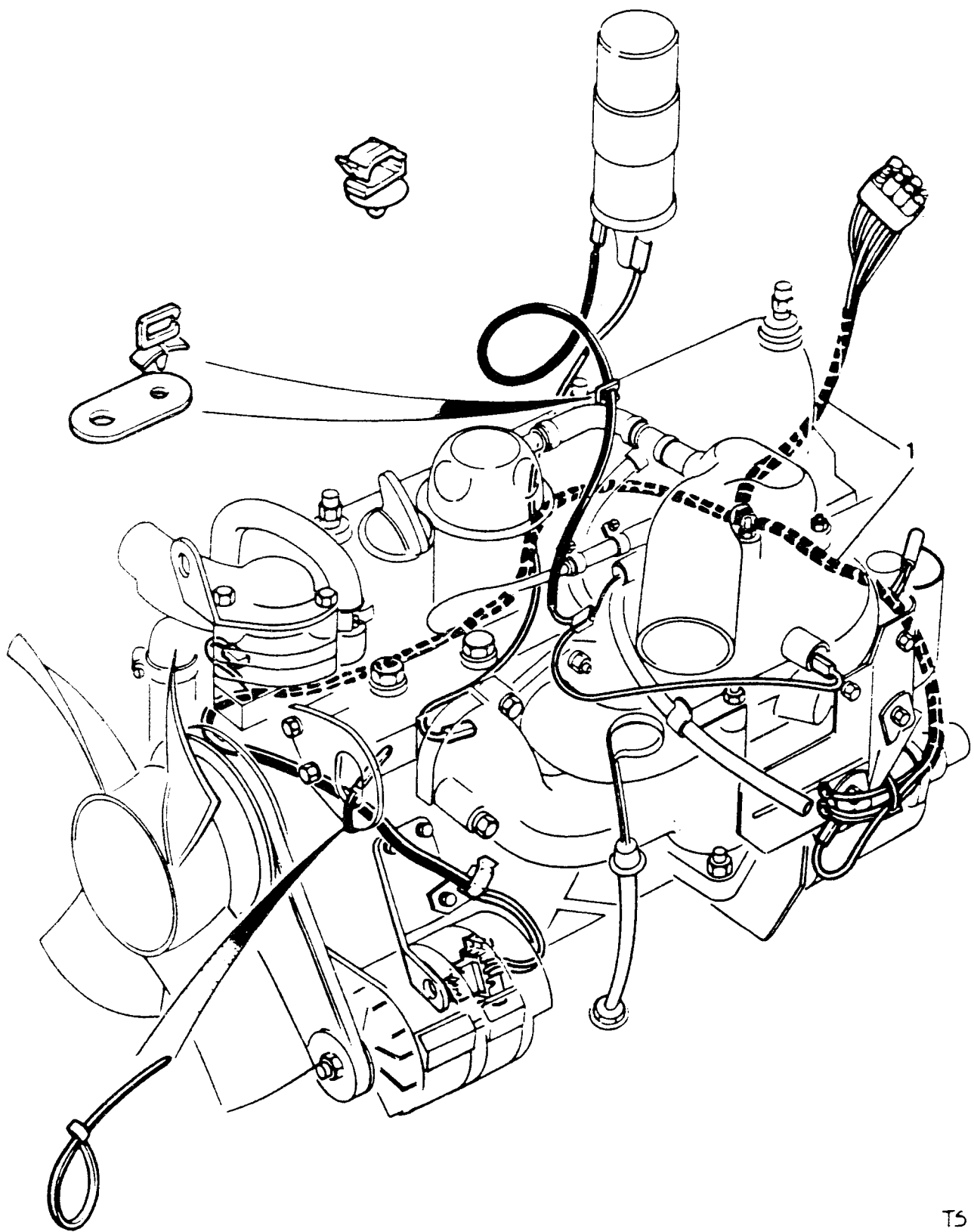


MODEL DEFENDER  
BLOCK TS 5716

MODULE ALO25

ENGINE - ALTERNATOR MOUNTINGS 24 VOLT

ILL	PART NO	DESCRIPTION	QTY	REMARKS
1	ETC5680	Alternator Mounting Bracket	1	
2	BH112261L	Bolt	1	
3	WA112081L	Washer Plain	2	
4	NY112041L	Nyloc Nut	1	
5	ETC5389	Adjustment Bar	1	
6	BH112241L	Bolt	1	
7	WA112081L	Washer Plain	2	
8	NY112041L	Nyloc Nut	1	
9	ETC7287	Adjusting Rod Assembly	1	
10	BH112151L	Bolt	1	
11	WA112081L	Washer Plain	2	
12	ETC7641	Nyloc Nut	1	
	ETC5357	Bracket Rear Support Alternator	1	



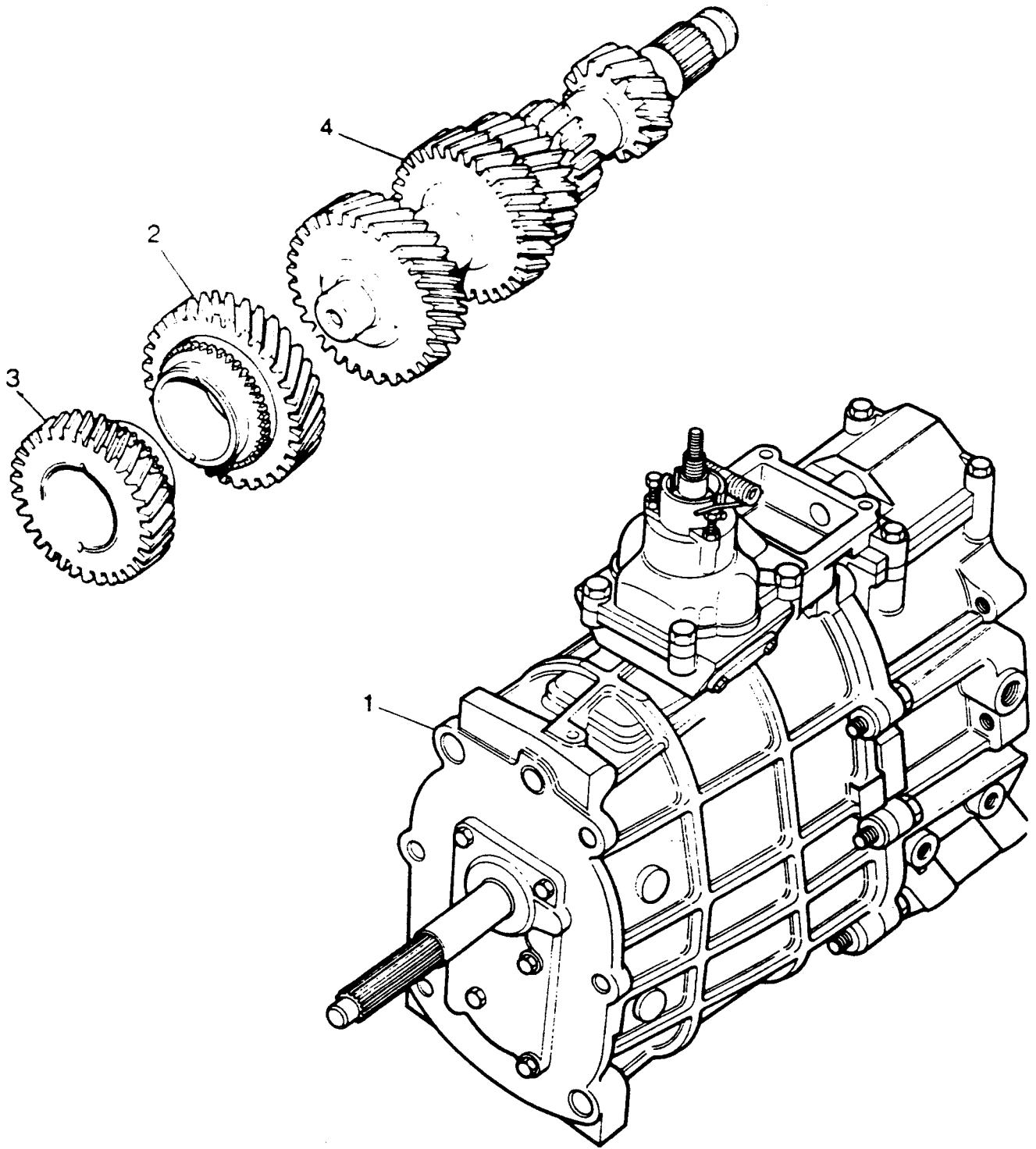
TS 5:75

MODEL DEFENDER  
BLOCK TS 5175/B

MODULE EL124

ENGINE - HARNESS (12/24 VOLT ENGINE)

ILL	PART NO	DESCRIPTION	QTY	REMARKS
1	PRC5494	Harness-Engine	1	



TS 5039

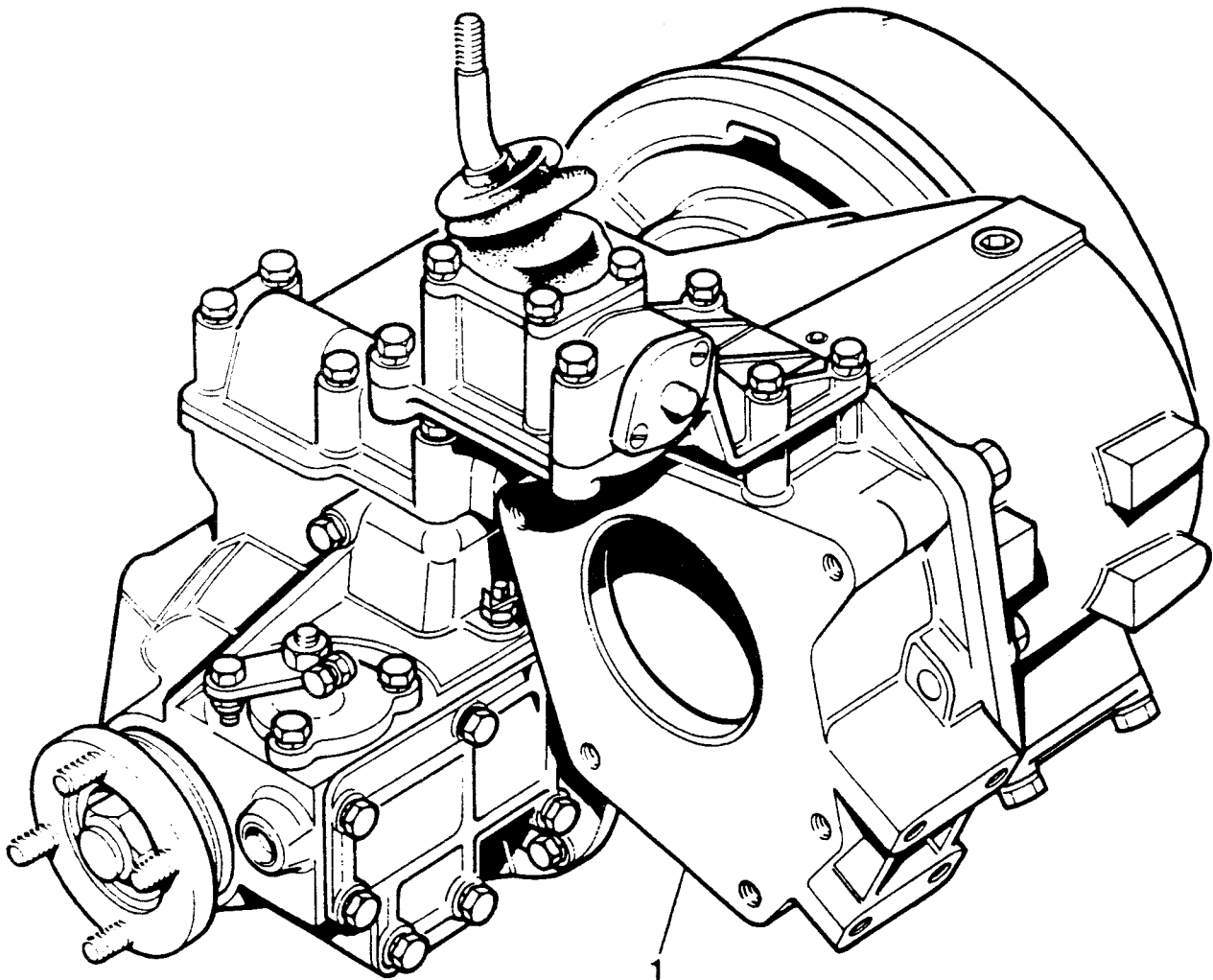
MODEL DEFENDER  
BLOCK TS 5039

MODULE GB040  
GB080

GEARBOX - GEARBOX ASSEMBLY (LOW RATIO) 5 SPEED

ILL	PART NO	DESCRIPTION	QTY	REMARKS
1	STC326N	Gearbox Assembly	1	51A Prefix
2	FTC924	Gear-1st Speed	1	Suffix G
	FTC1989	Gear-1st Speed	1	Suffix H
3	FTC1412	Gear-2nd Speed	1	Suffix G
	FTC1761	Gear-2nd Speed	1	Suffix H
4	FTC1417	Gear-Layshaft Cluster	1	Suffix G Onwards

The above details differ from the Civilian Gearbox, for remainder of Gearbox details refer to Civilian Parts Catalogue



VS3742/A

MODEL DEFENDER  
BLOCK VS 3742A

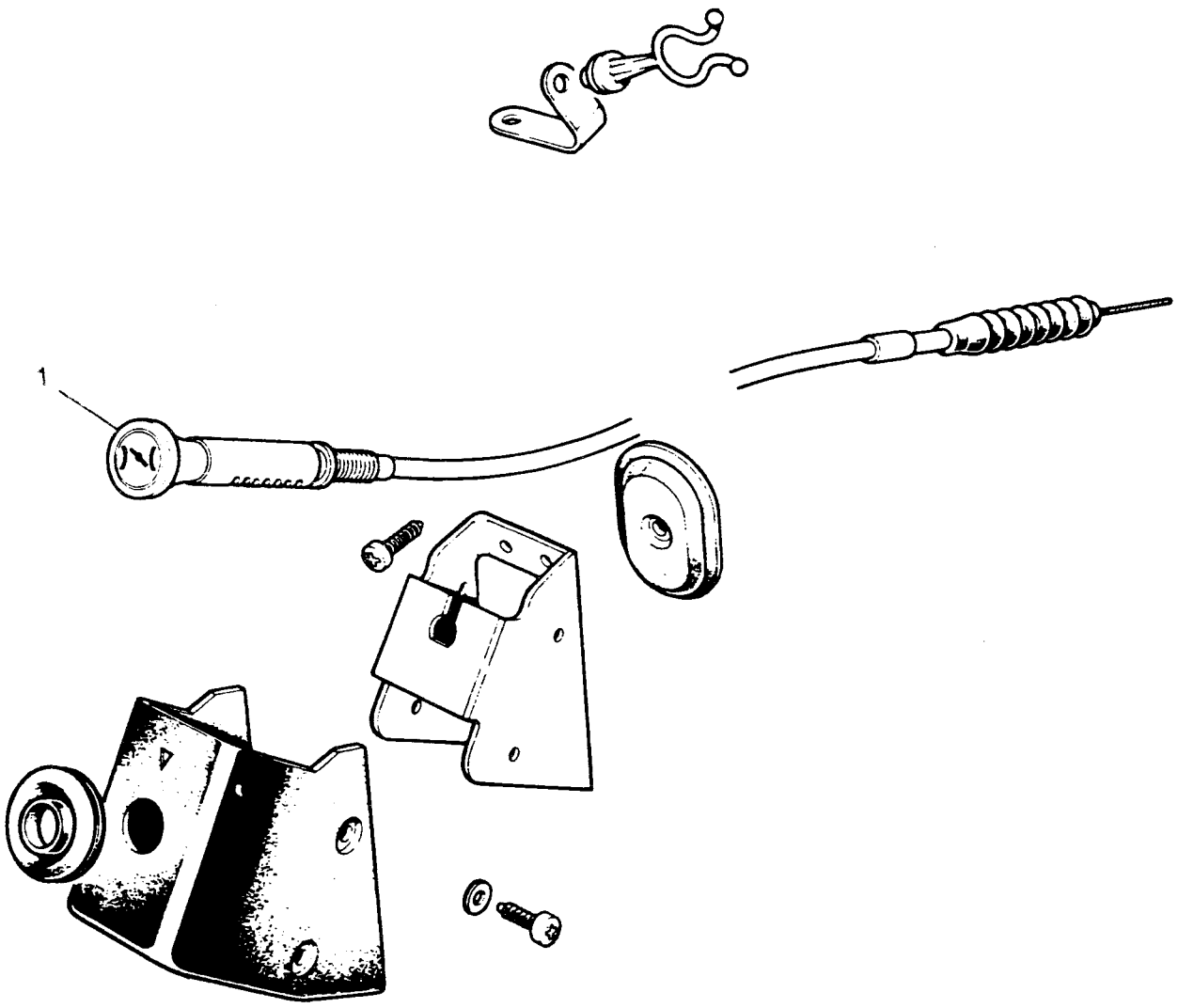
MODULE TB008

GEARBOX - TRANSFER BOX (230T)

ILL	PART NO	DESCRIPTION	QTY	REMARKS
1	FRC9469	Transfer Box Assembly	1	Serial Prefix 20D

For Breakdown of Transfer Box Assembly Refer to Civilian Parts  
Catalogue





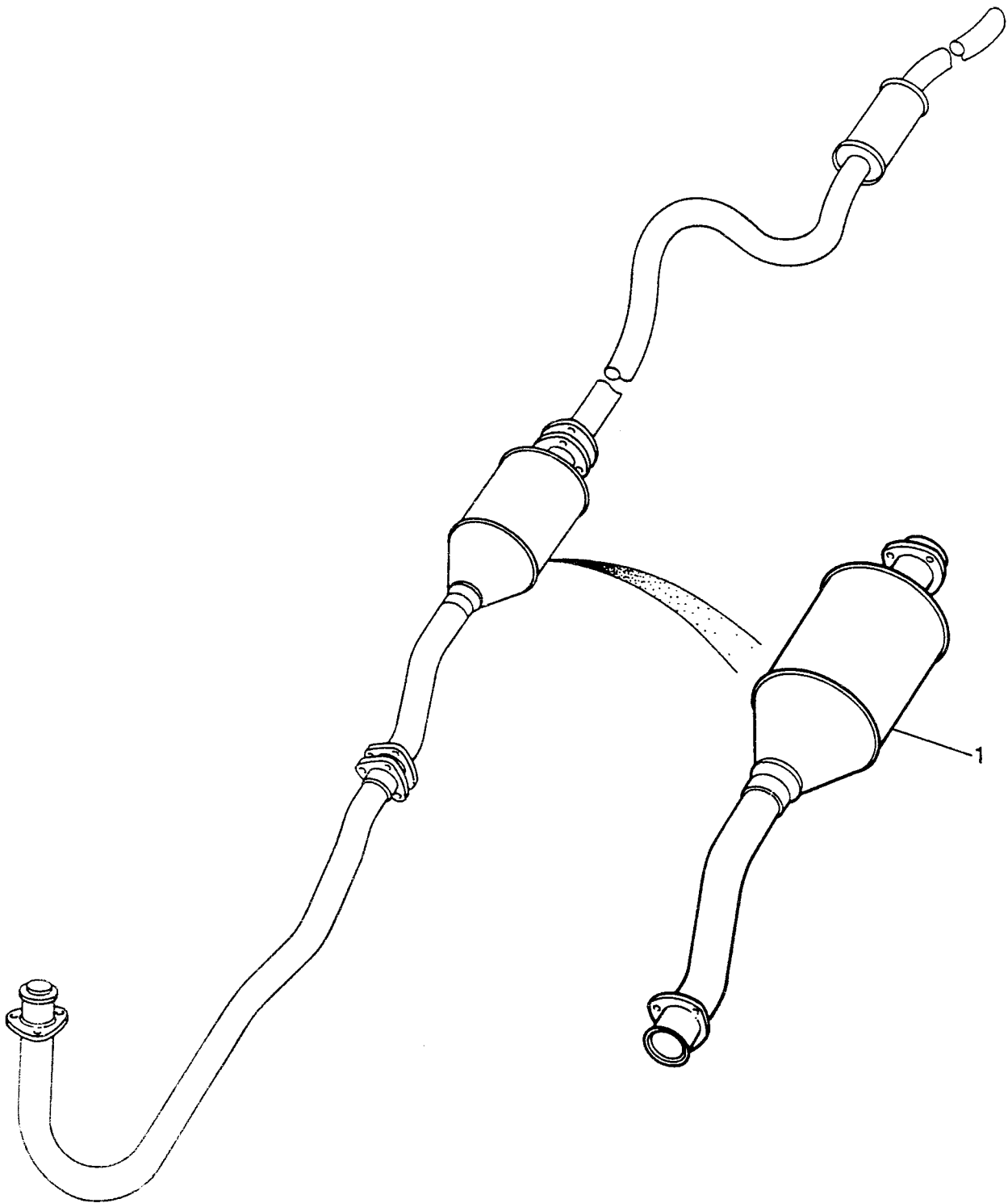
VS4-033

MODEL DEFENDER  
BLOCK VS 4033

MODULE N646F

ENGINE CONTROLS - HAND THROTTLE

ILL	PART NO	DESCRIPTION	QTY	REMARKS
1	NTC3483	Cable - Hand Throttle Control	1	R.H.S.



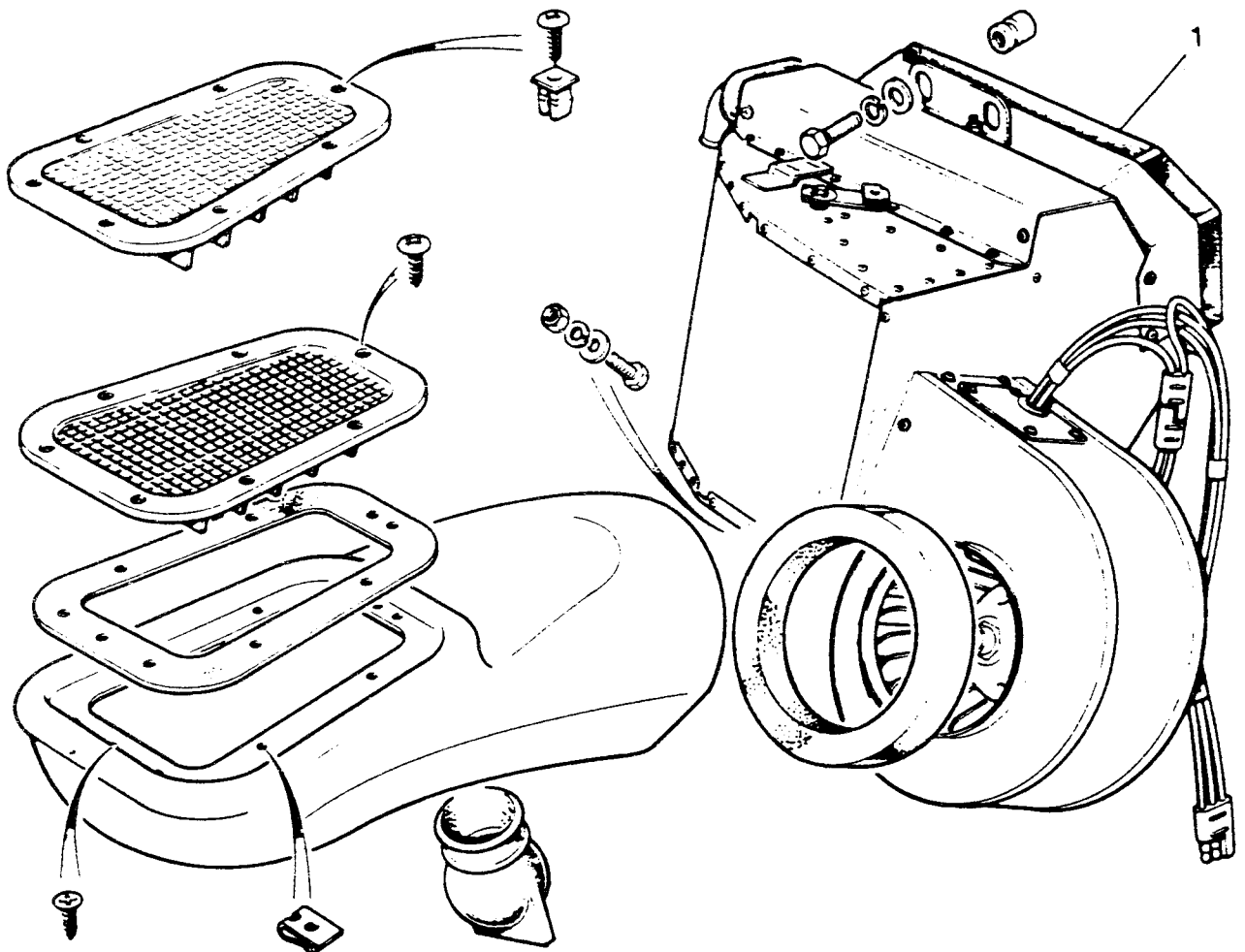
TS 0954

MODEL DEFENDER  
BLOCK TS 6954

MODULE EX064

EXHAUST - SPARK ARRESTOR

ILL	PART NO	DESCRIPTION	QTY	REMARKS
1	RRC7343	Spark Arrestor	1	



VS 4070A

MODEL DEFENDER  
BLOCK VS 4070/A

MODULE HV045  
HV044

HEATING SYSTEM - HEATER ASSEMBLY (SUPPRESSED) 12 x 24 VOLT

ILL	PART NO	DESCRIPTION	QTY	REMARKS
1	RRC3525	Heater Assembly	1	RH Stg:Note(1)
	BTR1118	Heater Assembly	1	RH Stg:Note(2)
	RRC3524	Heater Assembly	1	LH Stg:Note(3)
	BTR1119	Heater Assembly	1	LH Stg:Note(4)

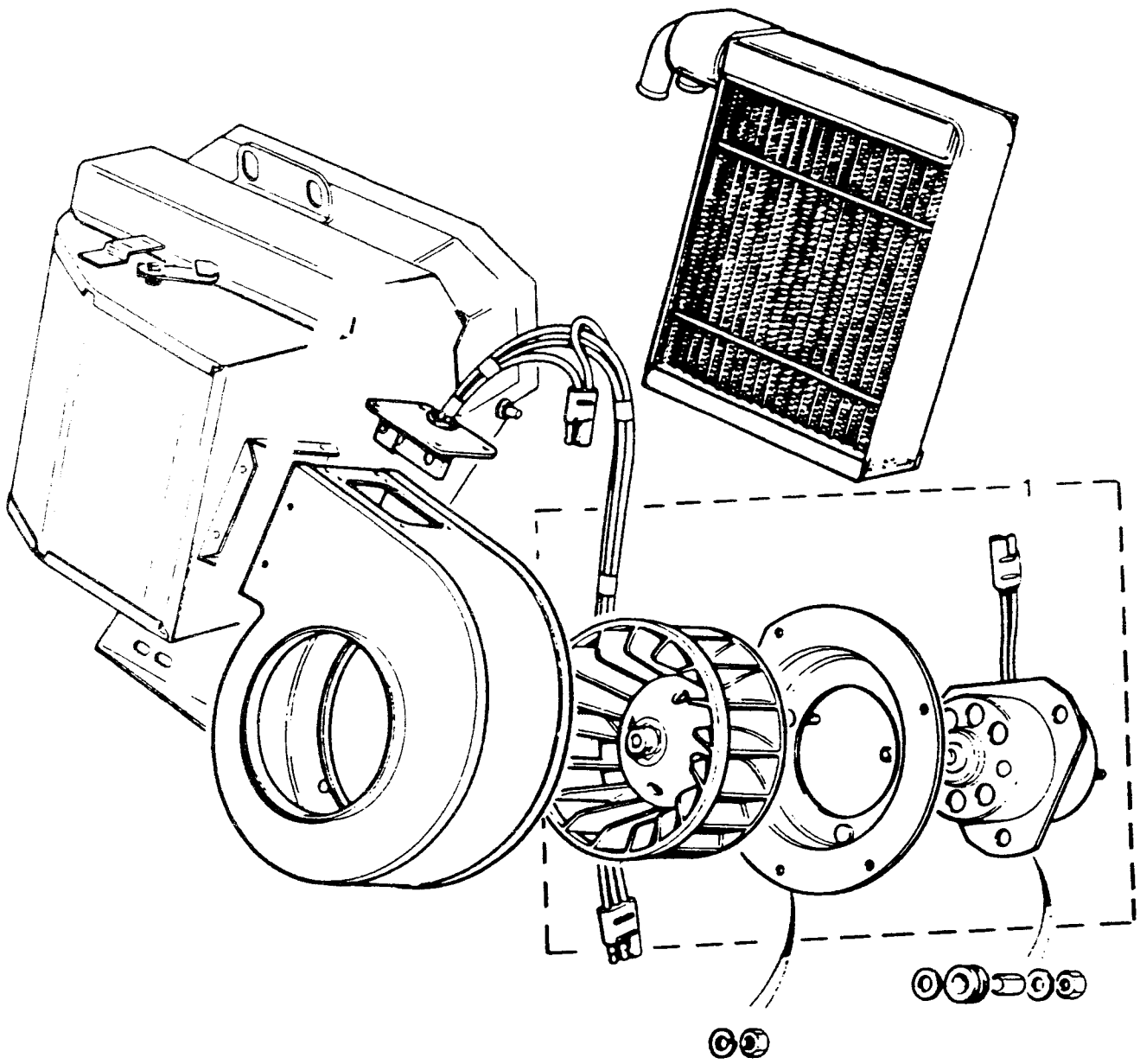
NOTE(1): Fitted To Contract Items  
27, 36, 38, 40

NOTE(2): Fitted To Contract Item 49

NOTE(3): Fitted To Contract Items  
28, 37, 41

NOTE(4): Fitted To Contract Item 50

Module HV045 - RH Stg  
Module HV044 - LH Stg



vs-072/c

MODEL DEFENDER  
BLOCK VS 4072/C

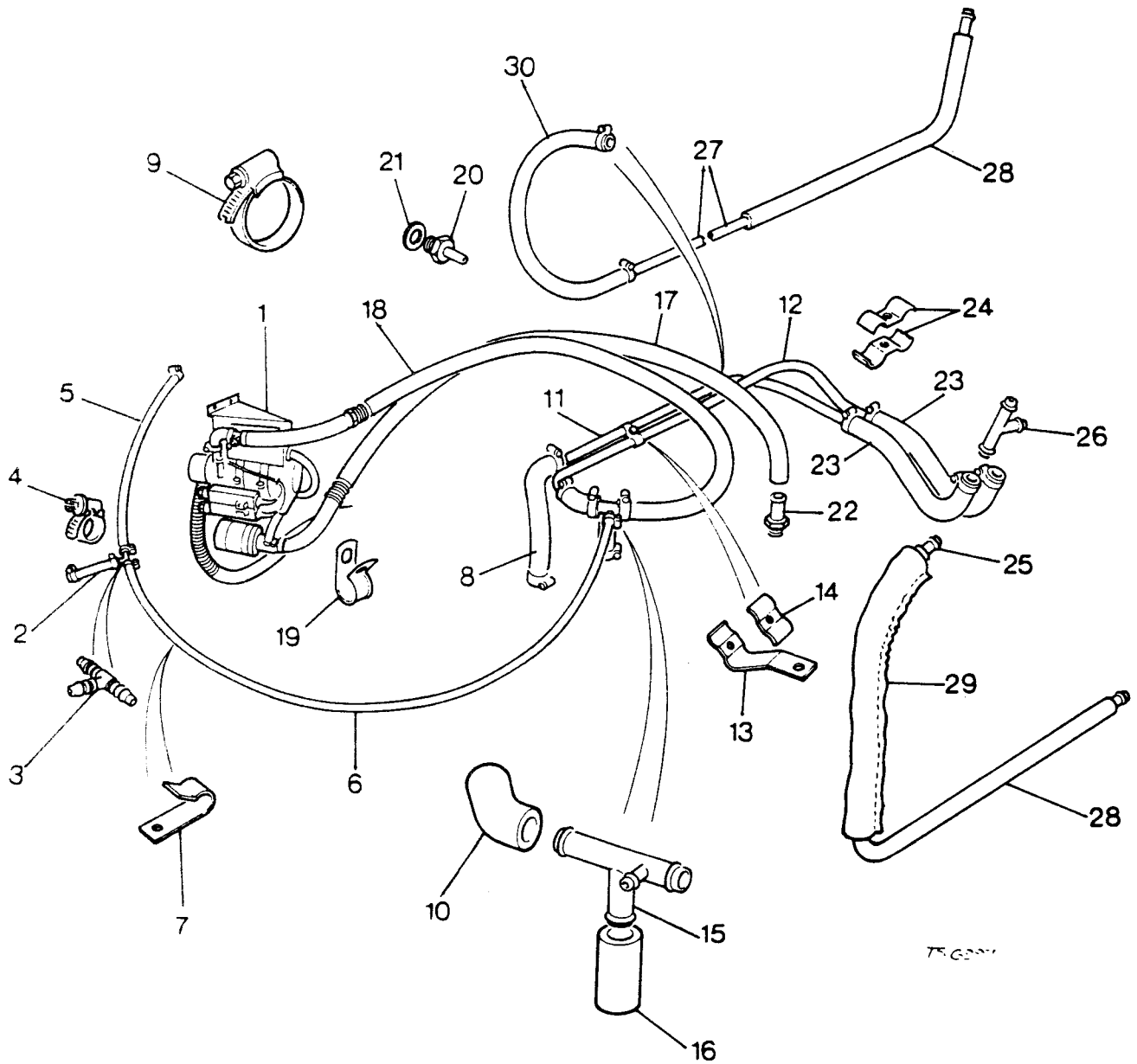
MODULE HV045  
HV044

HEATING SYSTEM - HEATER MOTOR (SUPPRESSED) 12 x 24 VOLT

ILL	PART NO	DESCRIPTION	QTY	REMARKS
1	UTP1267	Motor and Rotor Assy	1	RH Stg)Part of
	UTP1268	Motor and Rotor Assy	1	LH Stg)Heater )Assembly

Module HV045 - RH Stg  
Module HV044 - LH Stg





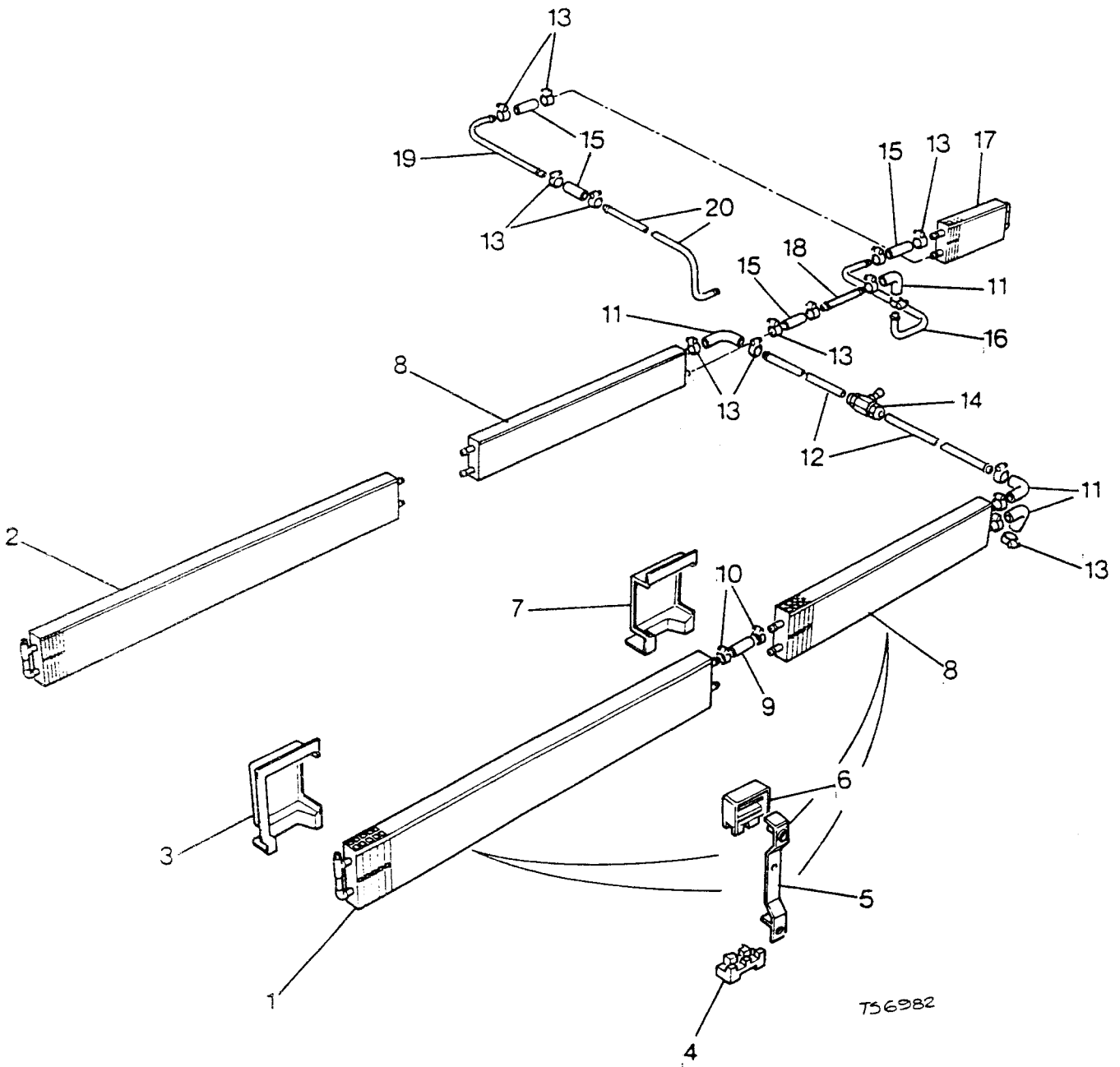
75-6200

MODEL DEFENDER  
BLOCK TS 6997

MODULE HV054

HEATING SYSTEM - ENGINE PRE-START & REAR HEATER  
(ENGINE COMPARTMENT ITEMS)

ILL	PART NO	DESCRIPTION	QTY	REMARKS
1	RRC7142	Heater Assembly	1	Engine Pre-Start
2	RRC7499	Hose-'T' Piece to Radiator	1	
3	RRC7501	'T' Piece	1	
4	CN100168L	Clip-Hose	4	
5	RRC7500	Hose-'T' Piece to Expansion Tank	1	
6	RRC7498	Hose-Bleed-4 Way to 'T' Piece	1	
7	NRC2383	'P' Clip-Hose	1	
8	NRC6306	Hose-Engine Feed & Return	1	
9	CN100308L	Clip-Hose	A/R	
10	RRC7525	Hose-4 Way	1	
11	RRC7335	Pipe-Heater Return	1	
12	NRC6307	Pipe-Heater Feed	1	
13	NRC6418	Clip-Mounting	1	
14	NRC6419	Clip-Saddle	1	
15	RRC7496	Connector-4 Way	1	
16	RRC7060	Hose-4 Way to Thermostat Hsg	1	
17	RRC7512	Hose-Engine Rear to Heater Coupling	1	
18	RRC7539	Hose-4 Way Connector to Heater Coupling	1	
19	CP106251	'P' Clip-Hose	3	
20	RRC5668	Adaptor-Fuel Filter	1	
21	517706	Washer-Adaptor	1	
22	RRC7504	Adaptor-Hose to Engine-Rear	1	
23	NRC6308	Hose-Heater Feed/Return	2	
24	NTC6847	Clip-Saddle	2	
25	RRC7367	Pipe-Feed	1	
26	RRC7366	'T' Piece	1	
27	RRC7371	Pipe-Return	1	
28	RRC7364	Insulation-Pipe	A/R	
29	RRC7435	Sleeve-Heatshield	1	
30	RRC5673	Hose-to Return Pipe	1	



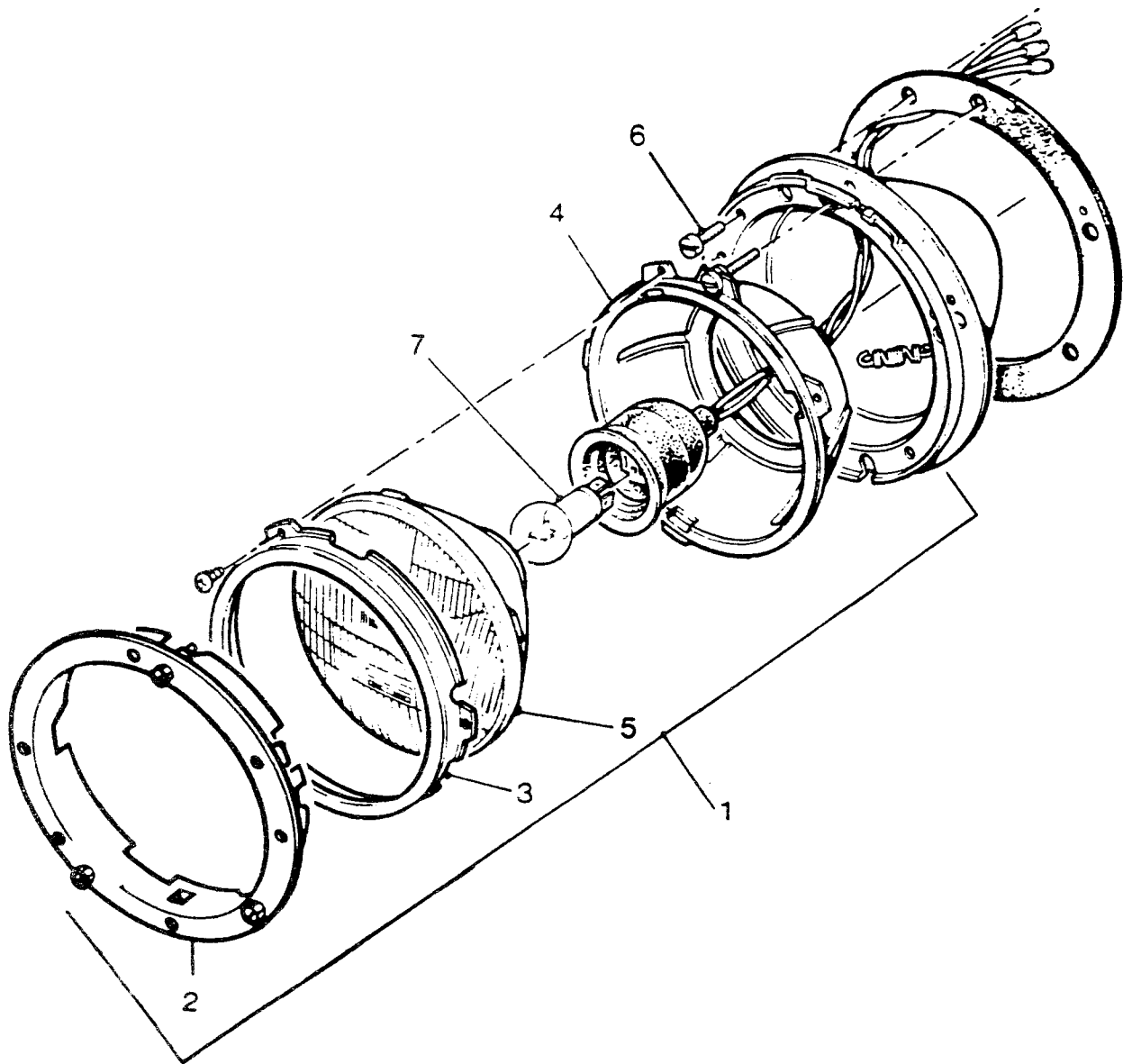
T56982

MODEL DEFENDER  
BLOCK TS 6982

MODULE HV054

HEATING SYSTEM - REAR HEATER (REAR BODY ITEMS)

ILL	PART NO	DESCRIPTION	QTY	REMARKS
1	RRC7178	Radiator-Rear RH	1	
2	RRC7179	Radiator-Rear LH	1	
3	RRC7183	Cover-End RH	1	
	RRC7184	Cover-End LH	1	
4	RRC7182	Mounting Block-Lower	8	
5	RRC7180	Bracket-Mounting	8	
6	RRC7181	Mounting Block-Upper	8	
7	RRC7047	Cover-Centre	2	
	AB606044	Screw-Drive-Fixing Covers	8	
8	RRC7177	Radiator-Rear	2	
	SE105251L	Screw )Fixing	8	
	WA105001L	Washer-Plain)Radiator	16	
	NH105041L	Nut )Top	8	
	SE105121L	Screw )Fixing	8	
	WA105001L	Washer-Plain )Radiator	8	
	MM105301	Rivnut )Bottom	8	
9	RRC7060	Sleeve-Connecting Radiator	4	
10	CN100258	Clip-Sleeve	8	
11	RRC7090	Elbow	4	
12	RRC7049	Pipe-Radiator to Tap	2	
13	CN100308L	Clip-Hose	16	
14	RRC7372	Tap	1	
15	RRC5688	Hose-Connecting	4	
16	RRC7054	Pipe-Return-Battery Heater	1	
17	RRC7055	Radiator-Battery Heater	1	
	NK106081	Gripnut-Fixing Radiator	2	
18	RRC7053	Pipe	1	
19	RRC7369	Pipe	1	
20	RRC7368	Pipe-Feed-Radiator-Battery	1	



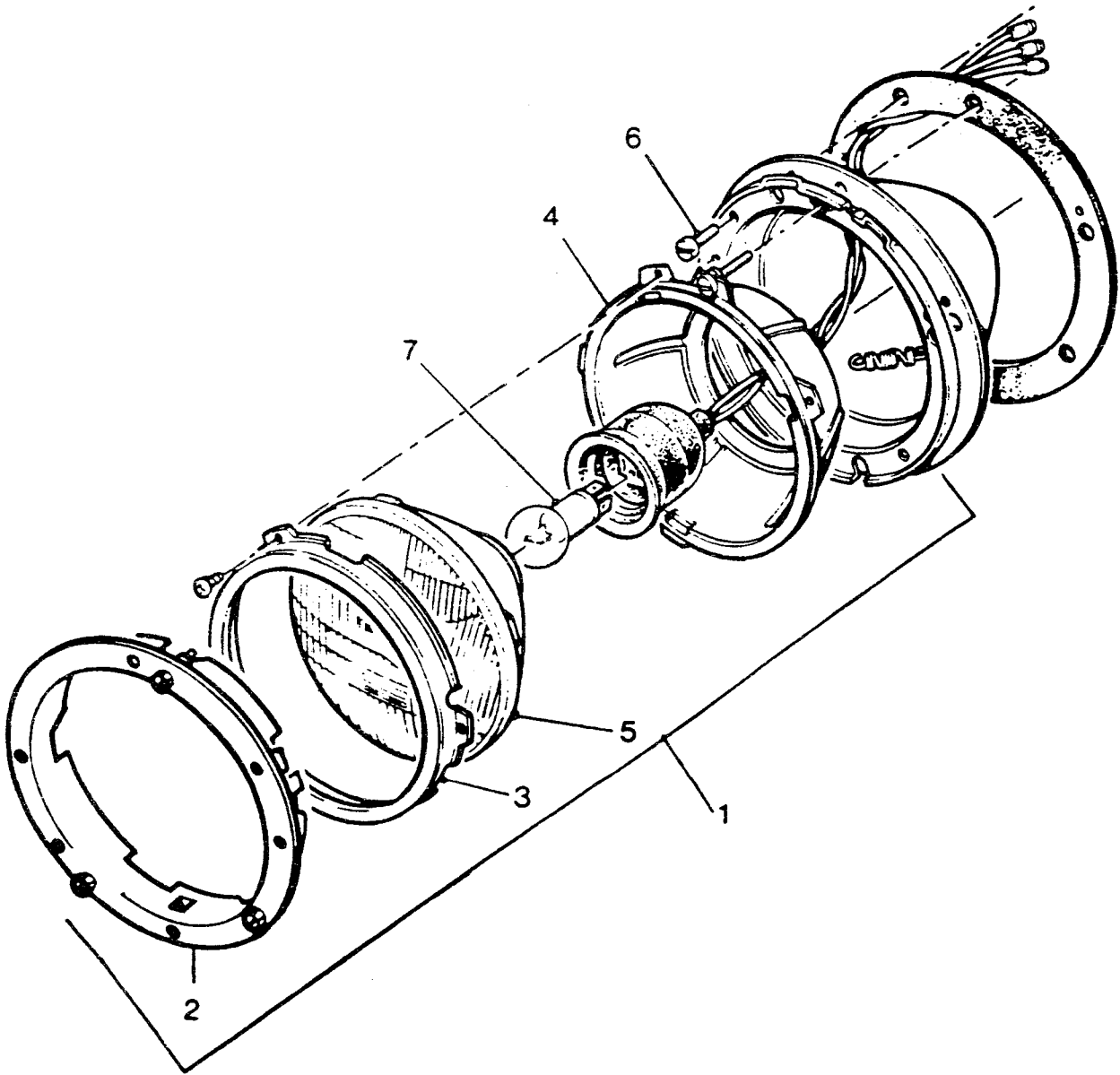
TS6136

MODEL DEFENDER  
BLOCK TS 6136

MODULE LX084

ELECTRICAL - HEADLAMP (RH STG)

ILL	PART NO	DESCRIPTION	QTY	REMARKS
1	AEU2466	Headlamp Assembly (Less Bulb)	2	
2	600842	Rim, Mask	2	
3	600843	Plate, Retaining Light Unit	2	
4	17H5205	Rim, Seating Light Unit	2	
5	AEU2591	Light Unit	2	
6	600851	Screws, Trimmer	6	
7	505197	Bulb	2	



TS6136

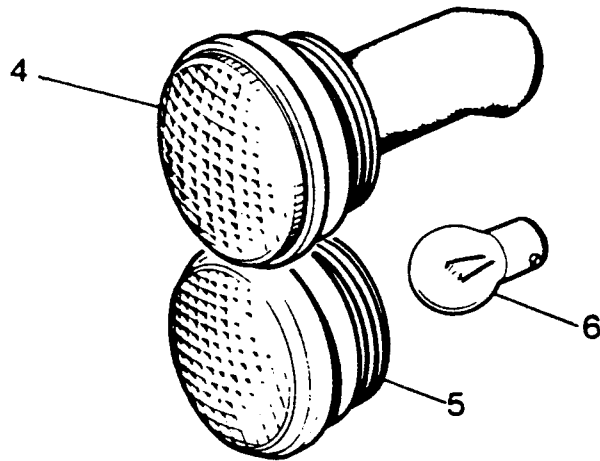
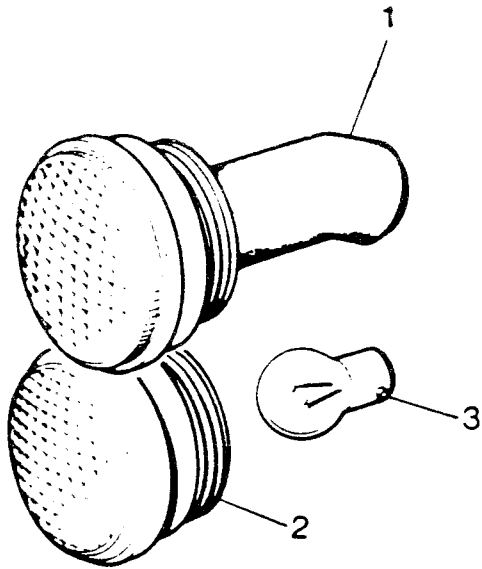
MODEL DEFENDER  
BLOCK TS 6136

MODULE LX082

ELECTRICAL - HEADLAMP (LH STG)

ILL	PART NO	DESCRIPTION	QTY	REMARKS
1	AEU2465	Headlamp Assembly (Less Bulb)	2	
2	600842	Rim, Mask	2	
3	600843	Plate, Retaining Light Unit	2	
4	17H5205	Rim, Seating Light Unit	2	
5	RTC3684	Light Unit	2	
6	600851	Screws, Trimmer	6	
7	505197	Bulb	2	



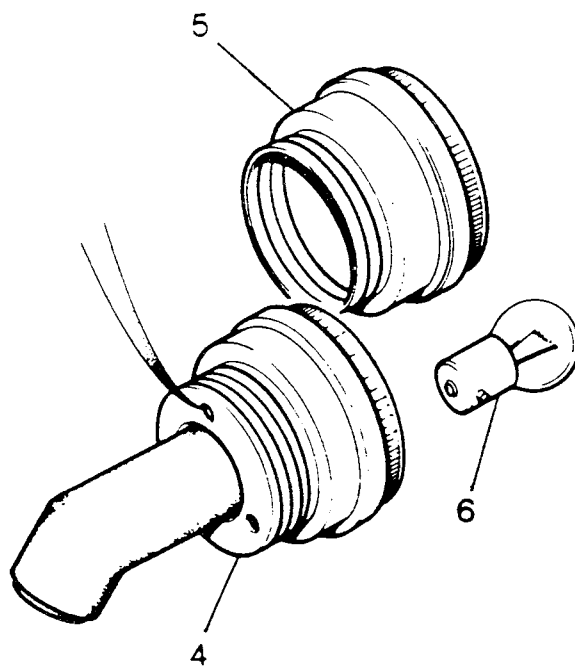
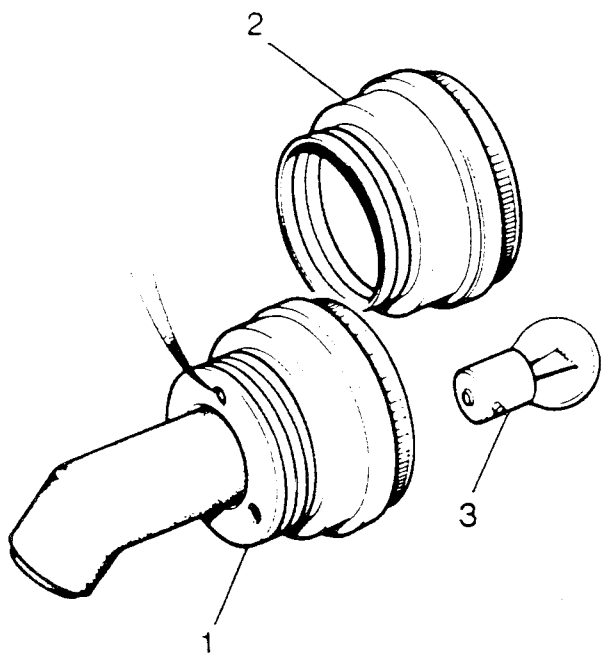


MODEL DEFENDER  
BLOCK VS 3413/4

MODULE LX082

ELECTRICAL - FRONT SIDE & INDICATOR LAMPS

ILL	PART NO	DESCRIPTION	QTY	REMARKS
1	AEU1374	Sidelamp (Less Bulb)	2	
2	AEU1375	Lens, Sidelamp	2	
3	10211	Bulb, Sidelamp	2	
4	RTC1885	Indicator, Lamp (Less Bulb)	2	
5	RTC1843	Lens, Indicator Lamp	2	
6	264591	Bulb, Indicator Lamp	2	

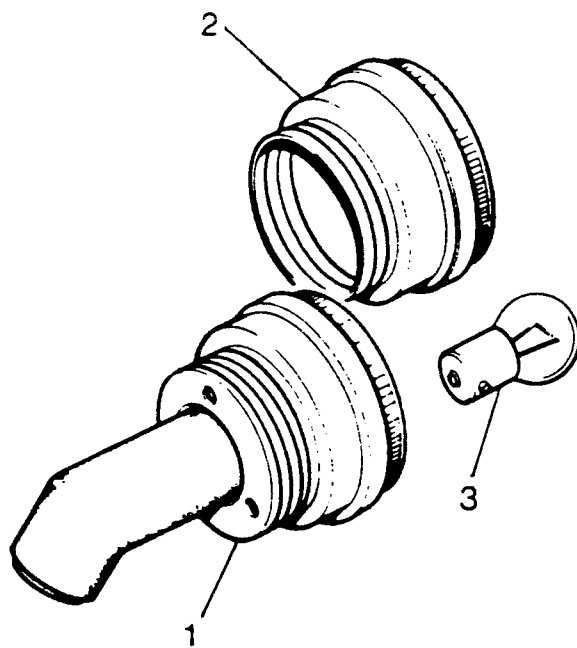


MODEL DEFENDER  
BLOCK VS 3413/B

MODULE LX082

ELECTRICAL - REAR TAIL & INDICATOR LAMPS

ILL	PART NO	DESCRIPTION	QTY	REMARKS
1	RTC1919	Tail Lamp (Less Bulb	2	
2	AAU1079	Lens Tail Lamp	2	
3	264590	Bulb Tail Lamp	2	
4	RTC1886	Indicator Lamp (Less Bulb)	2	
5	RTC1844	Lens, Indicator Lamp	2	
6	264591	Bulb, Indicator Lamp	2	



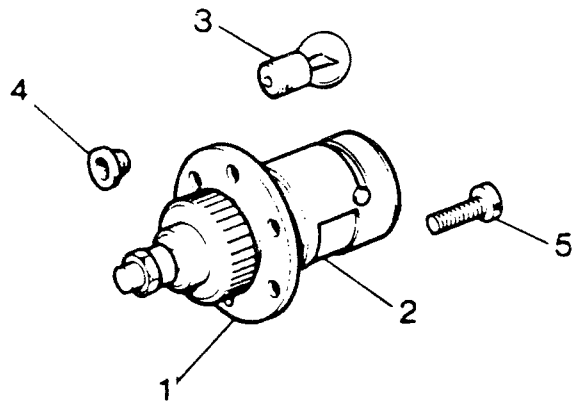
VS3413

MODEL DEFENDER  
BLOCK VS 3413

MODULE LX082

REAR GUARD FOG LAMP

ILL	PART NO	DESCRIPTION	QTY	REMARKS
1	RTC2665	Rear Guard Fog Lamp	2	
2	RTC2666	Lens	2	
3	264591	Bulb	2	
	AR606041L	Drive Screw	6	



vs. 3413/C

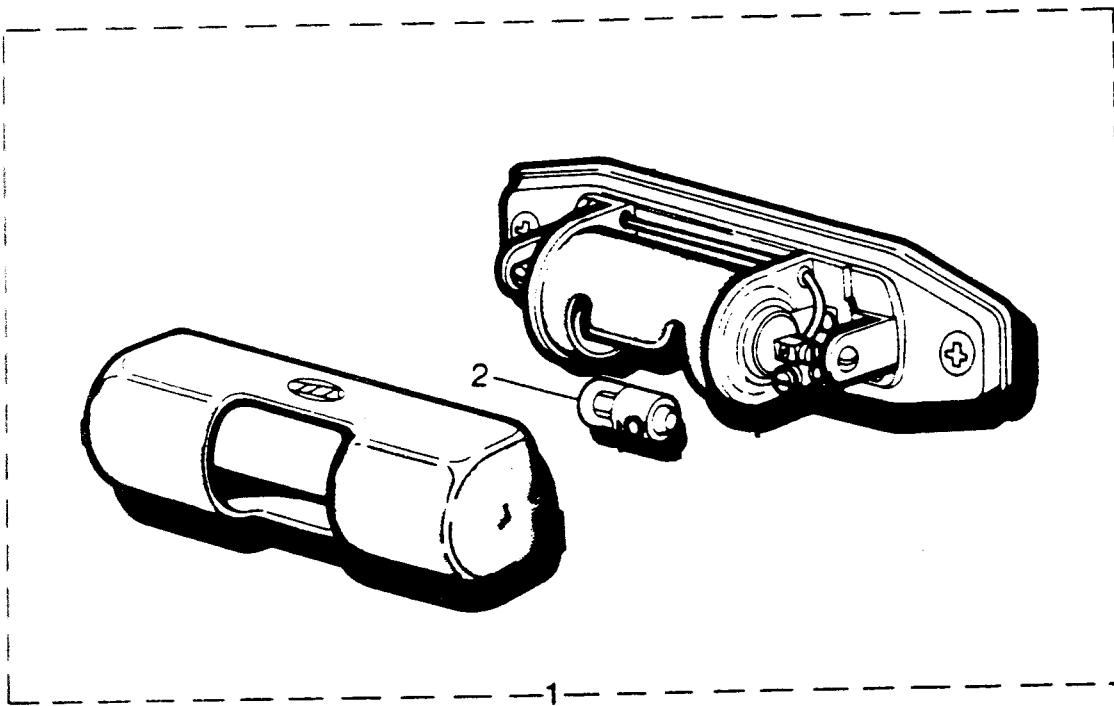
MODEL DEFENDER  
BLOCK VS 3413/C

MODULE LX084

ELECTRICAL - CONVOY LAMP

ILL	PART NO	DESCRIPTION	QTY	REMARKS
1	RTC4771	Convoy Lamp	1	
2	AAU7897	Lens, Convoy Lamp	1	
3	10211	Bulb, Convoy Lamp	1	
4	536126	Sealing Washer	1	
5	77701	Screw, Fixing Convoy Lamp	3	





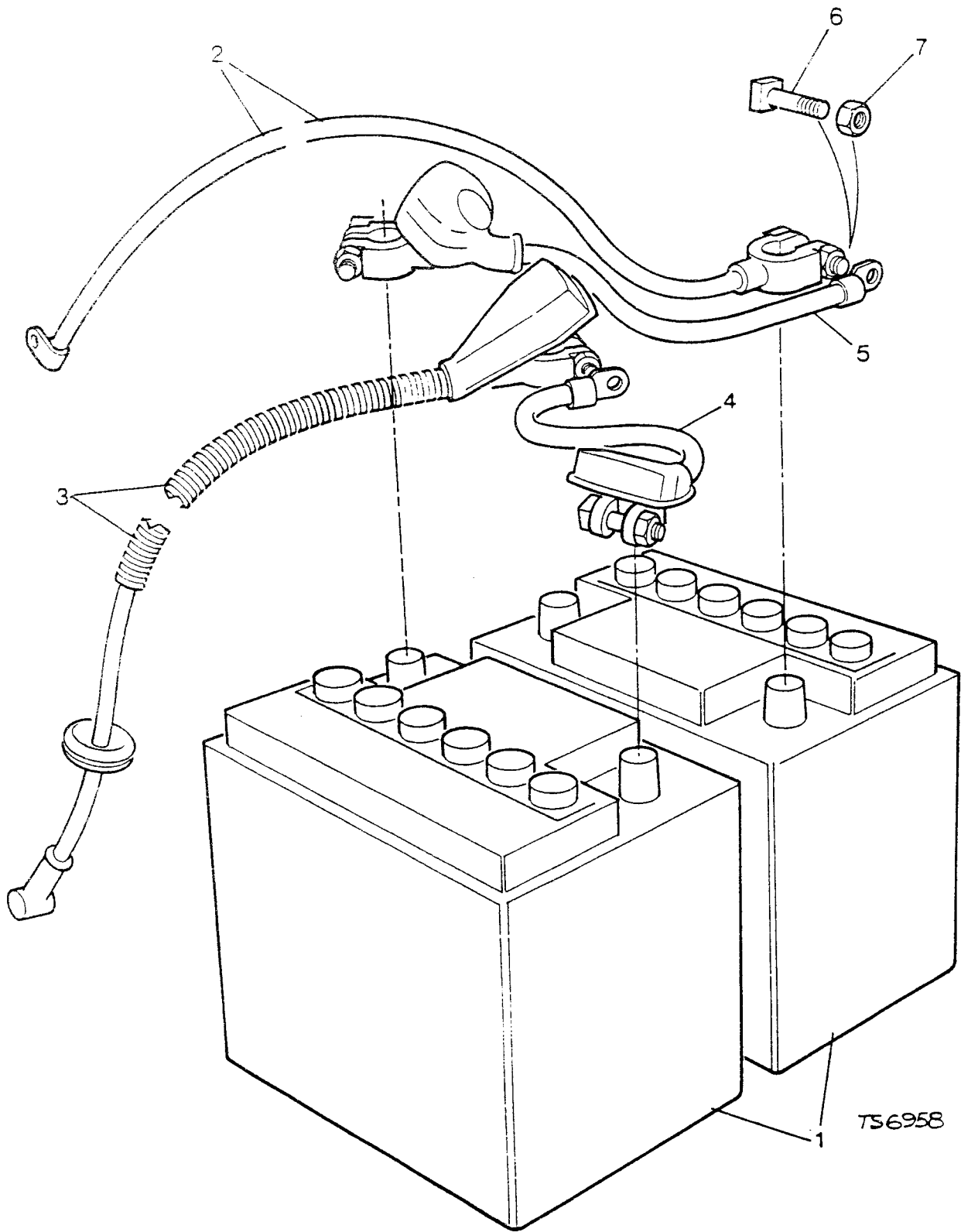
LR 2087

MODEL DEFENDER  
BLOCK LR 2087

MODULE EA054

ELECTRICAL - MAP READING LAMP

ILL	PART NO	DESCRIPTION	QTY	REMARKS
1	PRC3832	Map Reading Lamp	1	
2	AEU4110	Bulb	2	
	PRC1552	Cable Assembly-Map Lamp	1	
	233244	Grommet-Map Lamp Cable	1	
	ATU1014	Rawl Nut) Map Lamp	2	
	SF105251L	Screw ) to Bracket	2	
	MRC4029	Mounting Bracket-Map Lamp	1	
	SL104101L	Drive Screw-Mounting Bracket	2	



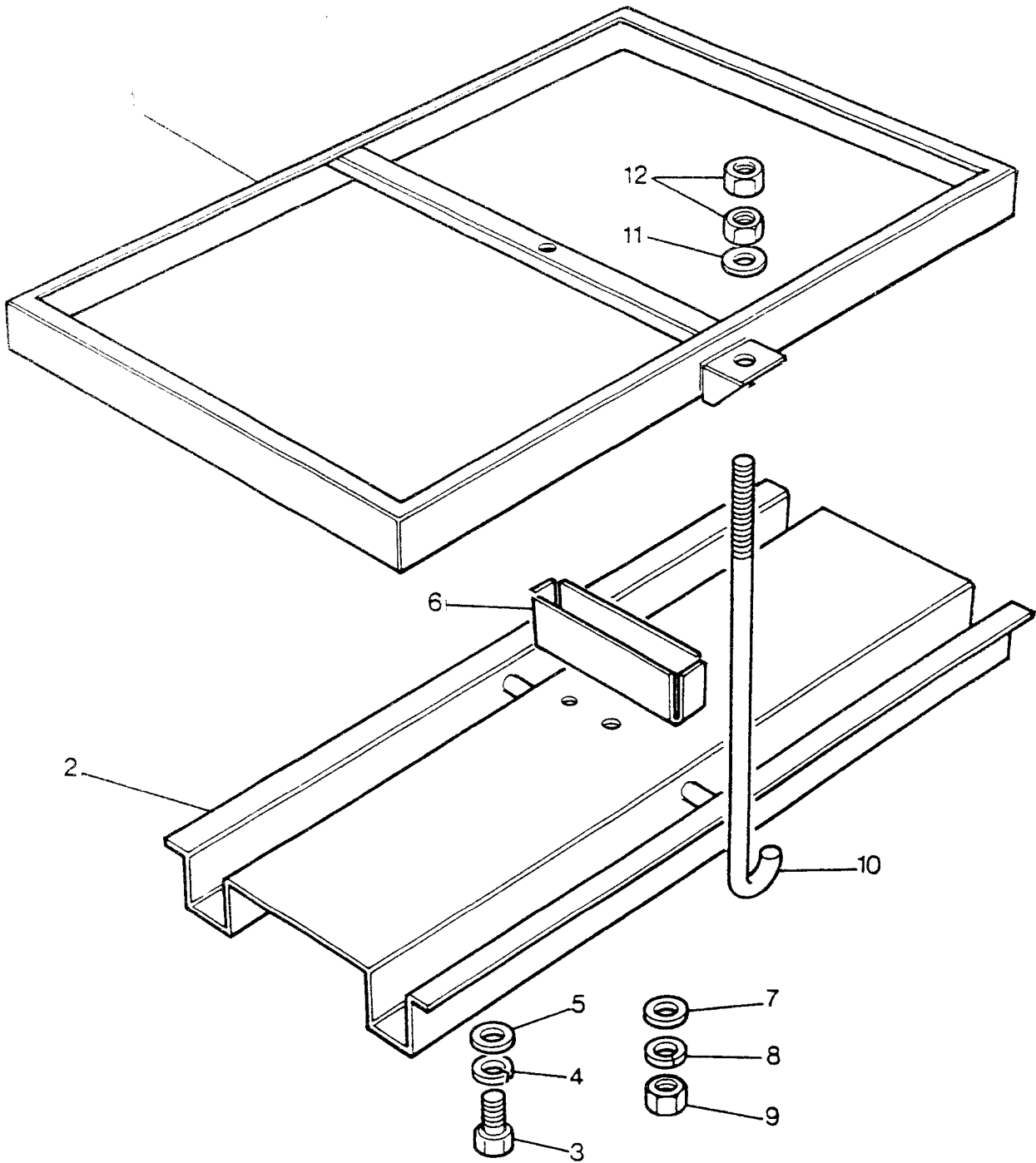
MODEL DEFENDER  
BLOCK TS 6958

MODULE BT047

ELECTRICAL - VEHICLE BATTERIES

ILL	PART NO	DESCRIPTION	QTY	REMARKS
1	PRC5637	Battery	2	D.F.S.
2	PRC5524	Lead - Negative to Earth	1	
3	PRC4616	Lead - Positive to Solenoid	1	
4	RRC7351	Lead - Positive		
		Battery - Interconnecting	1	
5	RRC7352	Lead - Negative		
		Battery - Interconnecting	1	
6	12755	Bolt	4	
7	12756	Nut	4	

D.F.S = Direct From Supplier



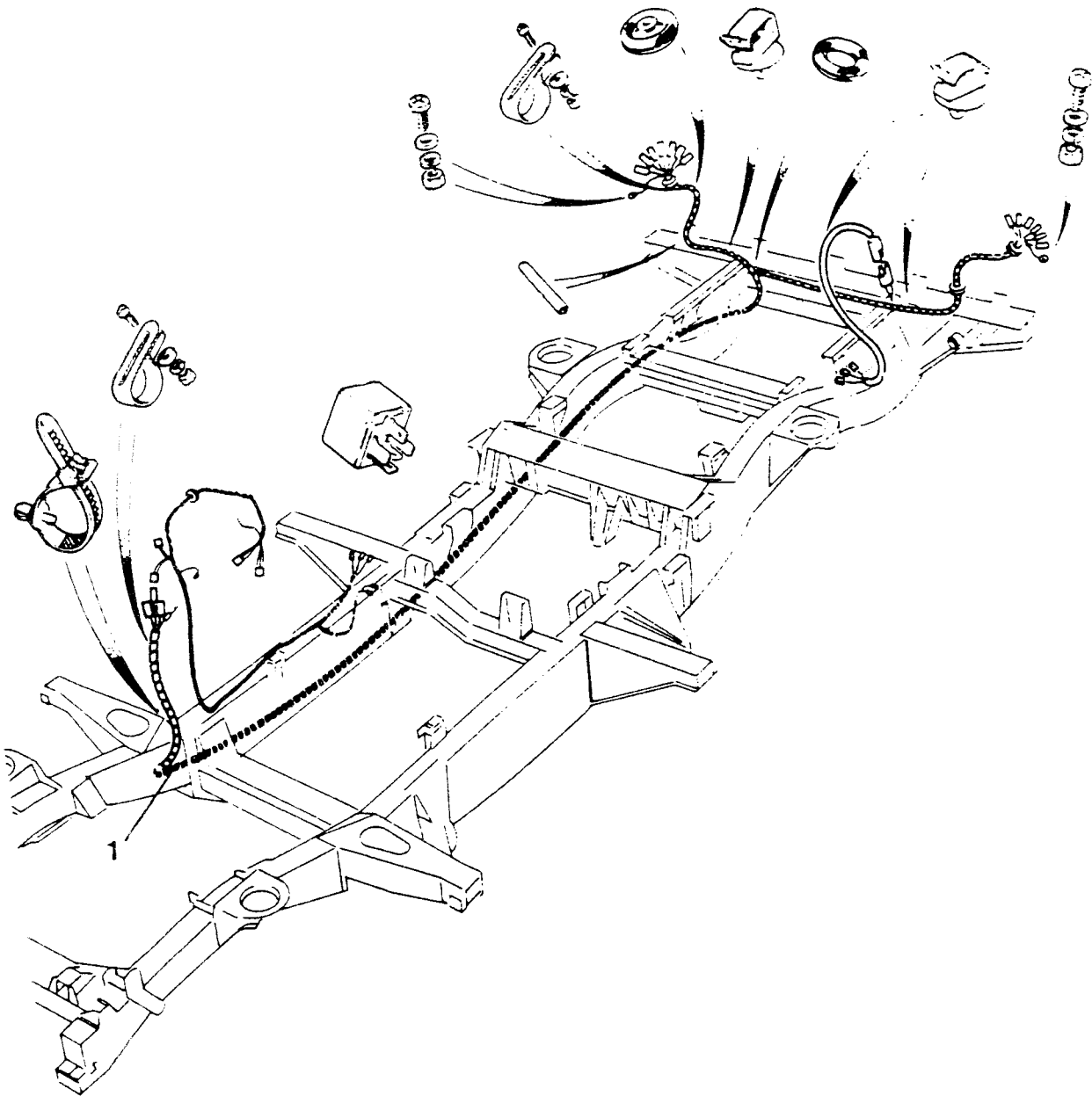
75 635

MODEL DEFENDER  
BLOCK TS 6957

MODULE BT047

BODY - BATTERY FIXINGS

ILL	PART NO	DESCRIPTION	QTY	REMARKS
1	RRC7359	Frame - Clamping - Batteries	1	
2	RRC7409	Panel - Filler	1	
3	SH106161L	Screw )	4	
4	WL106001L	Washer - Spring )Filler	4	
5	WA106041L	Washer - Plain )Panel	4	
6	RRC2906	Spacer	1	
7	WA106041L	Washer - Plain )	1	
8	WA106001L	Washer - Spring )Spacer	1	
9	NH106041L	Nut )	1	
10	STC307	Bolt - 'J' )	2	
11	WA106041L	Washer - Plain )Clamping	2	
12	NH106041L	Nut )Frame	4	



TS 5517

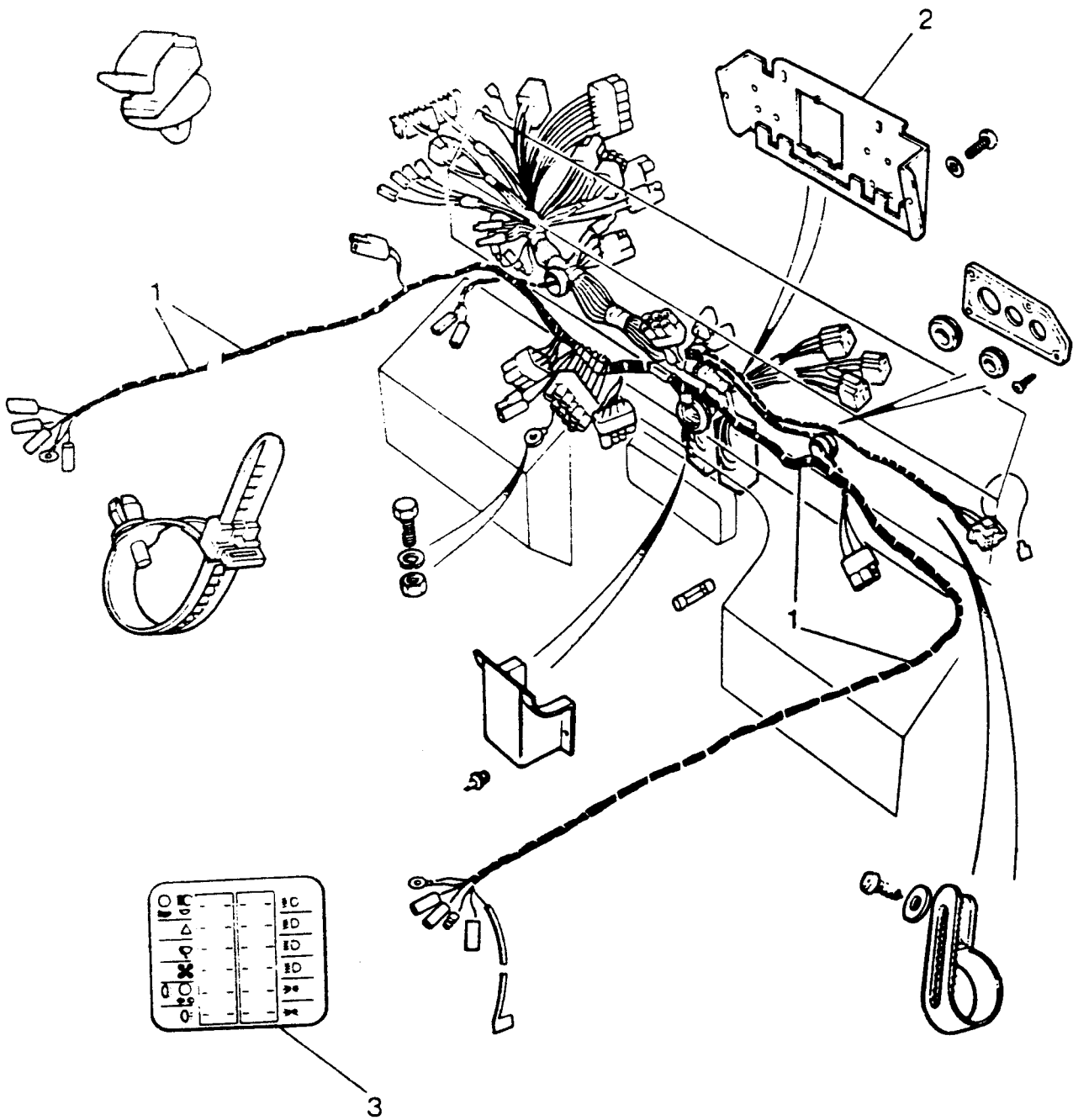
MODEL DEFENDER  
BLOCK TS 5517

MODULE EL085

ELECTRICAL - CHASSIS HARNESS

ILL	PART NO	DESCRIPTION	QTY	REMARKS
1	PRC7286	Chassis Harness	1	





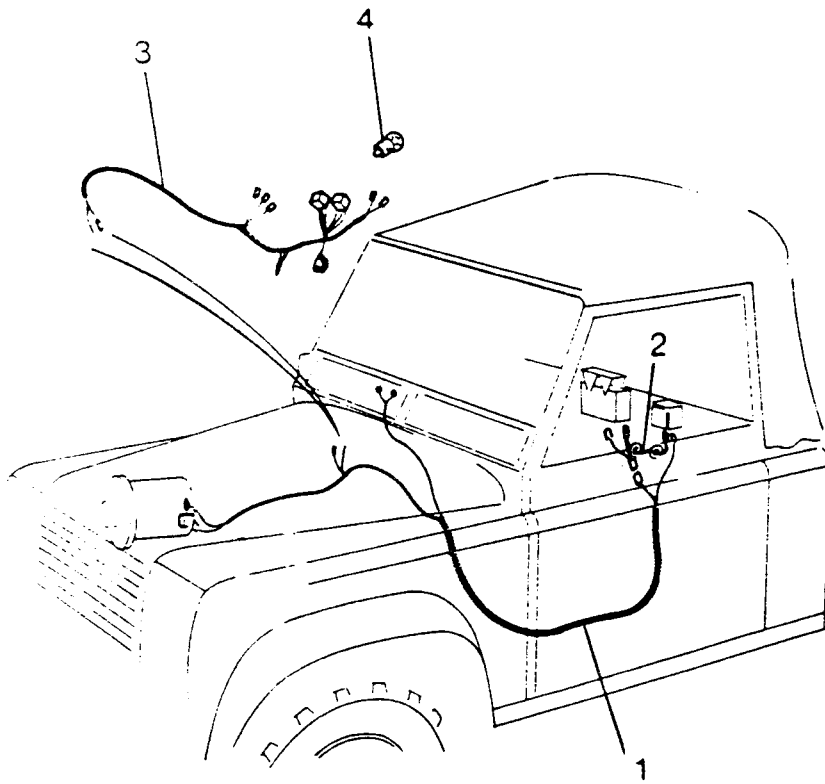
TS 5174

MODEL DEFENDER  
BLOCK TS 5174

MODULE EL085

ELECTRICAL - MAIN HARNESS

ILL	PART NO	DESCRIPTION	QTY	REMARKS
1	PRC8384	Main Harness	1	
2	PRC8072	Panel-Mounting Fuse Box	1	
3	PRC8252	Label-Fuse	1	



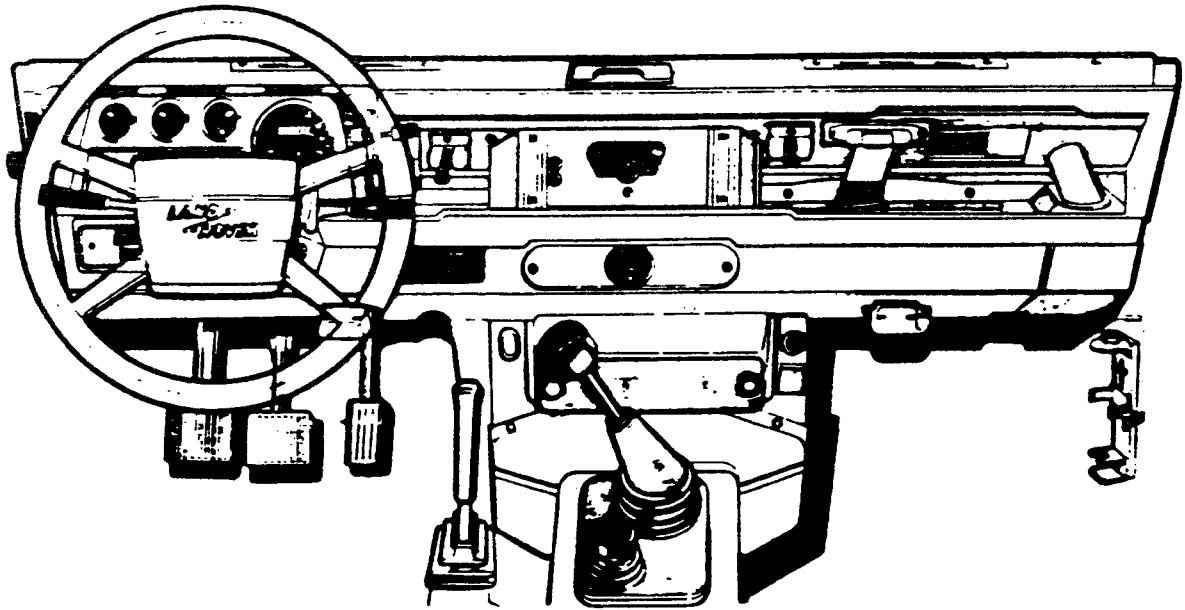
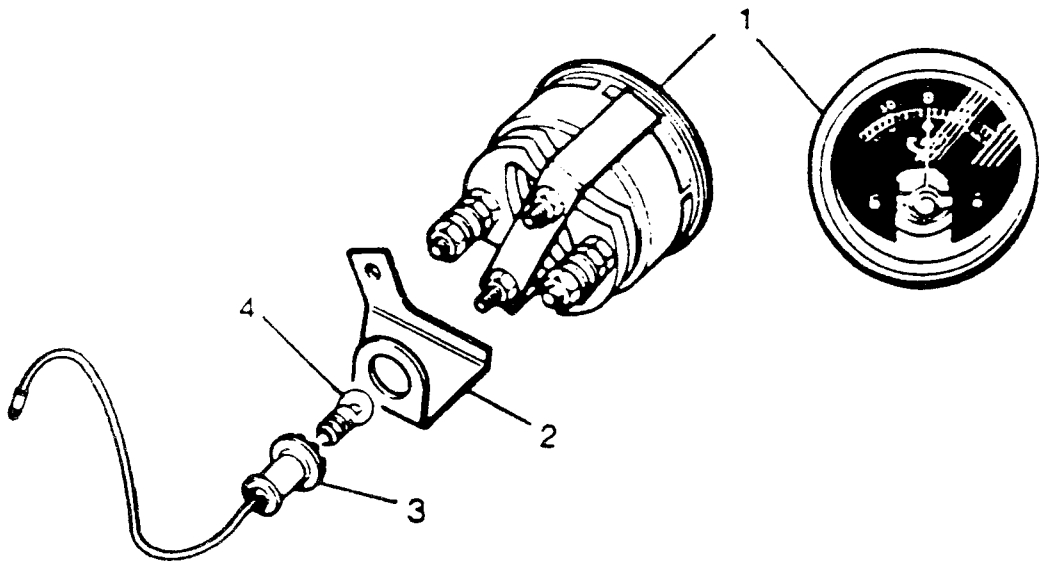
TS.6856/A

MODEL DEFENDER  
BLOCK TS 6856/A

MODULE ALO25

HARNESSES 12 x 24 VOLT

ILL	PART NO	DESCRIPTION	QTY	REMARKS
1	PRC5811	Cable Assembly-24 Volt Alternator to Fuse Box	1	
2	PRC5582	Cable Assembly-Fuse Box to Terminal Box	1	
3	PRC5812	Cable Assembly-24v Ignition Warning Light	1	
4	PRC2268	Bulb-Ignition Warning Light	1	

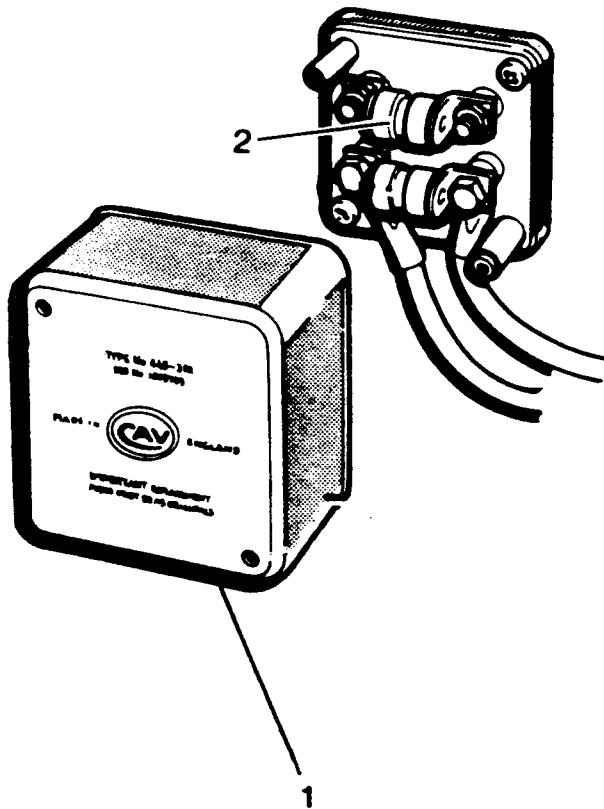


MODEL DEFENDER  
BLOCK DM 002

MODULE AL025

ELECTRICAL - AMMETER

ILL	PART NO	DESCRIPTION	QTY	REMARKS
1	PRC5485	Ammeter (100-0-100)	1	
2	579114	Ammeter Illumination Bracket	1	
3	PRC5590	Cable Assembly Ammeter Illumination	1	
4	232590	Bulb	1	



LR 2107

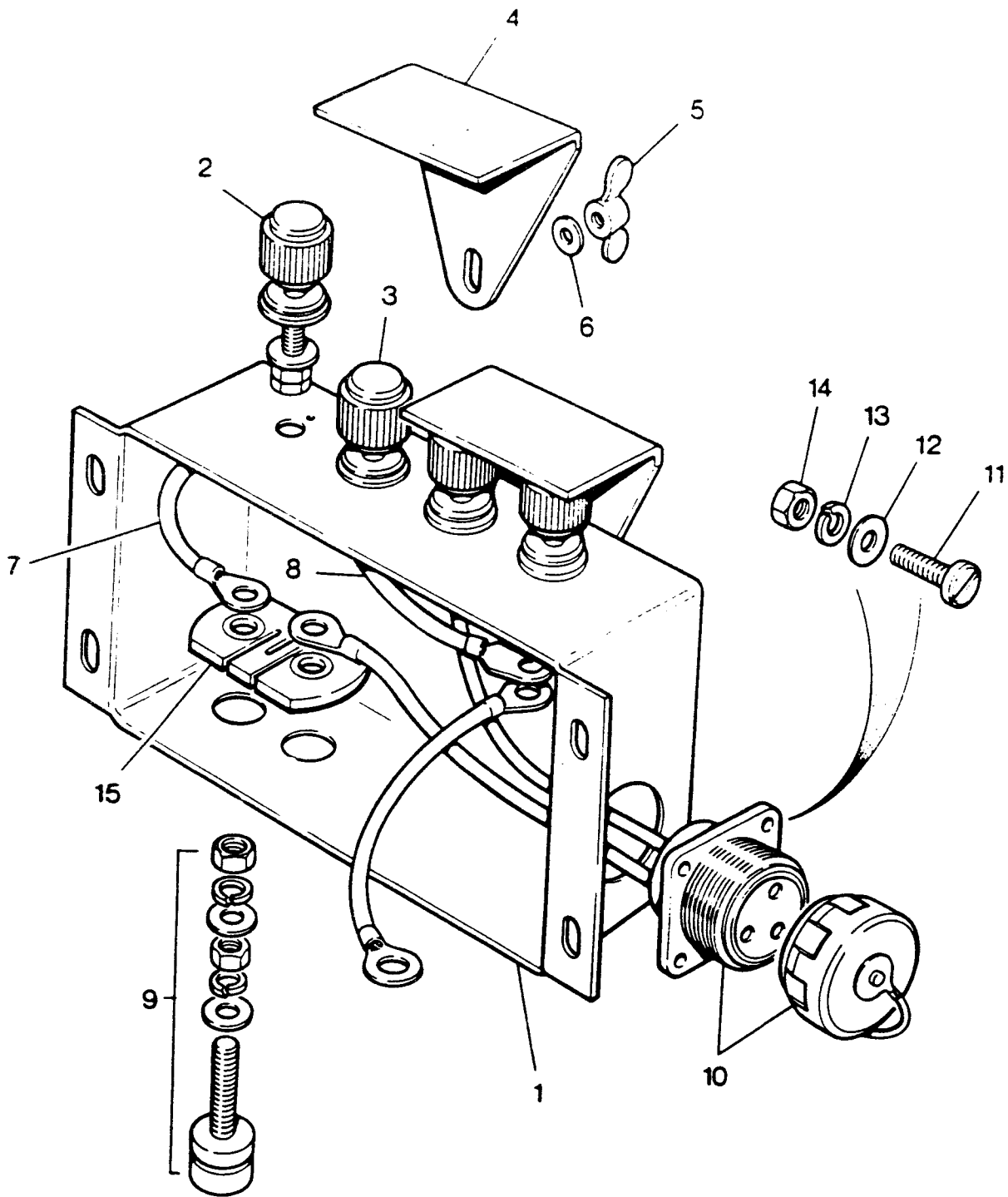
MODEL DEFENDER  
BLOCK LR 2107

MODULE AL025

ELECTRICAL - FUSE BOX

ILL	PART NO	DESCRIPTION	QTY	REMARKS
1	RTC5298	Fuse Box	1	
2	RTC5011	Fuse	1	





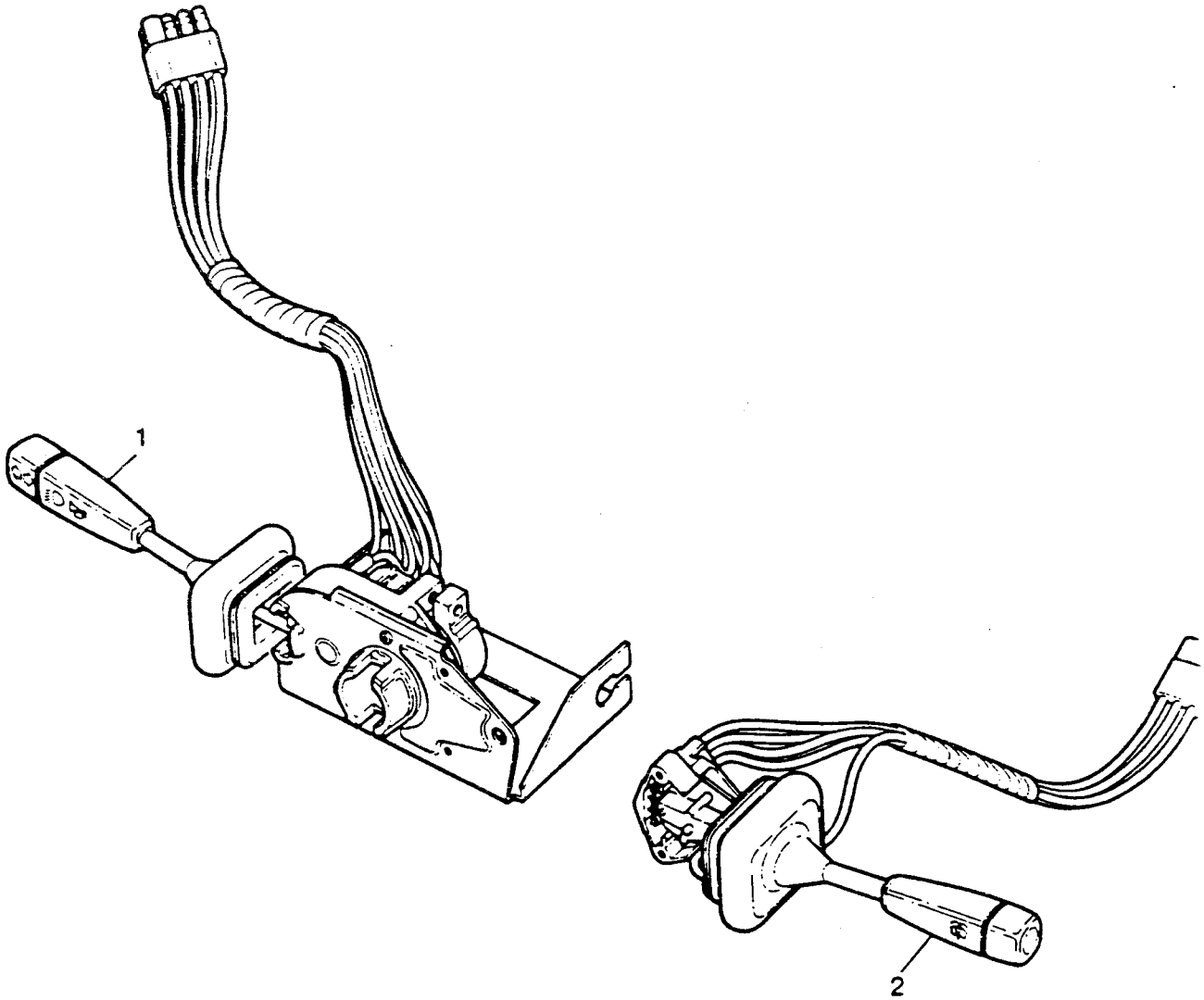
TS e 32

MODEL DEFENDER  
BLOCK TS 6186

MODULE AL025

ELECTRICAL - TERMINAL BOX

ILL	PART NO	DESCRIPTION	QTY	REMARKS
1	PRC5477	Terminal Box	1	
2	552648	Terminal Red	2	
3	552647	Terminal Black	2	
4	MTC2103	Keeper Plate	2	
5	NA105017L	Wing Nut	2	
6	WA106041L	Washer	2	
7	PRC5491	Lead Terminal Bush to Terminal	1	
8	PRC3284	Lead Interconnecting Terminal	2	
9	PRC5592	Terminal Bush Complete	2	
10	PRC5478	Cable and Socket Assembly Charging	1	
11	SP103101	Screw	4	
12	WL103001	Washer Plain	4	
13	WA103001L	Washer Spring	4	
14	NH103041L	Nut	4	
15	PRC5483	Shunt 90 Amp	1	



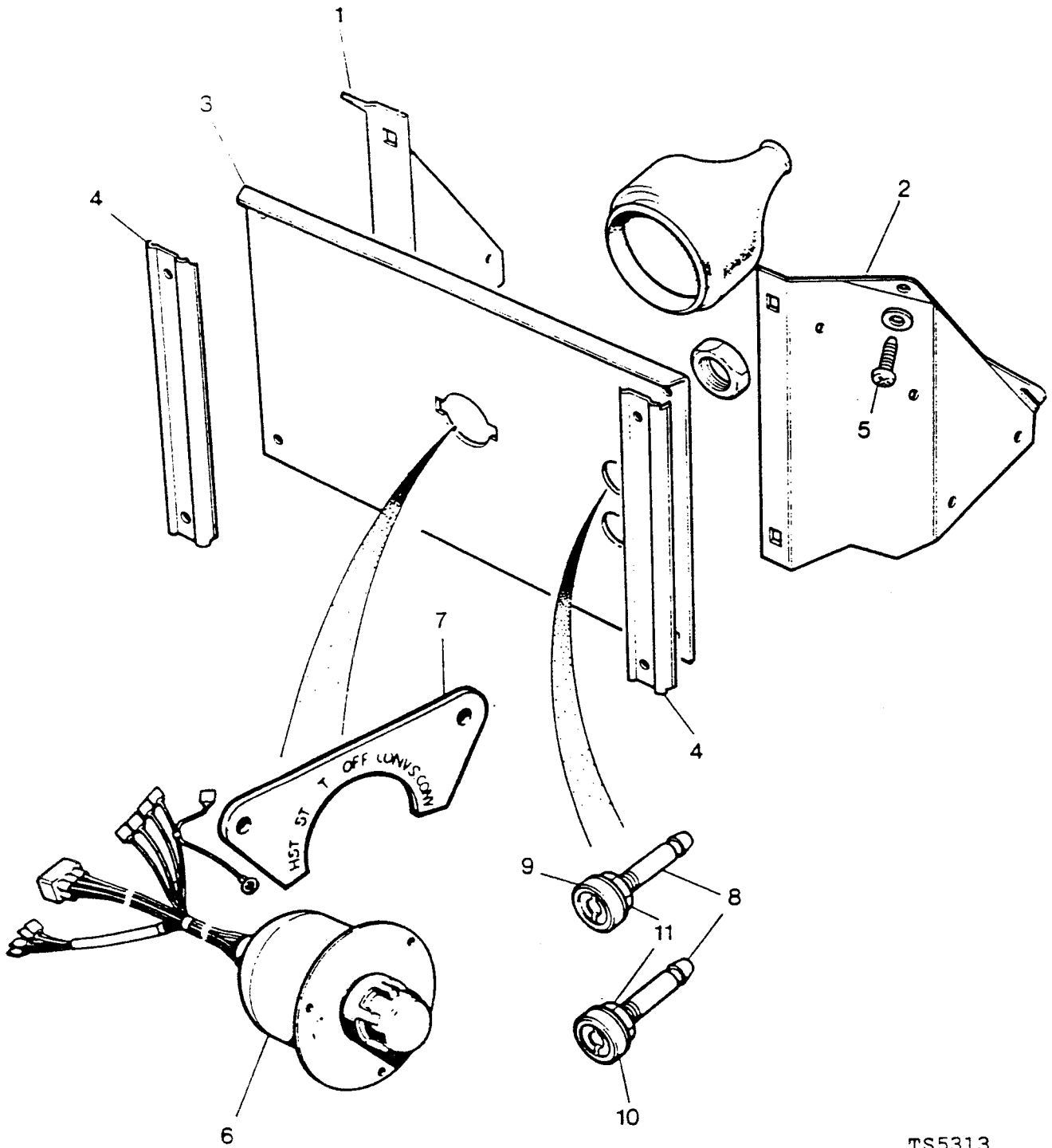
VS4052

MODEL DEFENDER  
BLOCK VS 4052

MODULE LX084

ELECTRICAL - SWITCHES

ILL	PART NO	DESCRIPTION	QTY	REMARKS
1	PRC3875	Indicator Horn Switch	1	
2	PRC3900	Wash Wipe Switch	1	



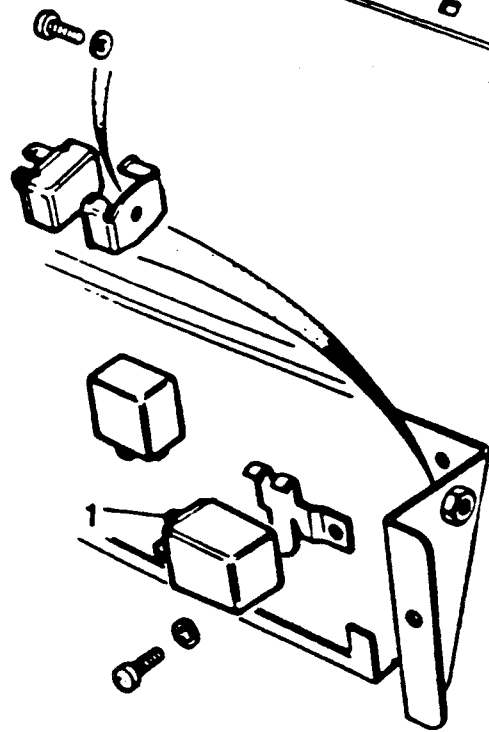
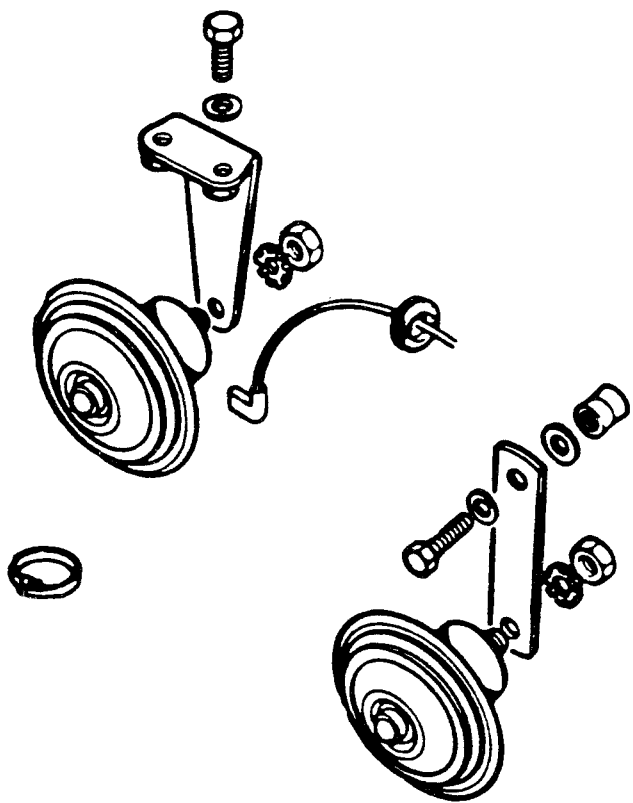
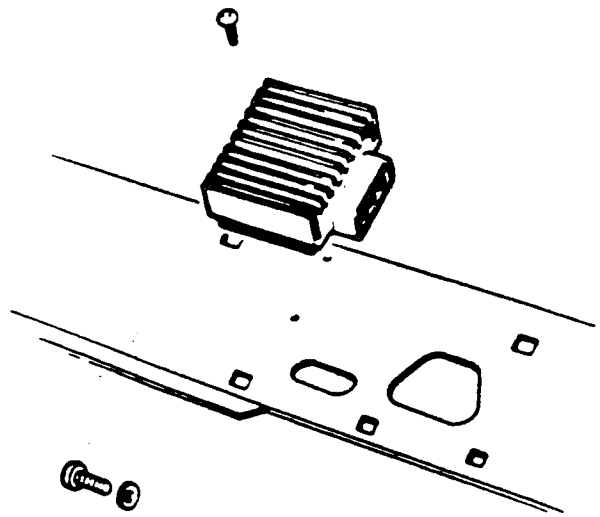
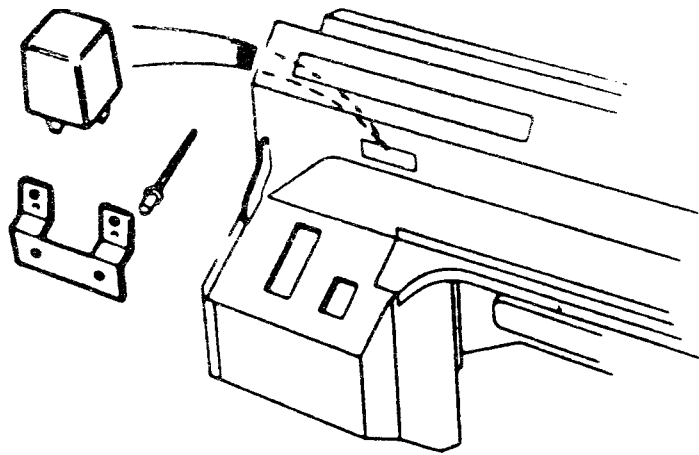
TS5313

MODEL DEFENDER  
BLOCK TS 5313

MODULE LX082

ELECTRICAL - AUXILIARY DASH PANEL

ILL	PART NO	DESCRIPTION	QTY	REMARKS
1	RRC2713	Auxiliary Switch Panel LH	1	
2	RRC2714	Auxiliary Switch Panel RH	1	
3	RRC3582	Auxiliary Switch Panel Front	1	
4	MTC6115	Trim Finisher	2	
	AB606051L	Drive Screw Fixing Trim Finisher	4	
5	AB606031L	Drive Screw )Auxiliary Side	4	
	RTC3745	Lokut Nut )Panel	4	
6	PRC5410	Master Lighting Switch (6 Way)	1	
7	348797	Label Lighting Switch	1	
8	PRC2078	Inspection Socket	2	
9	PRC2079	Insulation Bush Red	1	
10	PRC2080	Insulation Bush Black	1	
11	PRC2087	Nylon Nut-Fixing Inspection Socket	2	



TS6539

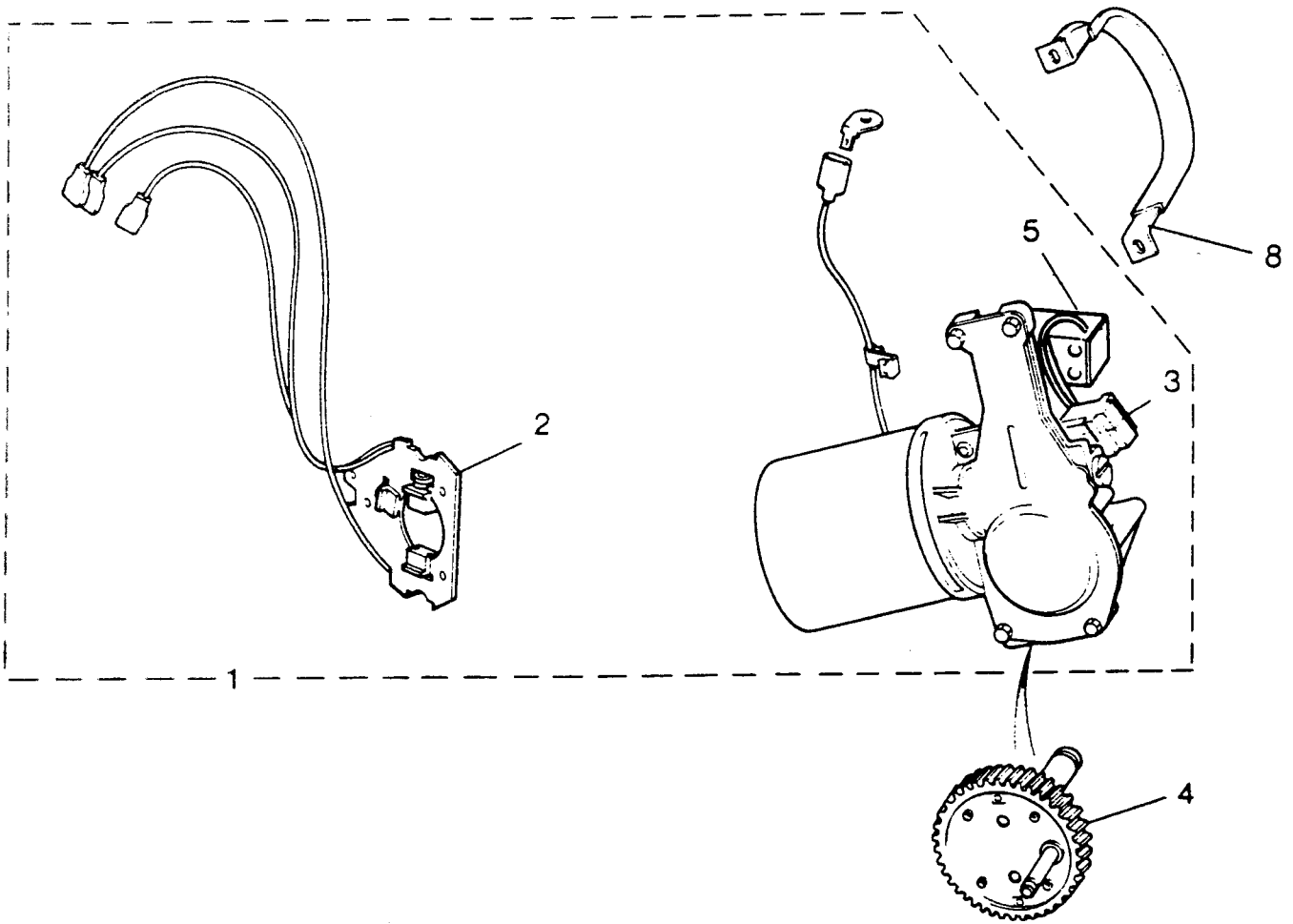
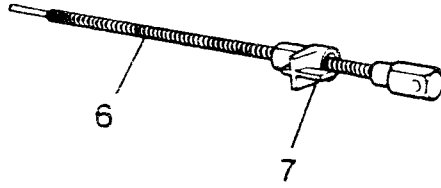
MODEL DEFENDER  
BLOCK TS 6539

MODULE EL085

ELECTRICAL - FLASHER UNIT

ILL	PART NO	DESCRIPTION	QTY	REMARKS
1	PRC8256	Hazard Flasher Unit	1	





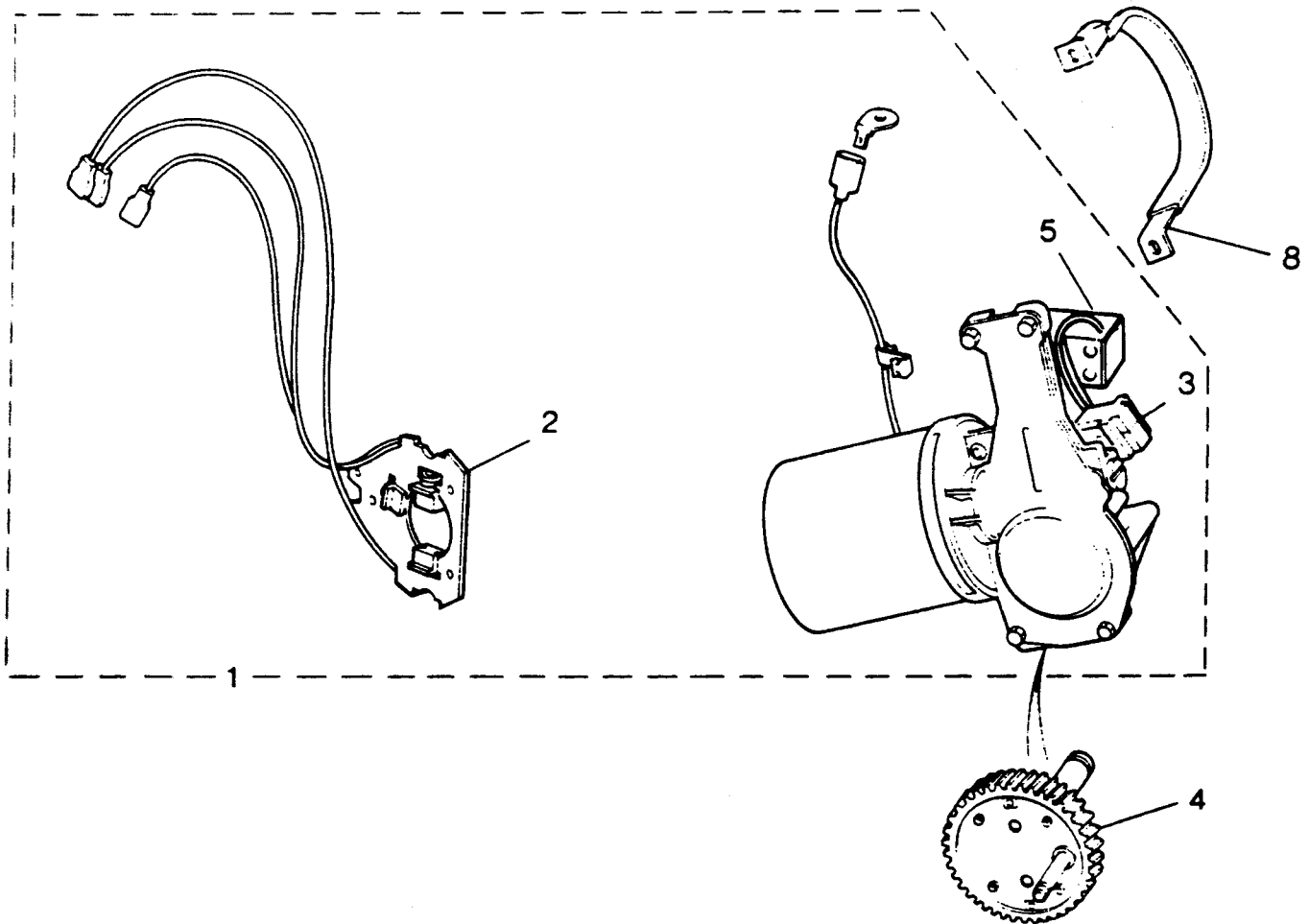
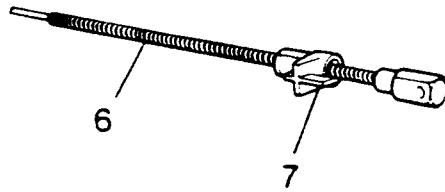
VS 405

MODEL DEFENDER  
BLOCK VS 4059

MODULE WW048

ELECTRICAL - WINDSCREEN WIPER MOTOR (RH STG) 12 X 24 VOLT

ILL	PART NO	DESCRIPTION	QTY	REMARKS
1	RTC4678	Wiper Motor	1	
2	RTC3892	Brush Set	1	NLA Part of RTC5575
3	520160	Parking Switch	1	
4	RTC4681	Gear	1	
5	RTC5575	Suppression Box Assy	1	
6	RTC4682	Rack	1	
7	37H3694L	Ferrule	1	
8	BHA4790L	Strap	1	



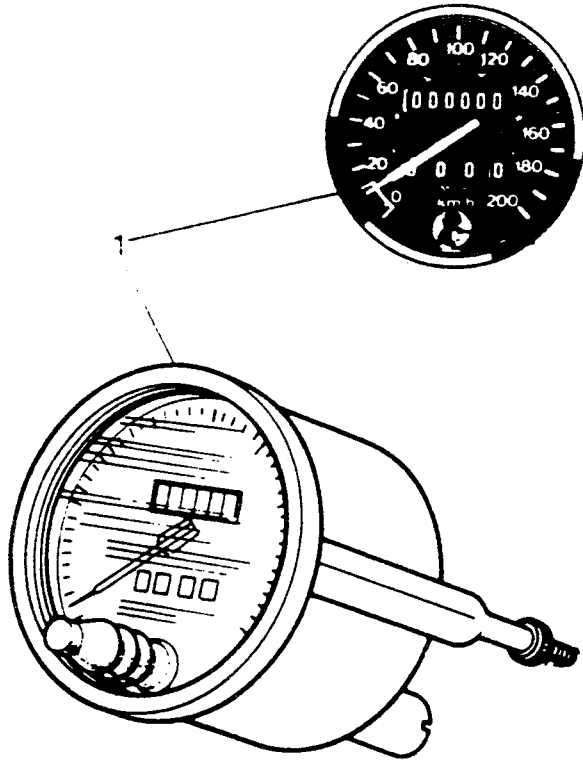
VS 4059

MODEL DEFENDER  
BLOCK VS 4059

MODULE WW049

ELECTRICAL - WINDSCREEN WIPER MOTOR (LH STG) 12 X 24 VOLT

ILL	PART NO	DESCRIPTION	QTY	REMARKS
1	RTC4679	Wiper Motor	1	
2	RTC3892	Brush Set	1	NLA Part of RTC5575
3	520160	Parking Switch	1	
4	RTC4681	Gear	1	
5	RTC5575	Suppression Box Assy	1	
6	RTC4682	Rack	1	
7	37H3694L	Ferrule	1	
8	BHA4790L	Strap	1	



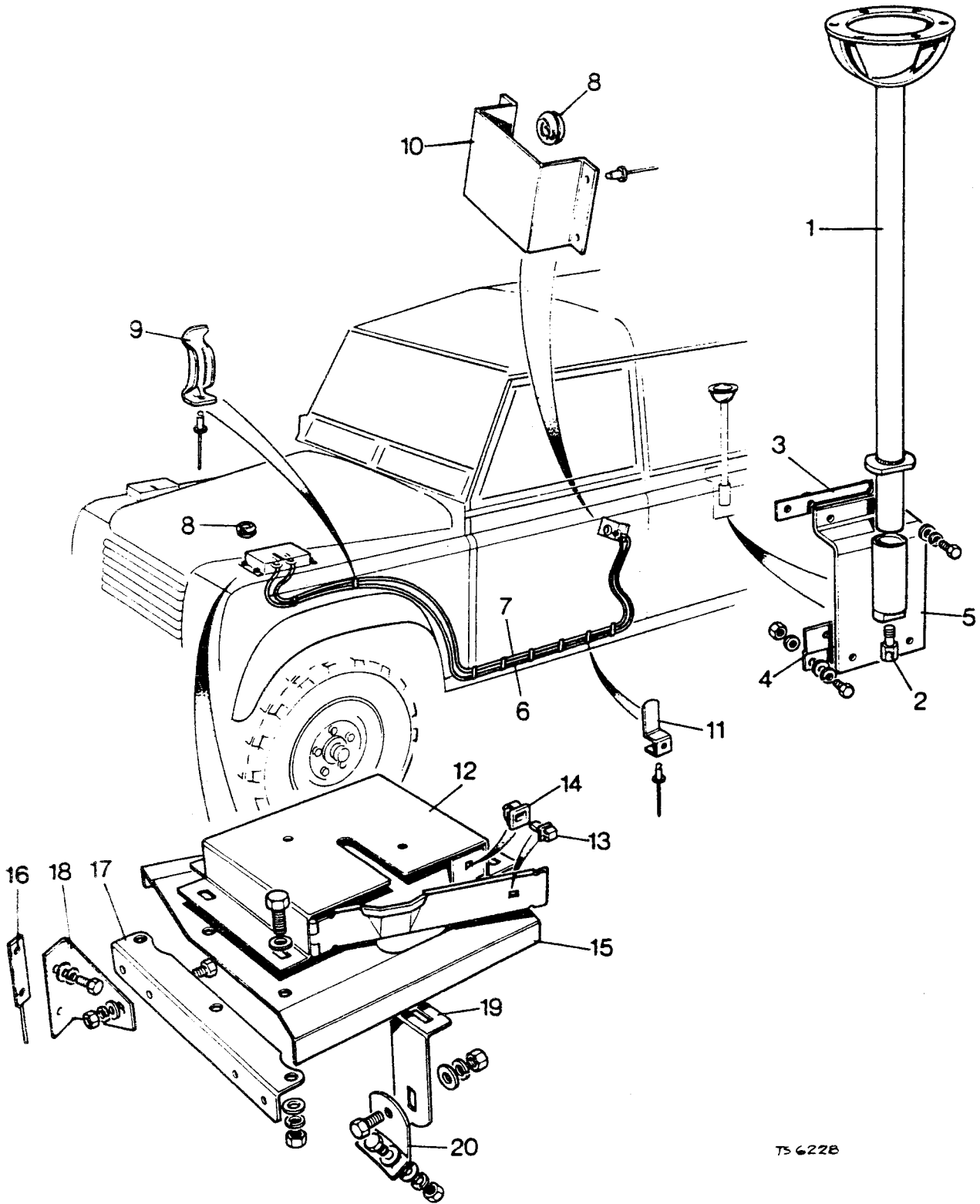
VS 4019

MODEL DEFENDER  
BLOCK VS 4019

MODULE IN075

ELECTRICAL - INSTRUMENTS

ILL	PART NO	DESCRIPTION	QTY	REMARKS
1	PRC7375	Speedometer-KMH/MPH	1	



TS 622B

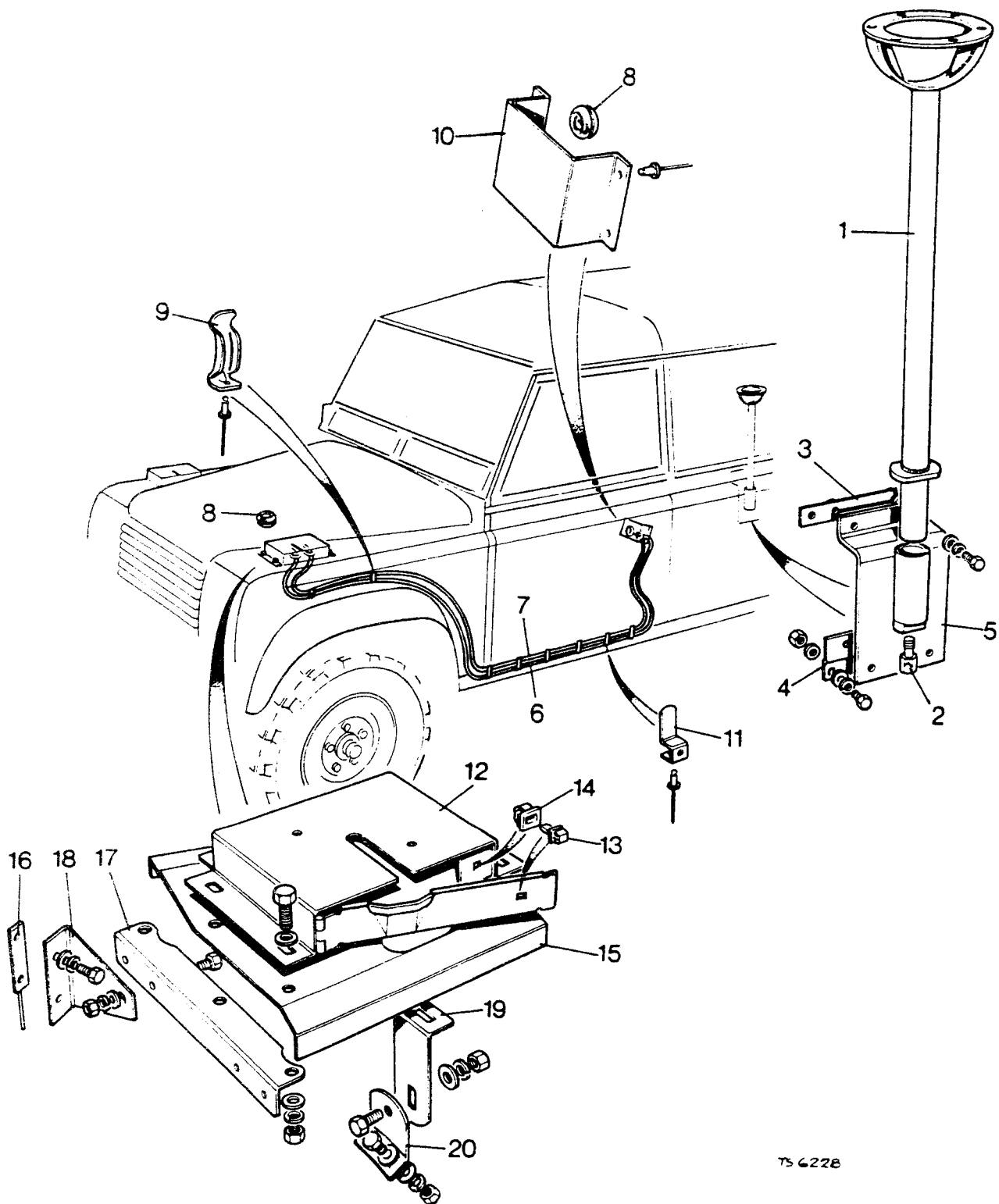
MODEL DEFENDER  
BLOCK TS 6228

MODULE CE015

BODY - CLANSMAN AERIAL LEADS

ILL	PART NO	DESCRIPTION	QTY	REMARKS
1	MRC8491	Aerial Support Column	2	
2	334830	Securing Pin	2	
3	MRC9423	Securing Plate	2	
4	MTC4049	Securing Plate	2	
5	MTC5081	Support Bracket	2	
	SH106251L	Bolt Fixing Support Bracket	8	
	SH106161L	Bolt Fixing Support Bracket	4	
	WC106041L	Washer Plain Support Bracket	16	
	WL106001L	Washer Spring	12	
	NH106041L	Nut	4	
6	PRC1824	Aerial Lead (Control) (T.U.A.A.M.)	2	
7	PRC1825	Aerial Lead (Radio)	2	
8	555711	Grommet Aerial Lead	8	
9	AFU1190	Clip Aerial Lead	4	
	RU608183L	Rivet	16	
10	MRC4522	Stowage Box	2	
	78248	Rivet	8	
11	MRC9043	Clip-Aerial Lead	12	
	RU608183L	Rivet	24	
12	RRC3217	Mounting Bracket A.T.U. LH	1	
	RRC3216	Mounting Bracket A.T.U. RH	1	
13	346139	Striker	2	
14	AGU1023	Latch	2	
15	RRC3741	Reinforcement A.T.U. LH	1	
	RRC3740	Reinforcement A.T.U. RH	1	
	SH108201L	Bolt-Fixing Mounting Bracket	12	
	WC108051L	Washer Plain-Fixing Mounting Bracket	40	
	WL108001	Washer Spring-Fixing Mounting Bracket	12	
	NH108041L	Nut-Fixing Mounting Bracket	12	





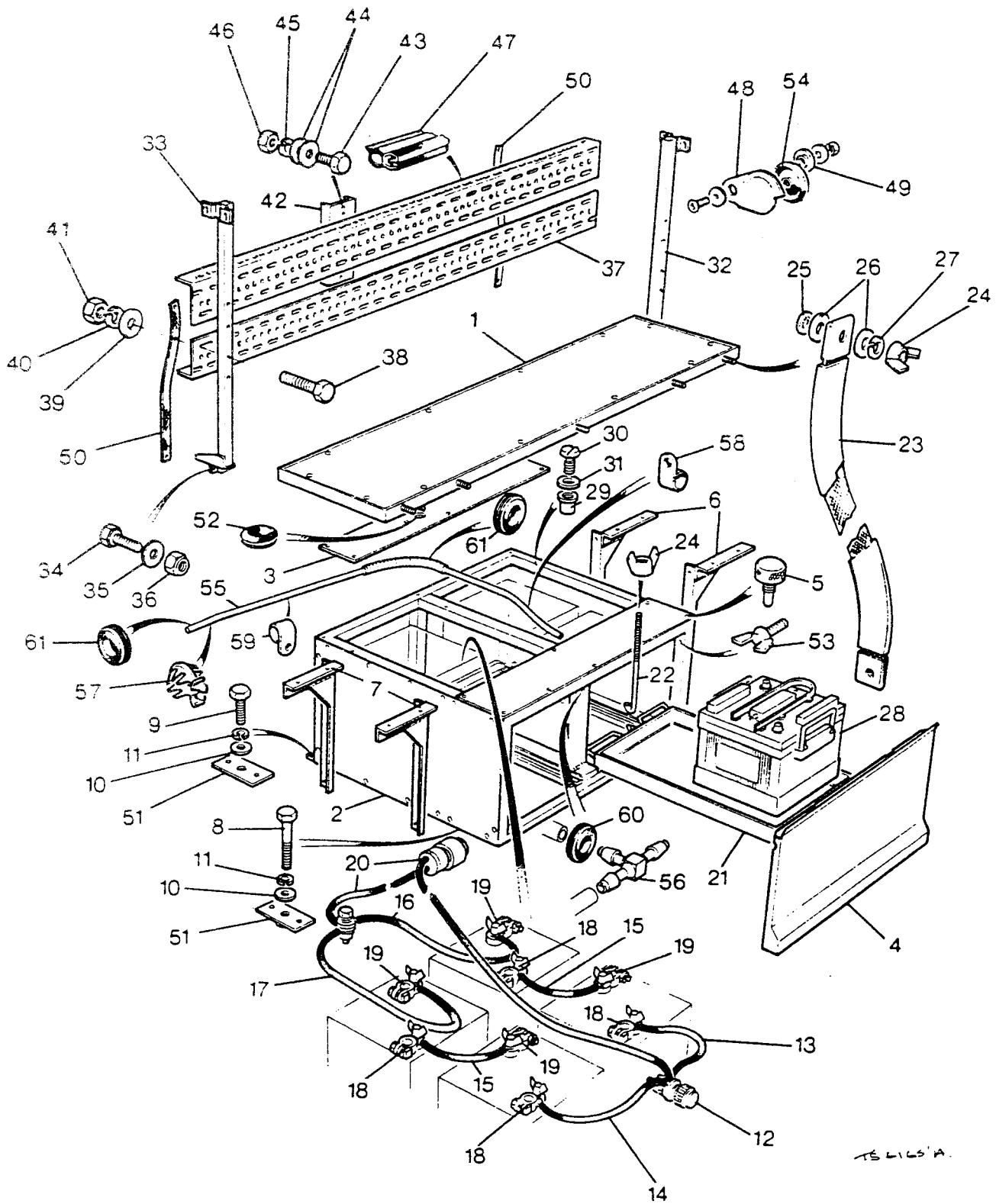
75 6228

MODEL DEFENDER  
BLOCK TS 6228

MODULE CE015

BODY - CLANSMAN AERIAL LEADS - CONTINUED

ILL	PART NO	DESCRIPTION	QTY	REMARKS
16	RRC3761	Nut Plate	2	
17	RRC3763	Support Angle	2	
18	RRC3764	Gusset Support RH	1	
	RRC3765	Gusset Support LH	1	
	SH106121L	Bolt-Fixing Support Angle	12	
	WA106041L	Washer Plain-Fixing Support Angle	12	
	WL106001L	Washer Spring-Fixing Support Angle	12	
	NH106041L	Nut-Fixing Support Angle	12	
19	RRC3766	Bracket Support	2	
20	RRC3767	Bracket Support	2	
	SH108201L	Bolt-Fixing Support Bracket	2	
	WC108051L	Washer Plain-Fixing Support Bracket	4	
	WL108001L	Washer Spring-Fixing Support Bracket	2	
	NH108041L	Nut-Fixing Support Bracket	2	
	SH106161L	Bolt-Fixing Support Bracket	2	
	WA106041L	Washer Plain-Fixing Support Bracket	4	
	WL106001L	Washer Spring-Fixing Support Bracket	2	
	NH106041L	Nut Fixing Support Bracket	2	



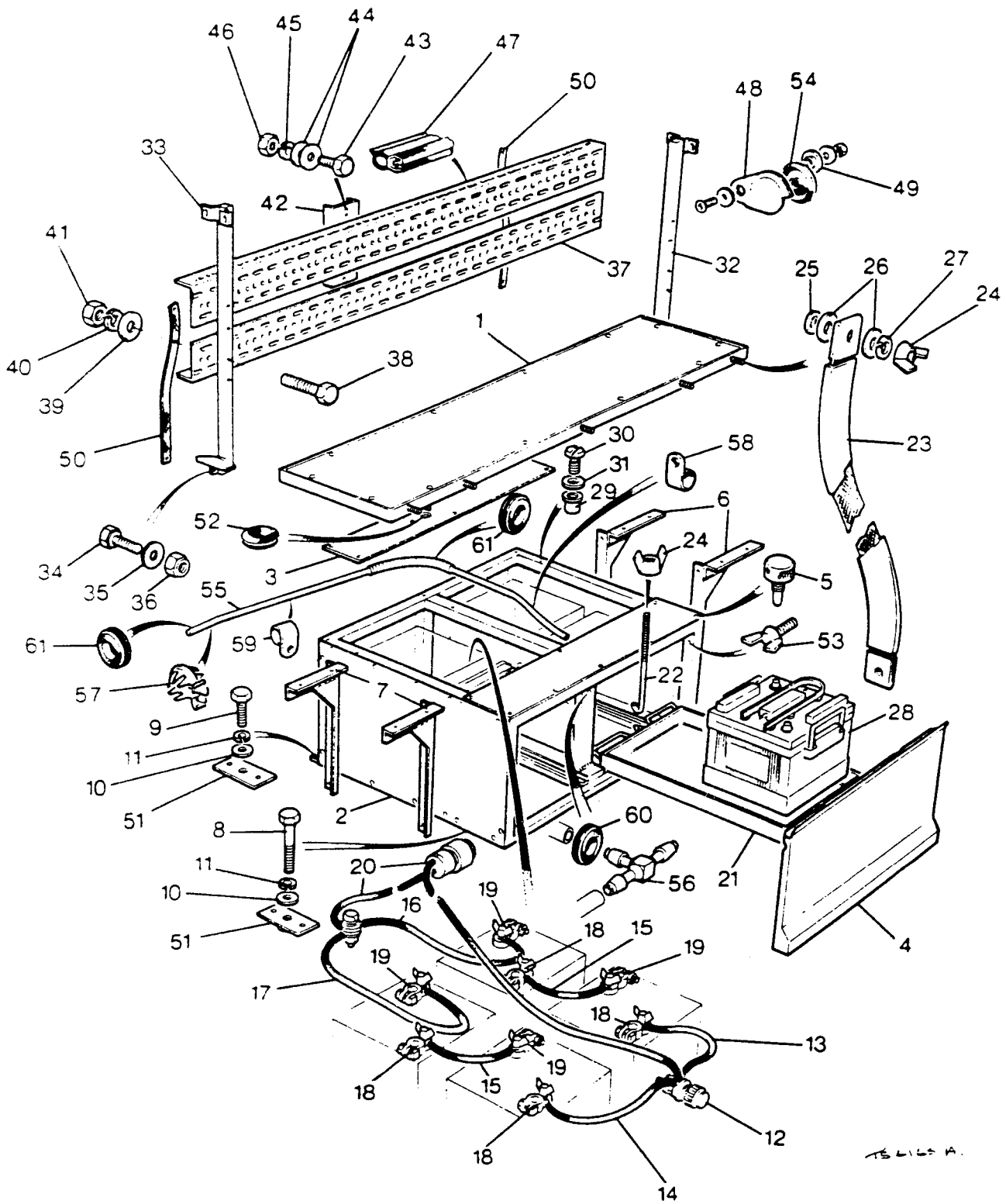
TE LICA

MODEL DEFENDER  
BLOCK TS 6165/A

MODULE CE015

BODY - RADIO EQUIPMENT

ILL	PART NO	DESCRIPTION	QTY	REMARKS
	RRC5341	Radio Table Assembly Complete with Battery Stowage	1	
1	RRC2662	Frame Radio Table	1	
2	RRC5345	Battery Box Assembly	1	
3	RRC5346	Battery Box-Closing Panel Top Rear	1	
4	RRC2615	Door Battery Box	1	
5	RRC2742	Catch-Battery Box Door	2	
6	RRC3690	Reinforcement Panel Battery Box to Radio Table RH	2	
7	RRC3691	Reinforcement Panel Battery Box to Radio Table LH	2	
8	BH108181L	Bolt Fixing Battery Box to Floor Front	2	
9	BH108251L	Bolt Fixing Battery Box to Floor Rear	2	
10	WA108051L	Washer Plain)Battery Box to	4	
11	WL108001L	Washer Spring)Floor	4	
12	PRC3460	Terminal Vehicles (POS) Stowage	1	NLS
13	PRC3960	Lead-Battery POS to Terminal RH	1	
14	PRC3961	Lead-Battery POS to Terminal LH	1	
15	552770	Battery Link Lead	2	
16	PRC3957	Lead Neg, Battery to Bolt Terminal RH	1	NLS
17	PRC3958	Lead Neg, Battery to Bolt Terminal LH	1	NLS
18	531587	Battery Lug POS	2	
19	531588	Battery Lug NEG	2	
20	RRC5348	Cable Assembly-Terminal Box to Radio Table	1	
21	RRC1994	Battery Tray	2	
22	RRC2258	J Bolt-Battery	4	
23	MRC8499	Earth Braid	2	
24	NA106041	Wing Nut (Fixing Braid & J Bolt)	8	
25	WE106001	Washer Shakeproof)Fixing	5	
26	WC106041	Washer Plain )Earth	18	
27	WL106001	Washer Spring )Braid	20	
28	606635	Battery Radio	2	DFS
29	NN105021	Nutsert )Fixing Closing	6	
30	SP105121	Screw )Panel Top Rear	6	
31	WC105001L	Washer Plain)	6	



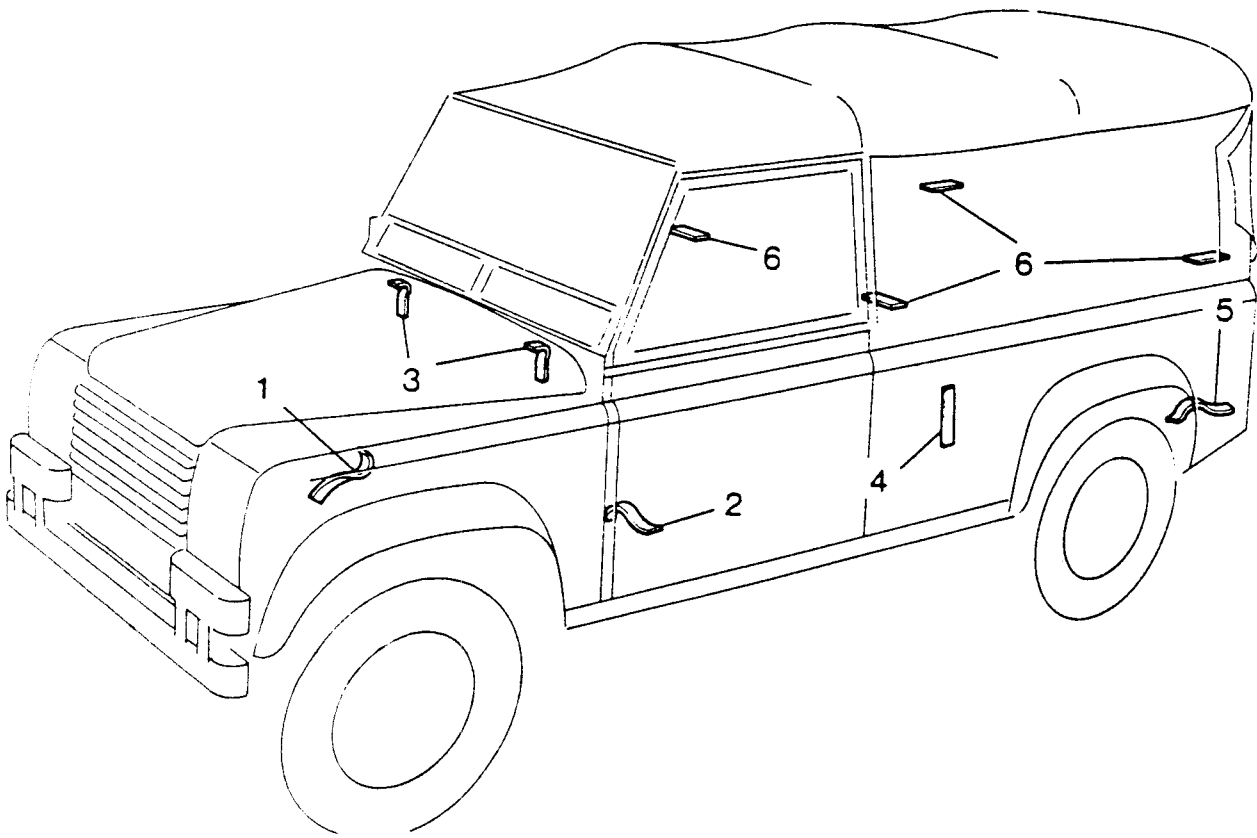
MODEL DEFENDER  
BLOCK TS 6165/A

MODULE CE015

BODY - RADIO EQUIPMENT - CONTINUED

ILL	PART NO	DESCRIPTION	QTY	REMARKS
32	RRC3636	Support, Radio Rack RH	1	
33	RRC3637	Support, Radio Rack LH	1	
34	SH106161L	Bolt )Fixing Radio	8	
35	WA106041L	Washer Plain )Support Upper	8	
36	NY106041L	Nyloc Nut )And Lower	8	
37	RRC3573	Perforated Angle Equipment Rack	2	
38	SH108351L	Bolt )	8	
39	WA108051L	Washer Plain )Fixing Angle	8	
40	WL108051L	Washer Spring)	8	
41	NH108041L	Nut )	8	
42	396112	Channel Equipment Rack	1	
43	SH106201L	Bolt )Fixing Channel	12	
44	MRC5525	Washer Plain )to Equipment	6	
45	WL106001L	Washer Spring)Rack	6	
46	NH106041L	Nut )	12	
47	MWC2567	Edge Protection	A/R	
48	RRC3643	Cover-Grommet	2	
49	RRC3644	Spacer-Grommet Cover	2	
50	PRC5851	Bonding Lead	2	
51	RRC2128	Nut Plate	4	
52	269257	Grommet	1	
53	RRC2012	Wing Stud	2	
54	236390	Grommet-Aerial Lead Outlet	2	
55	RRC4960	Tubing-Radio Battery Venting	A/R	
56	RRC4956	Tee-Piece	2	
57	RRC4968	Clip-Tube to Bulkhead	1	
58	562947	Clip-Tube to Battery Frame	2	
59	50639	Clip-Tube to Bulkhead	3	
60	RRC5074	Grommet	1	
61	RRC4965	Grommet	2	

NLS = No Longer Serviced  
DFS = Direct from Supplier



T55611

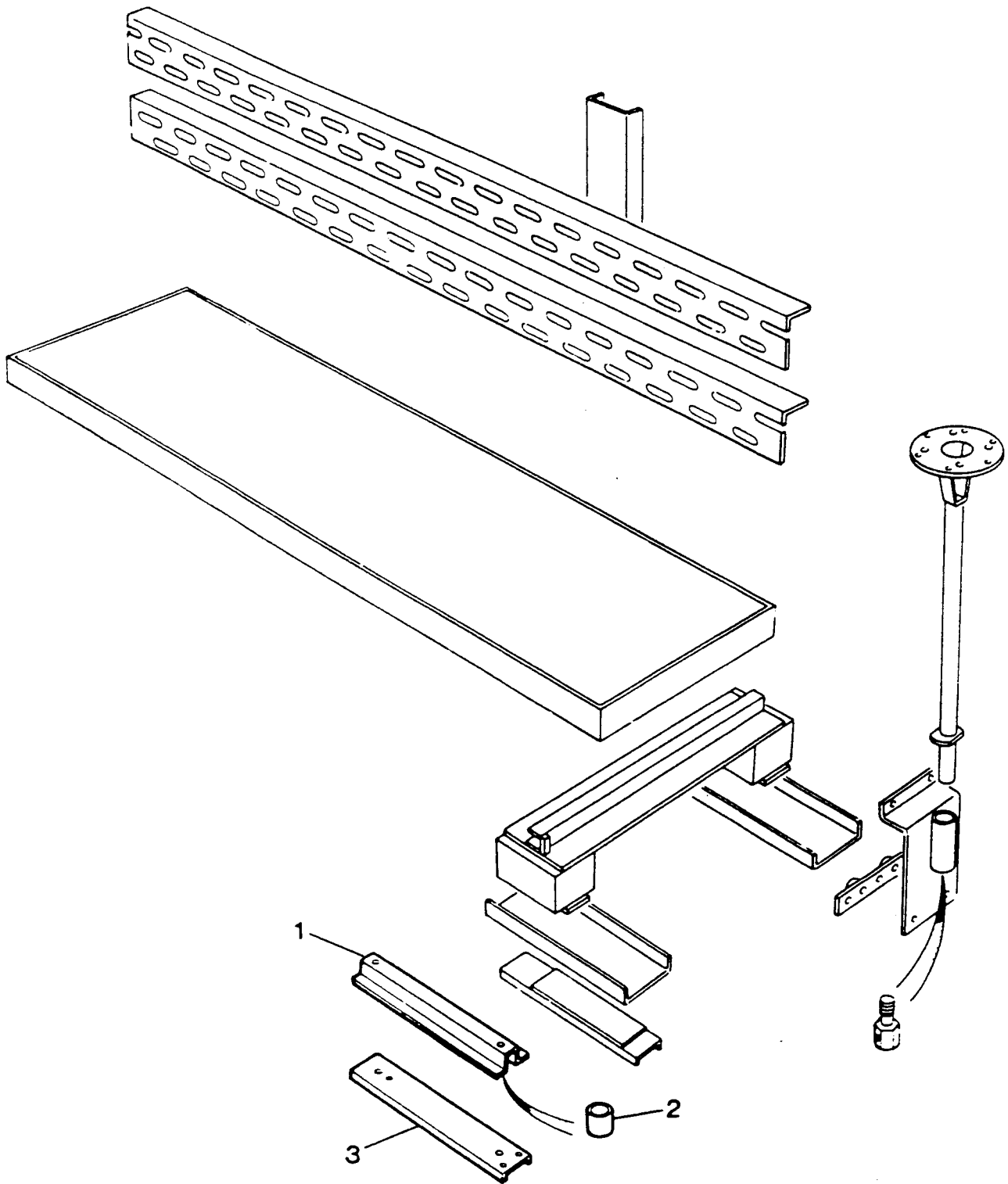
MODEL DEFENDER  
BLOCK TS 5611

MODULE CE015

BONDING LEADS

ILL	PART NO	DESCRIPTION	QTY	REMARKS
1	552632	Bonding Lead-Toe-Box to Chassis	1	
	SH106201L	Screw )	1	
	WA106041L	Plain Washer )Lead to Toe-Box	2	
	WL106001L	Spring Washer)	1	
	NH106041L	Nut )	1	
2	552632	Bonding Lead-Gearbox to Chassis	1	
	SH108161L	Screw )Lead to Gearbox	1	
	WL108001L	Spring Washer)	1	
3	552632	Bonding Lead-Bonnet to Dash Panel	2	
	72628	Screw )Lead to Dash	2	
	WC106041L	Plain Washer)Panel	2	
4	552632	Bonding Lead-Rear Body to Chassis	2	
	SH106161L	Screw )	2	
	WA106041L	Plain Washer ) Lead to Rear	4	
	WL106001L	Spring Washer) Body	2	
	NH106041L	Nut )	2	
	SH108161L	Screw )	2	
	WA108051L	Plain Washer )Lead to	4	
	WL108001L	Spring Washer )Chassis	2	
	NH108041L	Nut )	2	
5	PRC5280	Bonding Lead-Chassis to Exhaust Retainer	1	
	NH108041L	Nut-Lead to Exhaust Retainer	1	
	SH105251L	Screw )	1	
	WA105001L	Plain Washer )Lead to Chassis	2	
	WL105001L	Spring Washer)	1	
	NH105041L	Nut )	1	
6	552633	Bonding Lead-Rear Body Capping	4	
	AB606031L	Screw-Lead to Body Capping	8	





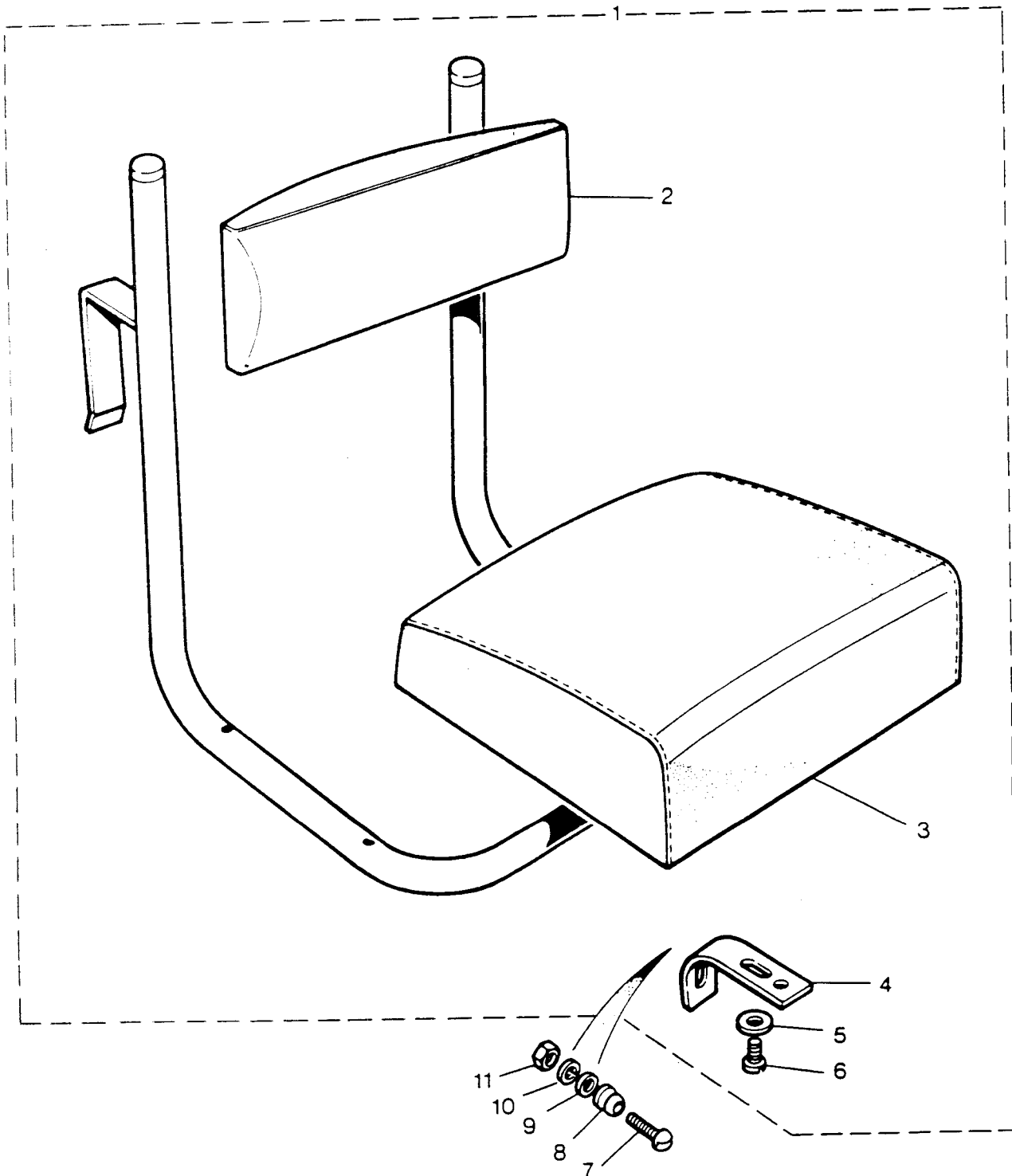
TS 0198

MODEL DEFENDER  
BLOCK TS 6198

MODULE CE015

BODY - RADIO EQUIPMENT SUPPORTS

ILL	PART NO	DESCRIPTION	QTY	REMARKS
1	334776	Stiffener Wheelarch Box	6	
2	334897	Distance Tube	12	
	BH108081L	Bolt )Fixing	12	
	WA108051L	Washer Plain )Stiffener to	12	
	WL108001L	Washer Spring)Wheelarch Top	12	
	NH108041L	Nut M8 )	12	
3	336517	Stiffener Radio Front	2	
	336518	Stiffener Radio Intermediate RH	1	
	336519	Stiffener Radio Intermediate LH	1	
	RU612183	Pop Rivet Stiffeners to Wheelarch Box	16	



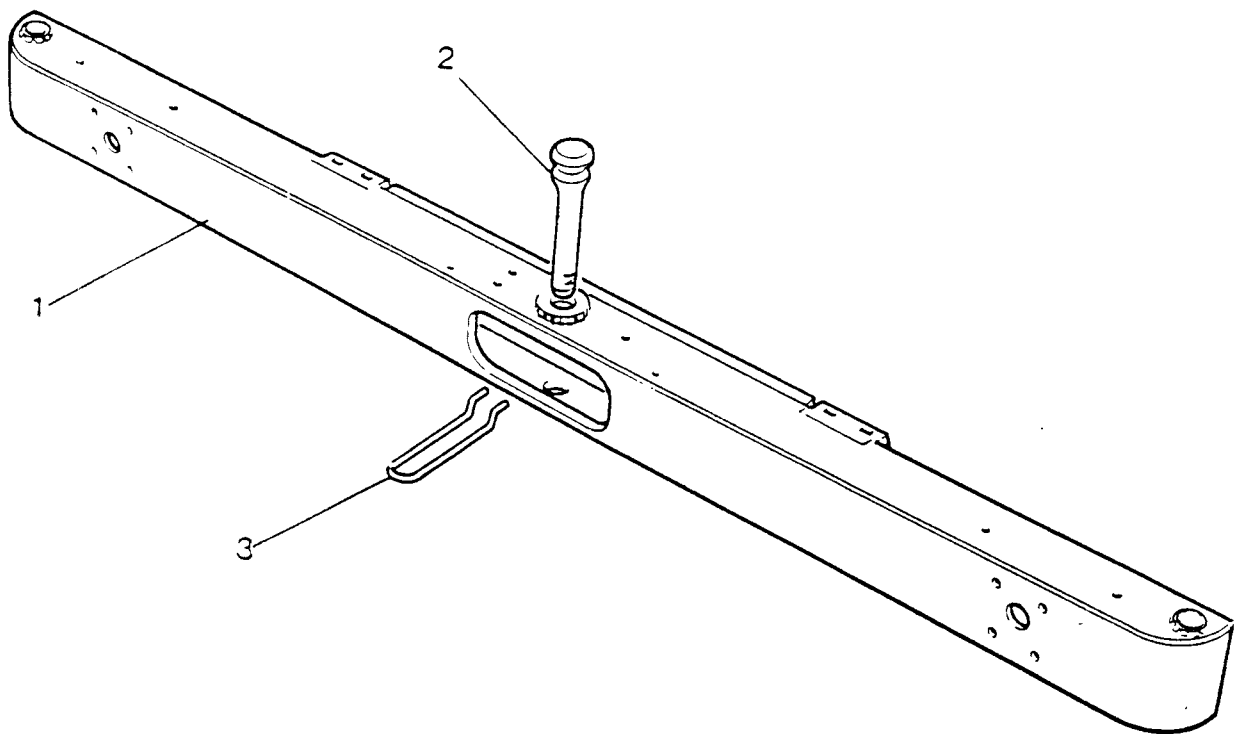
VS1281

MODEL DEFENDER  
BLOCK VS 1281

MODULE CE015

RADIO OPERATOR'S SEAT (GREY)

ILL	PART NO	DESCRIPTION	QTY	REMARKS
1	RRC5513LCS	Seat-Complete Assembly	2	
2	RRC5514LCS	Backrest (Grey)	2	
3	RRC5515LCS	Cushion (Grey)	2	
4	MRC1813	Retaining Strap	2	
5	RTC615	Plain Washer	2	
6	SE105251L	Screw	2	
7	78120	Screw	2	
8	348430	Bollard for Loose Seat Retaining Strap	2	
9	RTC615	Plain Washer	2	
10	WM702001L	Spring Washer	2	
11	RTC608	Nut	2	



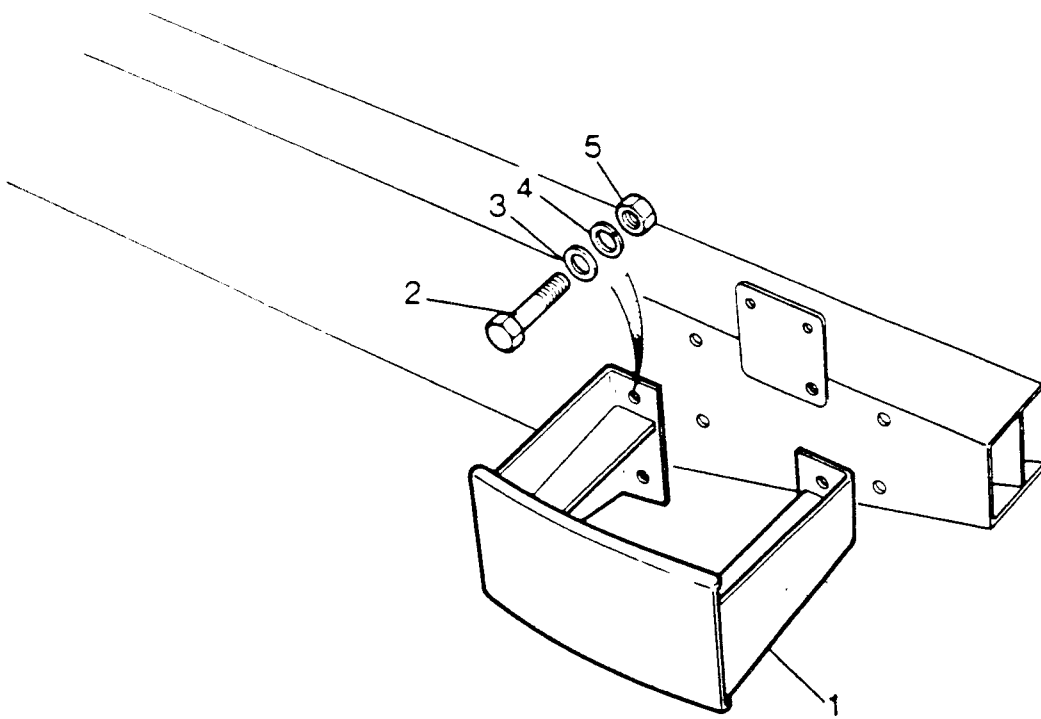
TS6974

MODEL DEFENDER  
BLOCK TS 6974

MODULE CH027

BODY - FRONT BUMPER

ILL	PART NO	DESCRIPTION	QTY	REMARKS
1	RRC6195	Front Bumper	1	
2	RRC6681	Towing Pin	1	
3	RRC6682	Spring - Towing Pin	1	



156485/c

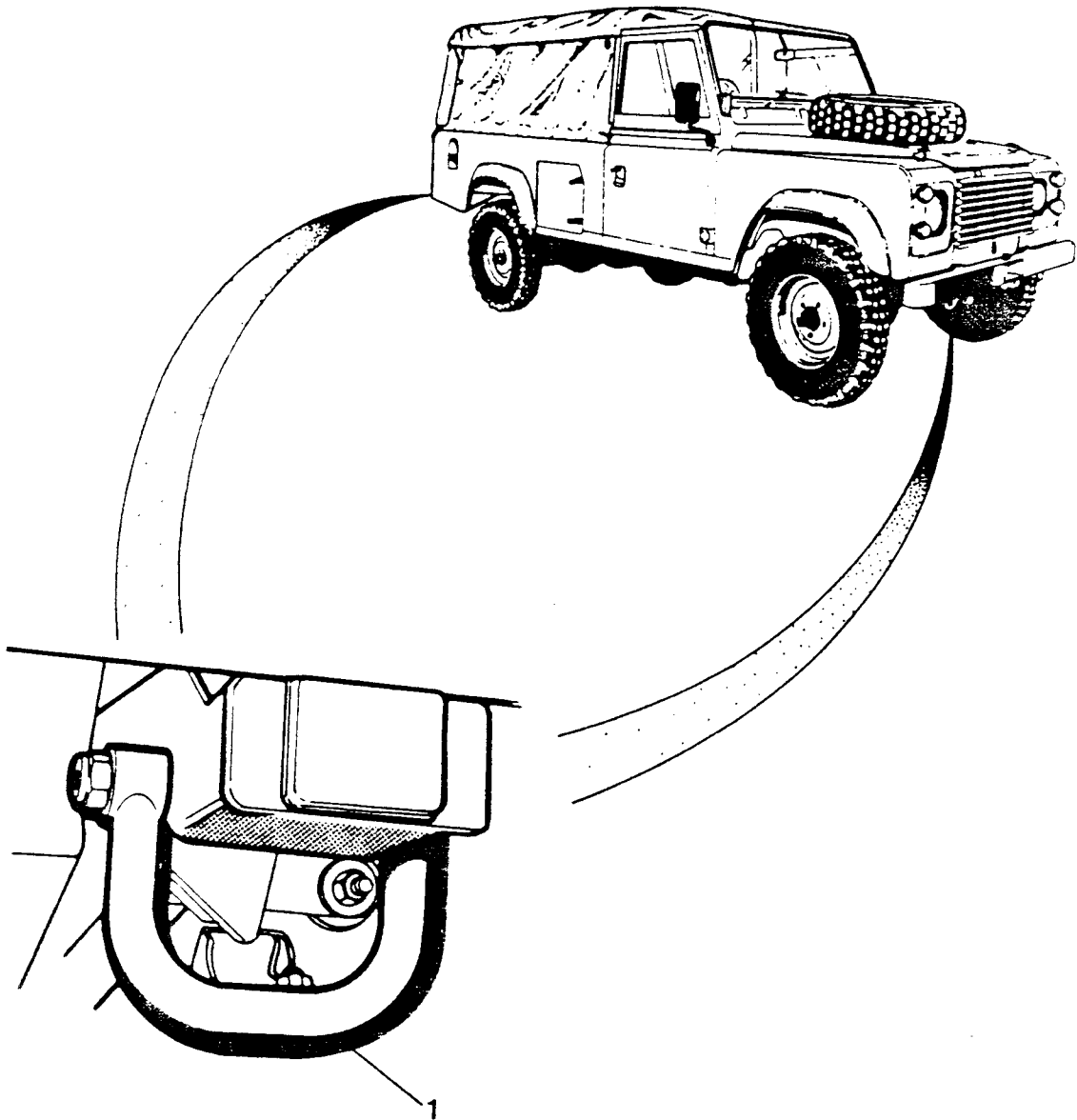
MODEL DEFENDER  
BLOCK TS 6485/C

MODULE CH027

BODY - BUMPERETTES (BLACK)

ILL	PART NO	DESCRIPTION	QTY	REMARKS
1	RRC5410	Bumperette-RH Rear	1	
	RRC5409	Bumperette-LH Rear	1	
2	BH110145L	Bolt )Fixing	8	
3	WA110065L	Washer Plain )Bumperette to	8	
4	WL110001L	Washer Spring)Rr Crossmember	8	
5	NY110041L	Nut )	8	
	MWC1722	Reflector-Rear	2	
	NRC9707	Strap-Mounting Reflector	2	
	RA612533	Rivet-Reflector to Strap	4	
	BH110145	Bolt )Strap to	2	
	WA110061L	Washer-Plain )Crossmember	4	
	NY110041L	Nut )	2	





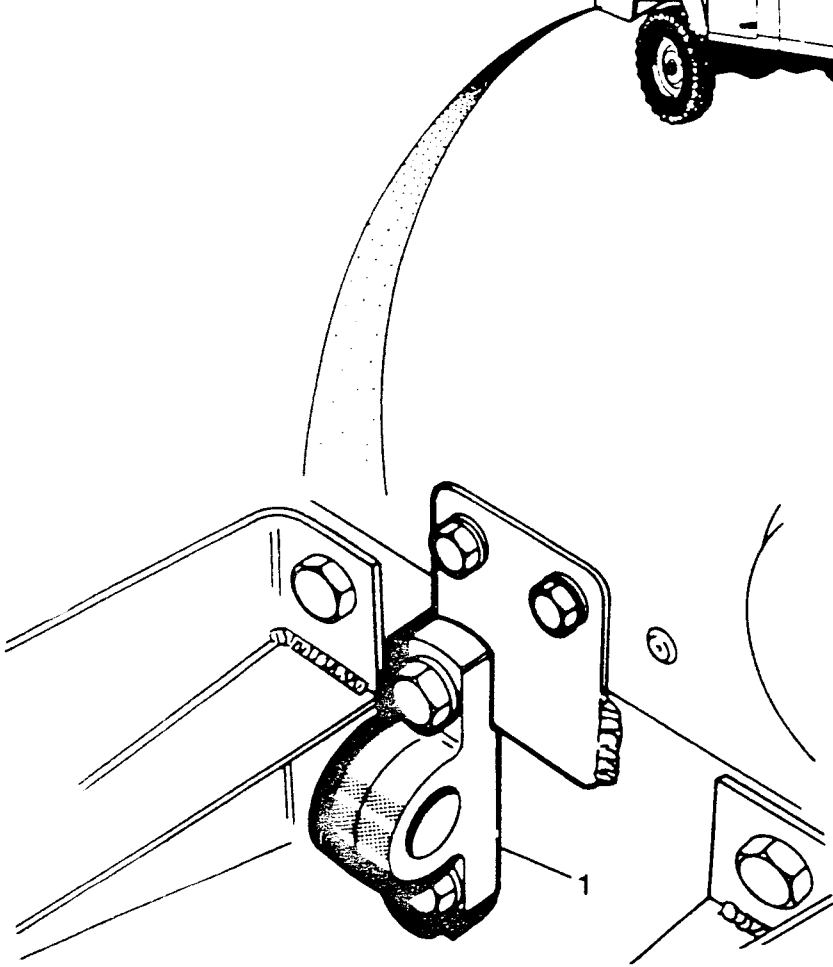
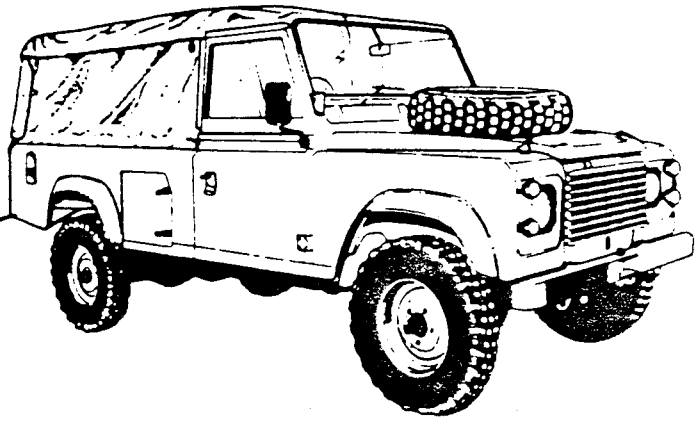
TS 6131

MODEL DEFENDER  
BLOCK TS 6131

MODULE TE062

BODY - LIFTING & LASHING RINGS

ILL	PART NO	DESCRIPTION	QTY	REMARKS
1	RRC3237	Lifting & Lashing Rings	4	
	BH110281L	Bolt )Fixing Lifting &	4	
	WC110061L	Spacer)Lashing Ring	4	
	NY110041L	Nut )	4	



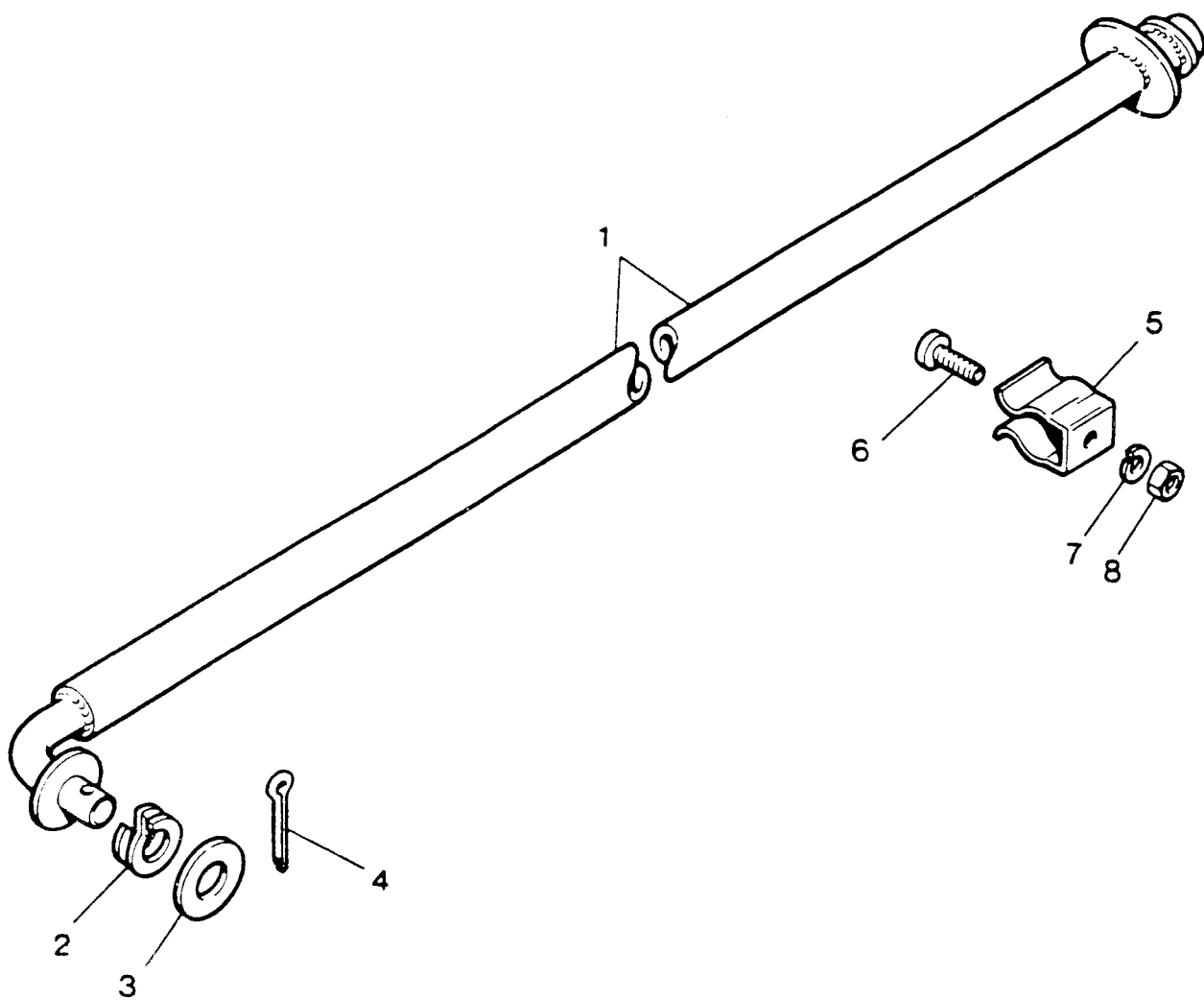
TS5130

MODEL DEFENDER  
BLOCK TS 5130

MODULE TE062

BODY - LIFTING RING (REAR)

ILL	PART NO	DESCRIPTION	QTY	REMARKS
1	NRC4853	Lifting Ring	2	
	NRC4854	Backing Plate	2	
	BH110181L	Bolt )	4	
	WA110061L	Washer Plain )	4	Fixing Lifting
	WL110001L	Washer Spring )	4	Ring
	NH110041L	Nut )	4	



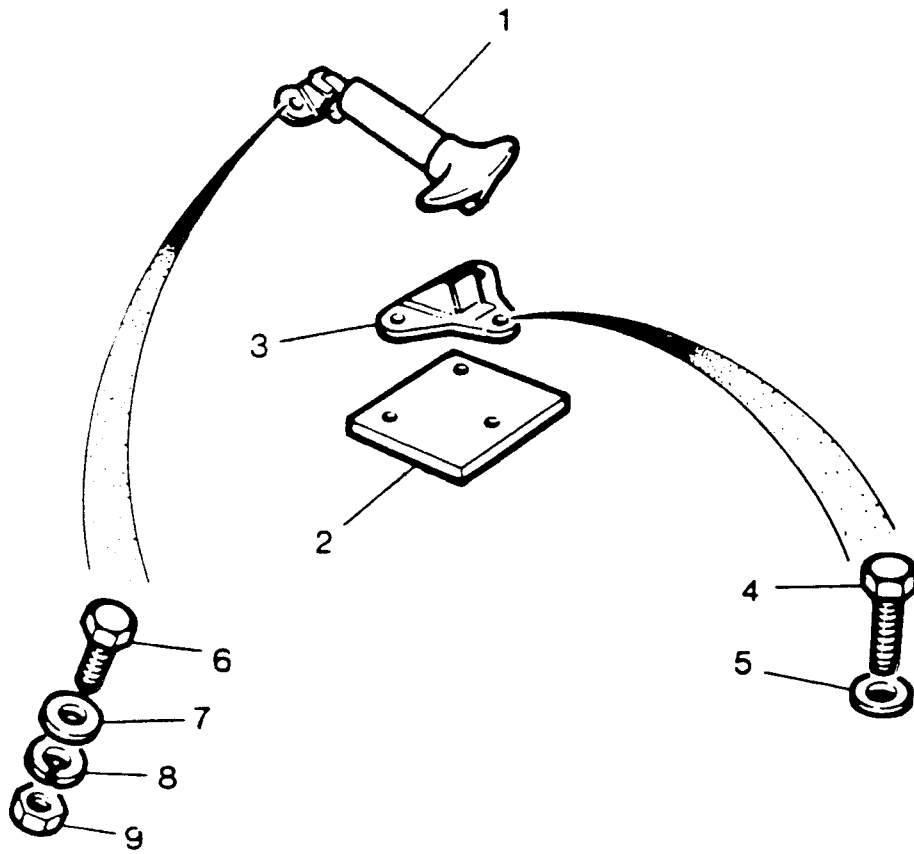
V53795

MODEL DEFENDER  
BLOCK VS 3795

MODULE BF035

BODY - BONNET PROP

ILL	PART NO	DESCRIPTION	QTY	REMARKS
1	MTC2220	Bonnet Prop	1	
2	WS600061L	Washer-Spring )Fixing Prop	1	
3	WL110001L	Washer-Plain )to Bonnet	1	
4	PS106161L	Split Pin )	1	
5	MRC7623	Clip-Prop Rod Stowage	1	
6	SP104101L	Screw ) Fixing Clip	1	
7	WL104001L	Washer ) to Bonnet	1	
8	NH104041L	Nut )	1	



VS1443

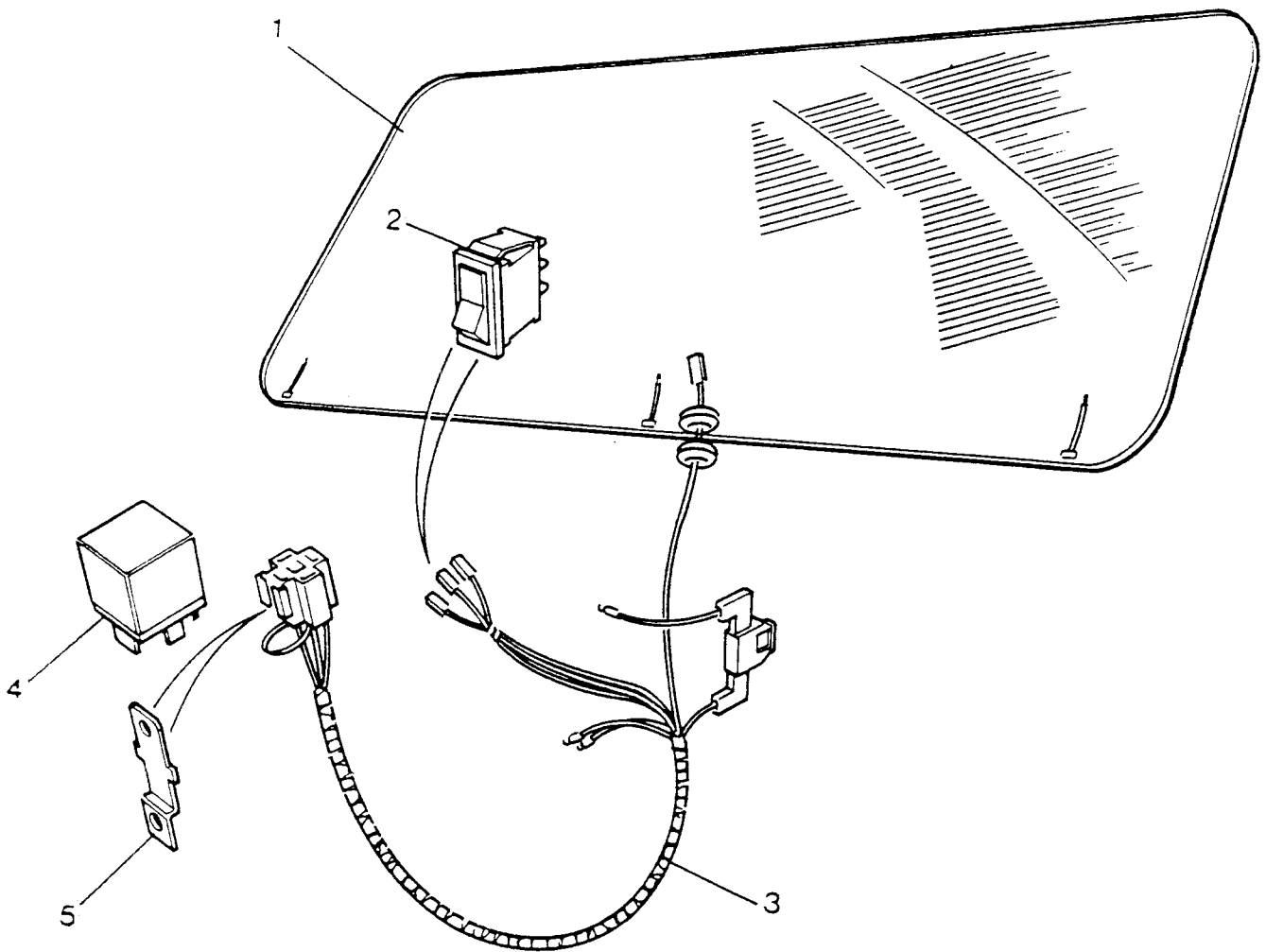
MODEL DEFENDER  
BLOCK VS 1443

MODULE BF035

BODY - BONNET FASTENER

ILL	PART NO	DESCRIPTION	QTY	REMARKS
1	MRC5314	Bonnet Fastener	2	
2	RRC3815	Tapped Plate-Bonnet Fastener	2	
3	300693	Staple	2	
4	SH105161L	Screw	3	
5	WL105001L	Spring Washer	3	
6	SH106141L	Screw	2	
7	WC106041L	Plain Washer	2	
8	WL106001L	Spring Washer	2	
9	NH106041L	Nut	2	





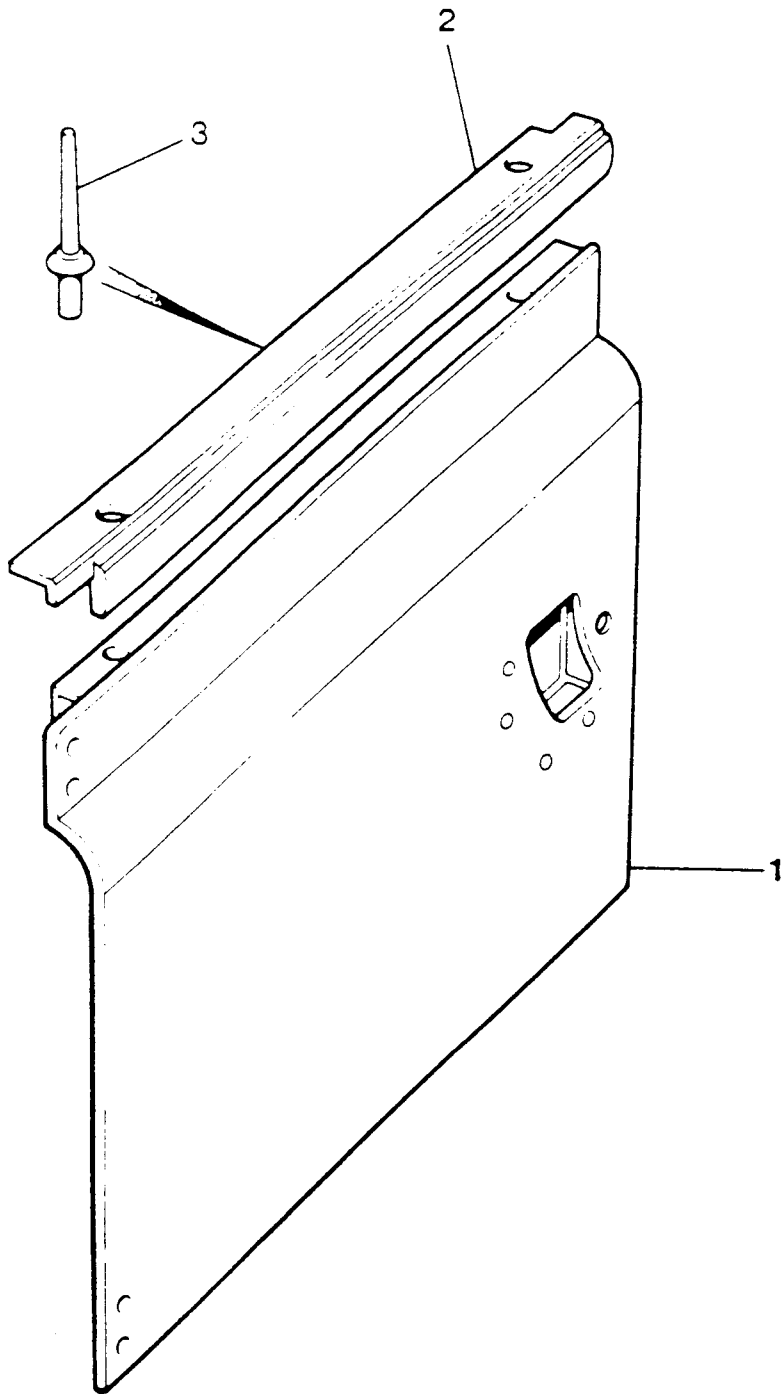
TS.6965.

MODEL DEFENDER  
BLOCK TS 6965

MODULE N534F

BODY - WINDSCREEN - HEATED

ILL	PART NO	DESCRIPTION	QTY	REMARKS
1	RRC7310	Windscreen - Heated	1	
2	RRC7311	Switch - Heated Windscreen	1	
3	RRC7326	Harness - Heated Windscreen	1	
4	PRC7303	Relay - 70 amp	1	
5	DRC1245	Bracket - Mounting Relay	1	



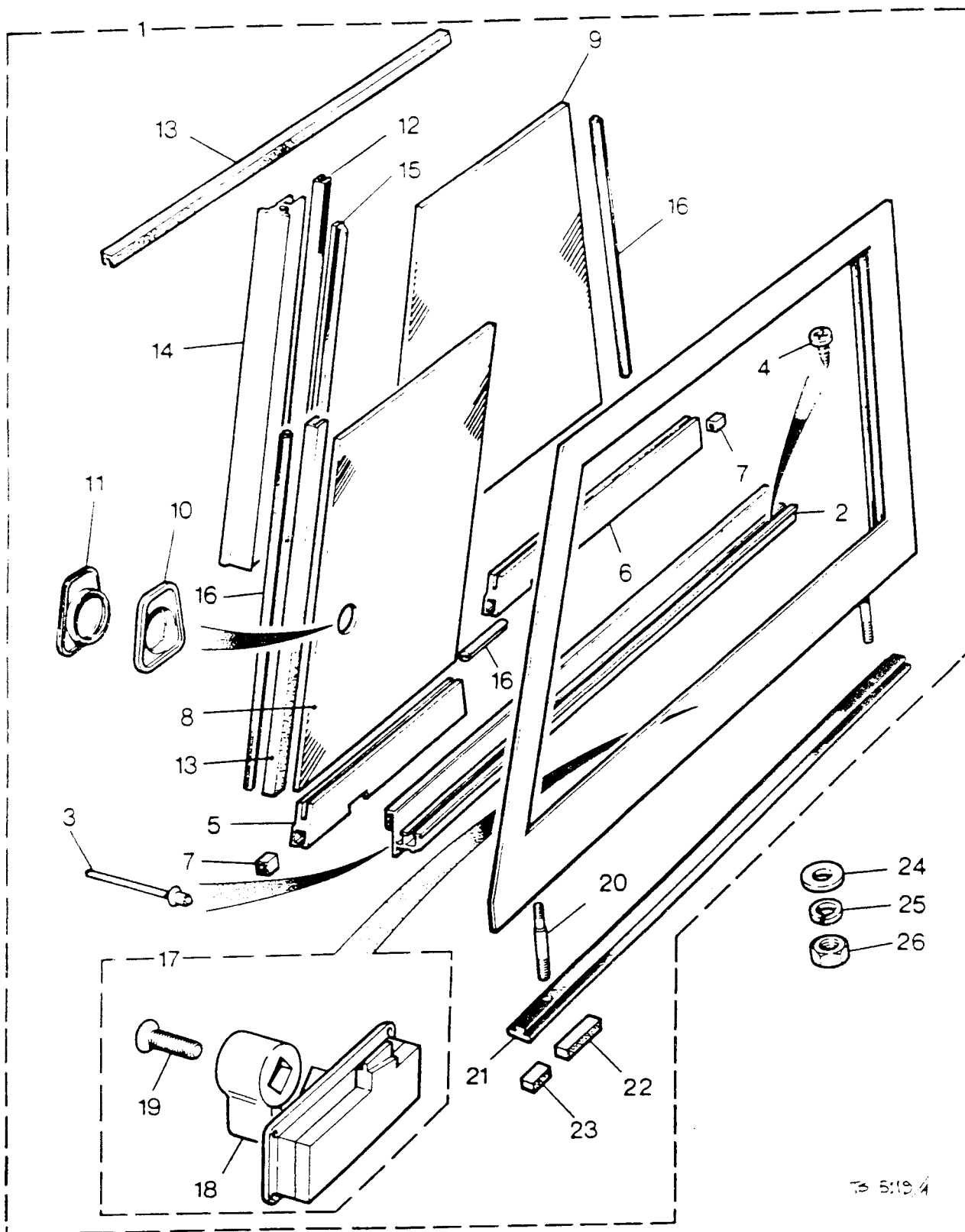
V53813

MODEL DEFENDER  
BLOCK VS 3813

MODULE DR033

BODY - FRONT DOORS

ILL	PART NO	DESCRIPTION	QTY
1	395532	Front Door Clinched Assy-LH	1
	395531	Front Door Clinched Assy-RH	1
2	RRC5035	Top Capping LH	1
	RRC5034	Top Capping RH	1
3	RU612253L	Rivet	6

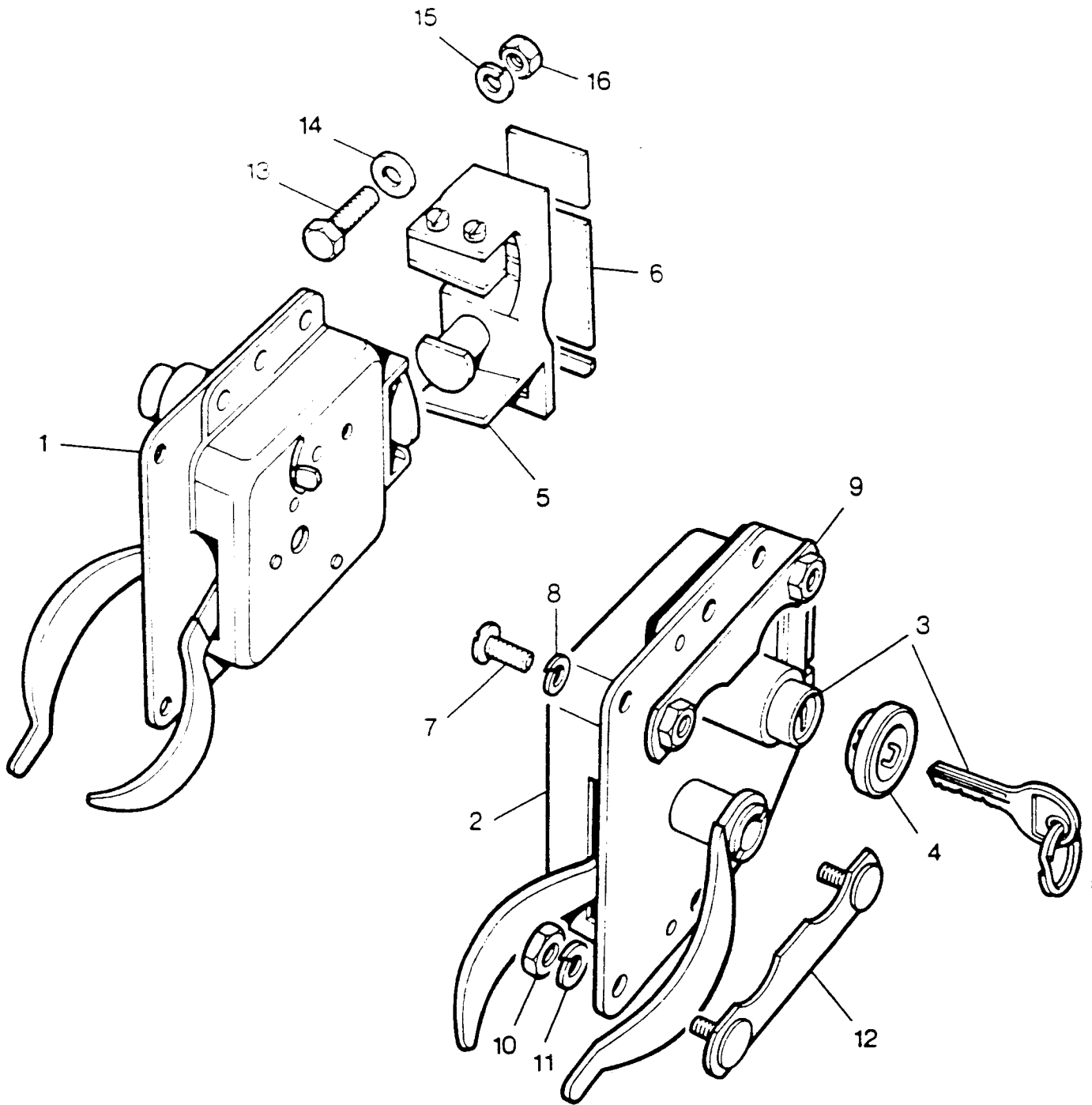


MODEL DEFENDER  
BLOCK TS 5119/A

MODULE DR033  
GL045

BODY - SIDESCREEN - FRONT DOOR

ILL	PART NO	DESCRIPTION	QTY	REMARKS
1	MWC4747	Sidescreen Assembly LH	1	
	MWC4746	Sidescreen Assembly RH	1	
2	MTC6207	Removable Rail LH	1	
	MTC6206	Removable Rail RH	1	
	MUC3746	Draught Seal-Removable Rail	4	
3	AFU2637	Rivet	4	
4	AB606031L	Screw-Fixing Rail	8	
5	MTC6209	Slide Rail-Outer LH	1	
	MTC6208	Slide Rail-Outer RH	1	
6	MTC6211	Slide Rail-Inner LH	1	
	MTC6210	Slide Rail-Inner RH	1	
7	MTC6221	Runner Block	6	
8	MWC4718	Window Glass-Outer	2	)4mm
9	MWC4719	Window Glass-Inner	2	)Thickness
10	MWC4791	Finger Pull-Outer LH	1	
	MWC4790	Finger Pull-Outer RH	1	
11	MTC6278	Finger Pull-Inner LH	1	
	MTC6276	Finger Pull-Inner RH	1	
12	MWC4753	Glazing Rubber-Draught Rail	2	
	MWC4752	Glazing Rubber-Inner/Outer	4	
		Slide Rail		
13	MWC4757	Glazing Felt-Front/Rear	4	
		Vertical		
	MWC4757	Glazing Felt-Inner/Outer Top	4	
	MWC4757	Glazing Felt-Inner/Outer	4	
		Slide Rail		
14	MTC6215	Draught Rail LH	1	
	MTC6214	Draught Rail RH	1	
15	MTC6222	Weatherseal Rubber	2	
16	MTC7611	Infill Rubber-Front/Rear	4	
		Vertical		
	MTC7611	Infill Rubber-Outer/Slide	2	
		Rail		
17	RRC4879	Window Catch LH	1	
	RRC4878	Window Catch RH	1	
18	RRC4810	Knob for Catch	2	
19	ADU1221L	Screw	2	
20	MTC6223	Stud ) Sidescreen to Door	4	
21	MTC6224	Seal )	2	
22	MTC7549	Pad-Long	4	
23	MTC7550	Pad-Short	4	
24	WC110061L	Plain Washer )	4	
25	WL110001L	Spring Washer) Sidescreen to	4	
26	NH110041L	Nut ) Door	4	



4RE143

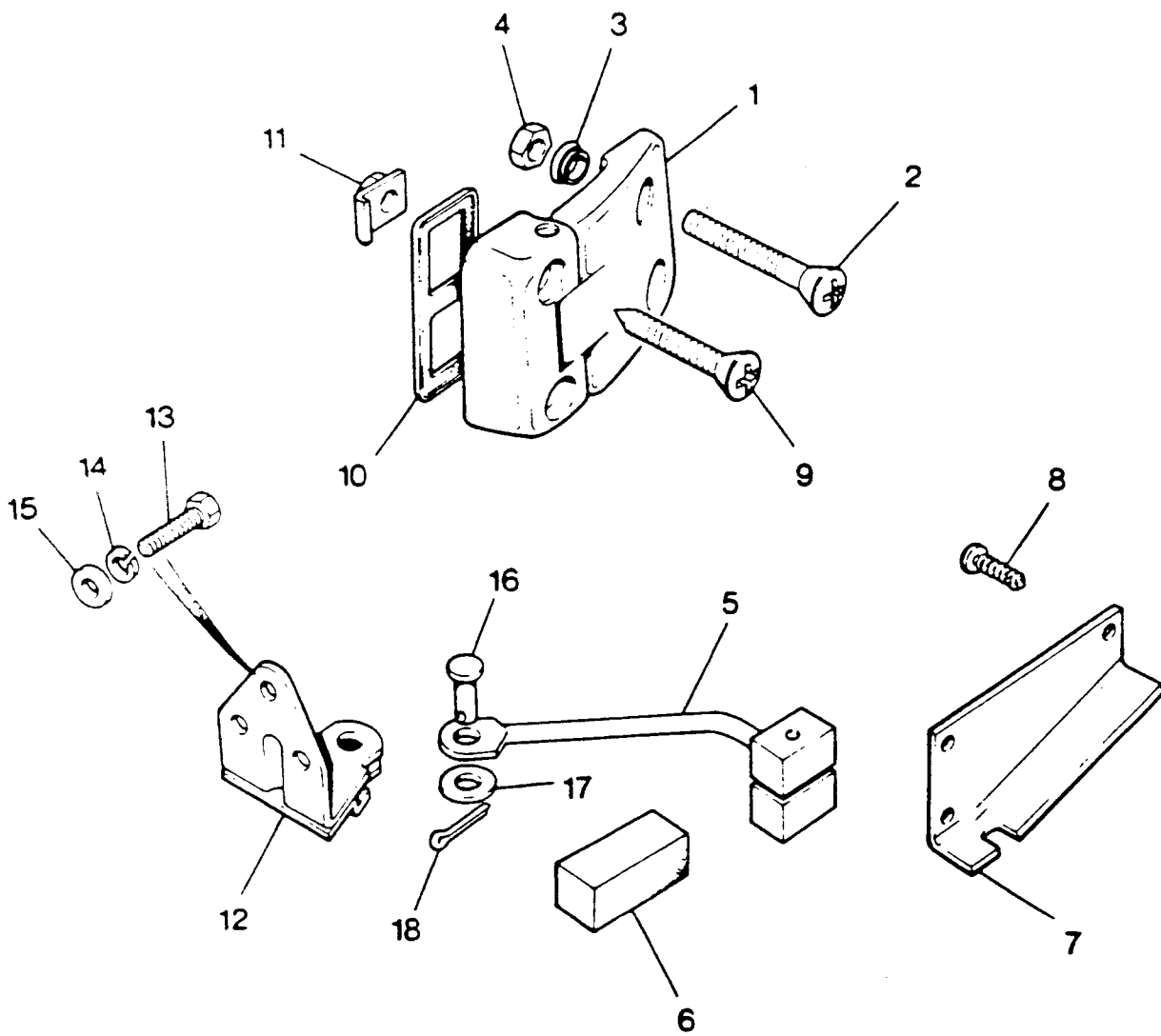
MODEL DEFENDER  
BLOCK 4RE 143

MODULE DR033

BODY - LOCKS - ANTI-BURST - FRONT DOOR

ILL	PART NO	DESCRIPTION	QTY	REMARKS
1	395038	Door Lock LH	1	
2	395037	Door Lock RH	1	
	MTC6858	Seal-Lock to Door	2	
3	395056	Barrel Lock and Keys	1	
4	347151	Seal-Lock	2	
5	395295	Striker LH	1	
	395294	Striker RH	1	
6	395078	Shim-Striker	A/R	
7	SE106161L	Screw )	4	
8	WL106001L	Washer-Spring )	4	
9	MRC9417	Nut Retainer )Locks to	2	
10	NH106041L	Nut )Door	4	
11	WL106001L	Washer-Spring )	4	
12	MRC9416	Screw Retainer )	2	
13	SH106201L	Screw )	4	
14	AFU1259	Washer-Plain )Striker to	4	
15	WL106001L	Washer-Spring )Body	4	
16	NH106041L	Nut )	4	





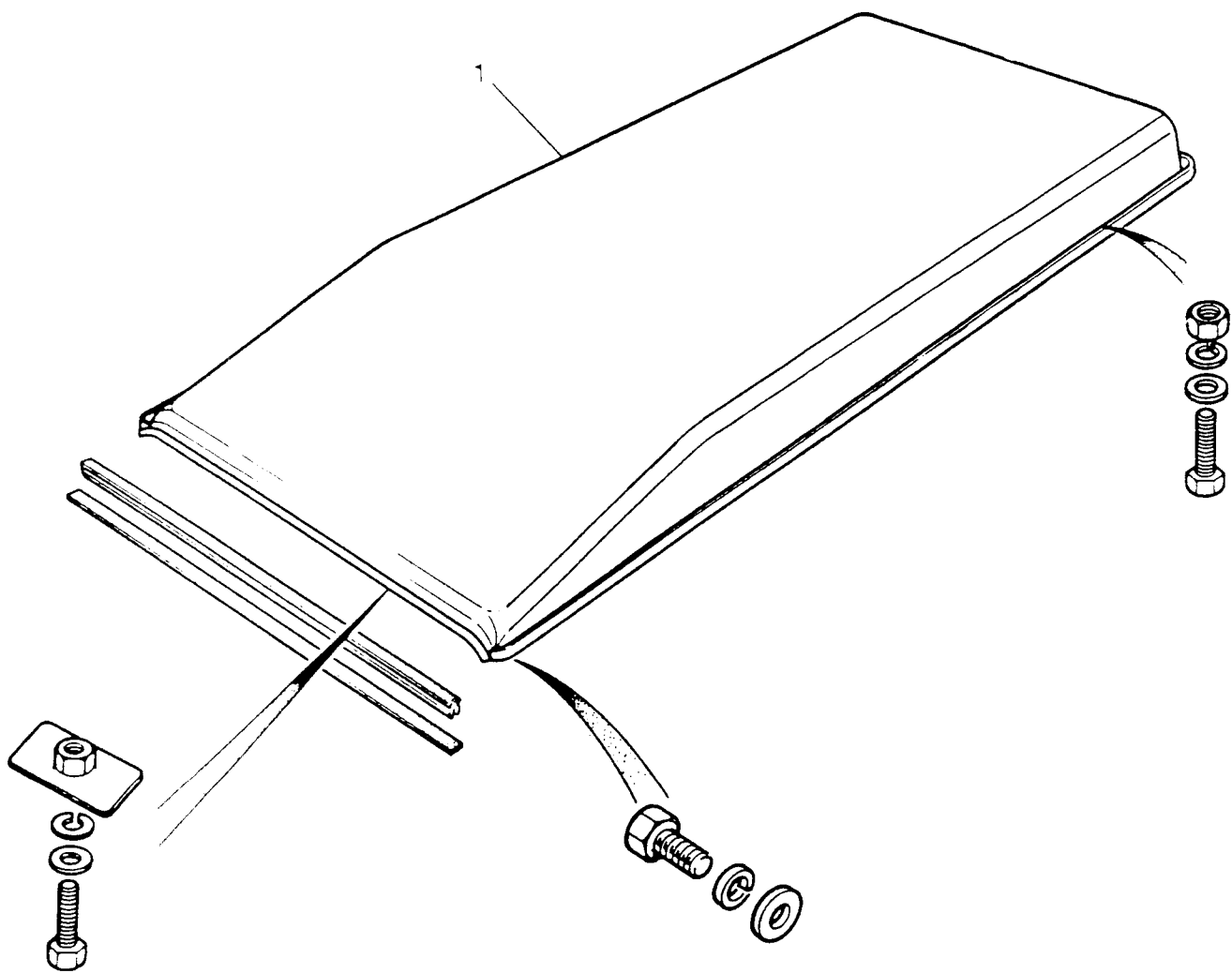
2RE243

MODEL DEFENDER  
BLOCK 2RE 243

MODULE DR033

BODY - FRONT DOORS

ILL	PART NUMBER	DESCRIPTION	QTY	REMARKS
1	MRC3038	Hinge-Upper LH	1	
	MRC3037	Hinge-Upper RH	1	
	347363	Hinge-Lower LH	1	
	347362	Hinge-Lower RH	1	
2	MRC2762	Screw )	8	
3	MRC1980	Nylon Washer) Hinge to Door	8	
4	NH605041L	Nut )	8	
5	395538	Checkstrap Rod	2	
6	395481	Buffer	2	
7	346928	Retainer LH	1	
	346927	Retainer RH	1	
8	AB606031L	Screw-Fixing Retainer	6	
9	GD110401	Screw )	8	
10	347369	Seating Washer )Hinge to Dash	4	
11	MRC2178	Nut Retainer )	8	
12	346878	Retaining Bracket	2	
13	SH106201L	Bolt )Bracket	4	
14	WL106001L	Spring Washer )to Dash	4	
15	WA106041L	Plain Washer )	4	
16	PC108241	Clevis Pin )Check Strap Rod	2	
17	WA108051L	Plain Washer )to Retaining	2	
18	PS103101	Split Pin )Bracket	2	



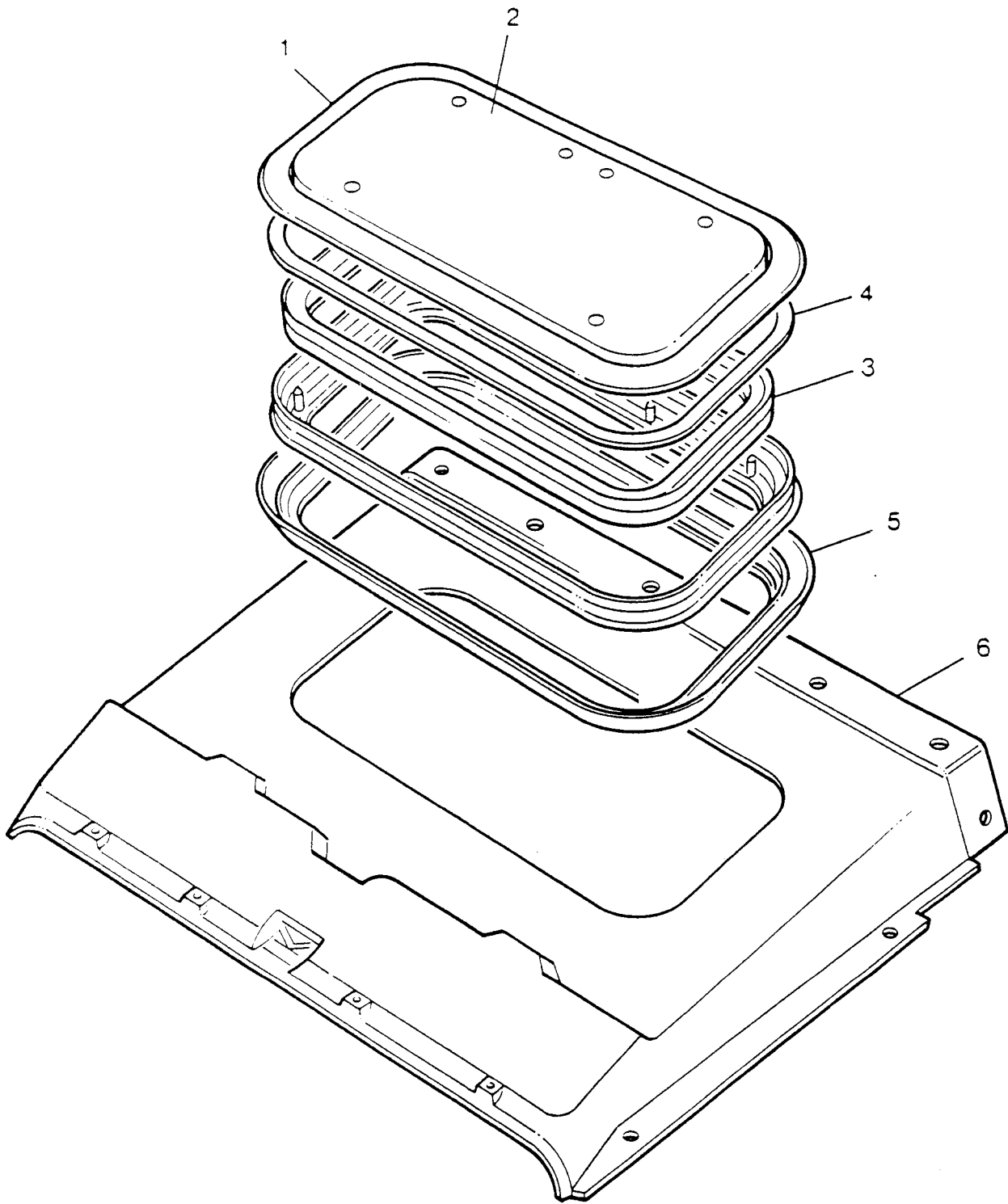
TS 5494/C

MODEL DEFENDER  
BLOCK TS 5494/C

MODULE BU044

BODY - ROOF

ILL	PART NO	DESCRIPTION	QTY	REMARKS
1	MWC9480	Roof	1	No Vent Panels



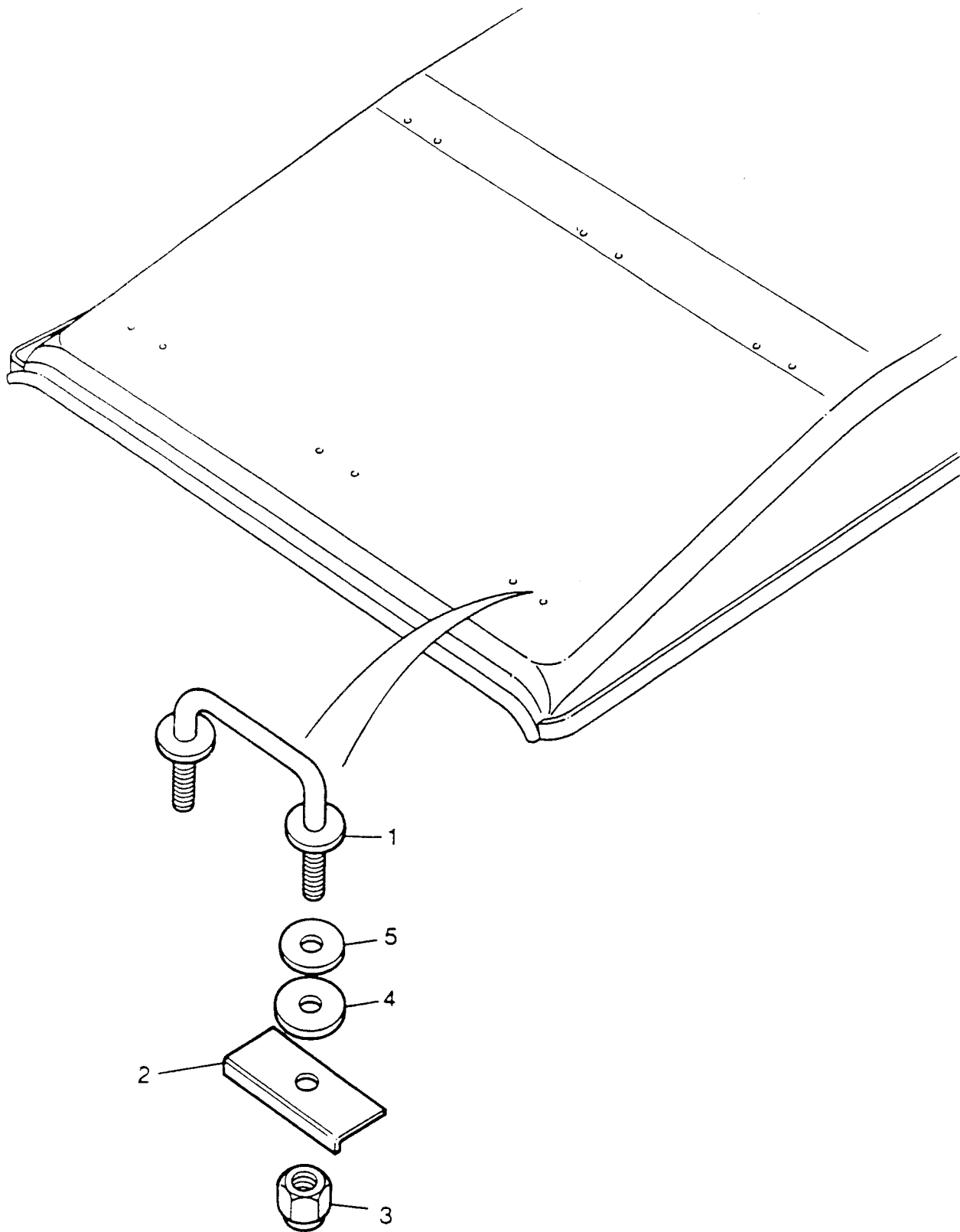
TS6972

MODEL DEFENDER  
BLOCK TS 6972

MODULE N431F

BODY - HATCH - ESCAPE

ILL	PART NO	DESCRIPTION	QTY	REMARKS
1	RRC7402	Hatch - Escape	1	
2	RRC7037LUH	Panel - Trim	1	
3	STC385	Seal - Panel to Frame	1	
4	STC384	Seal - Hatch to Roof	1	
5	STC386	Trim Finisher - Interior	1	
6	BTR1220LUH	Headlining - Front	1	



TS 6953.

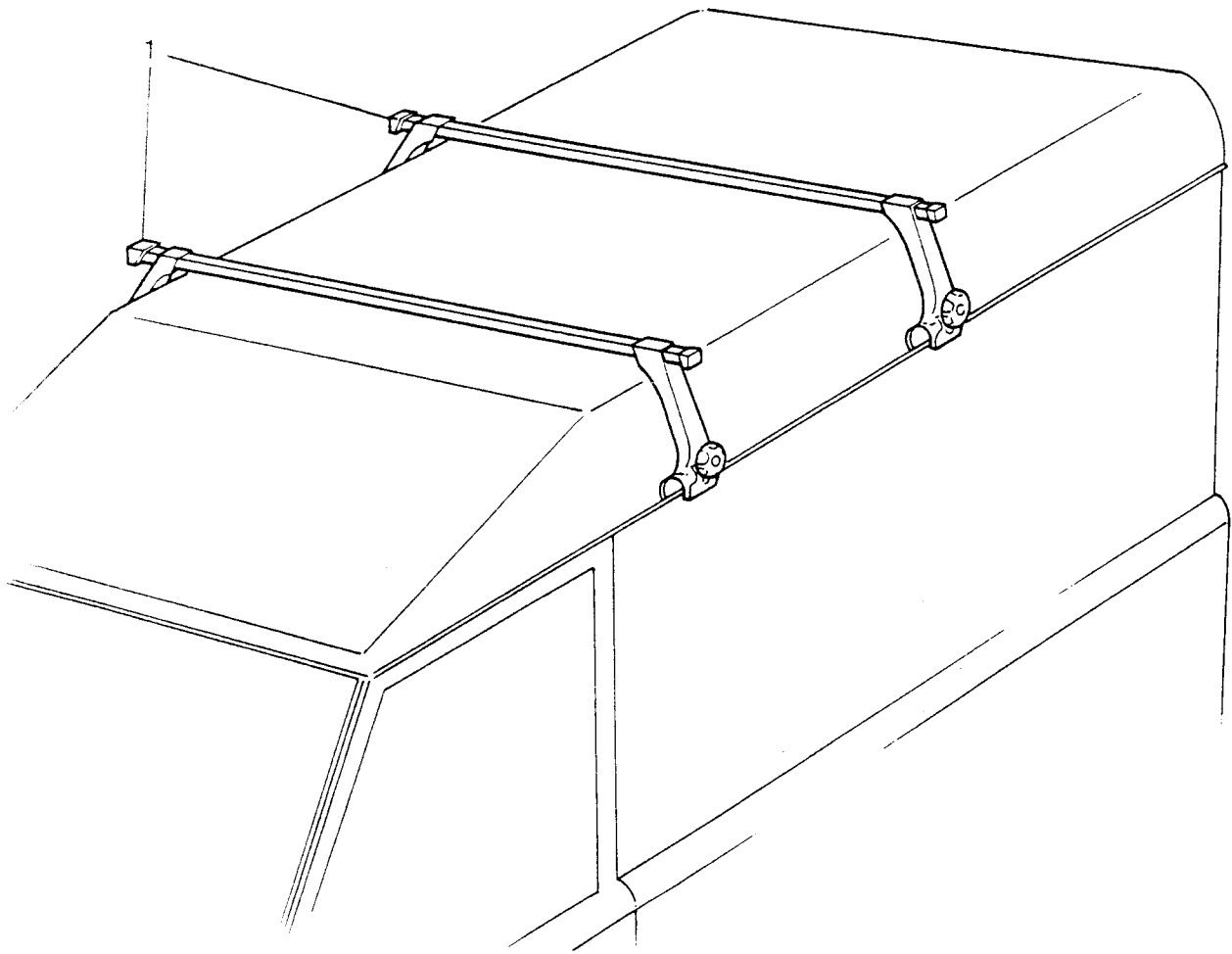
MODEL DEFENDER  
BLOCK TS 6953

MODULE N434F

CAMOUFLAGE NET STOWAGE

ILL	PART NO	DESCRIPTION	QTY	REMARKS
1	RRC7040	Cleat	6	
2	RRC3674	Angle Plate	12	
3	NY106041L	Nut-Nyloc	12	
4	302371	Washer-Rubber	12	
5	AFU2651	Washer-Plain	12	





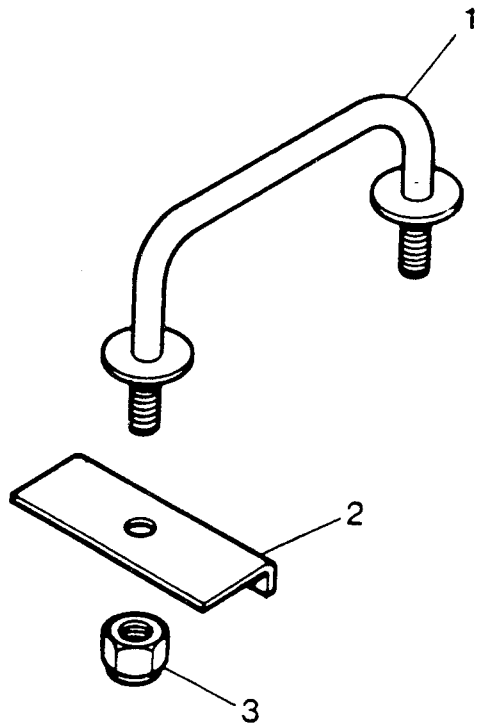
TS. 6952

MODEL DEFENDER  
BLOCK TS 6952

MODULE N405F

SKI RACK

ILL	PART NO	DESCRIPTION	QTY	REMARKS
1	RRC7039	Ski Rack	1	



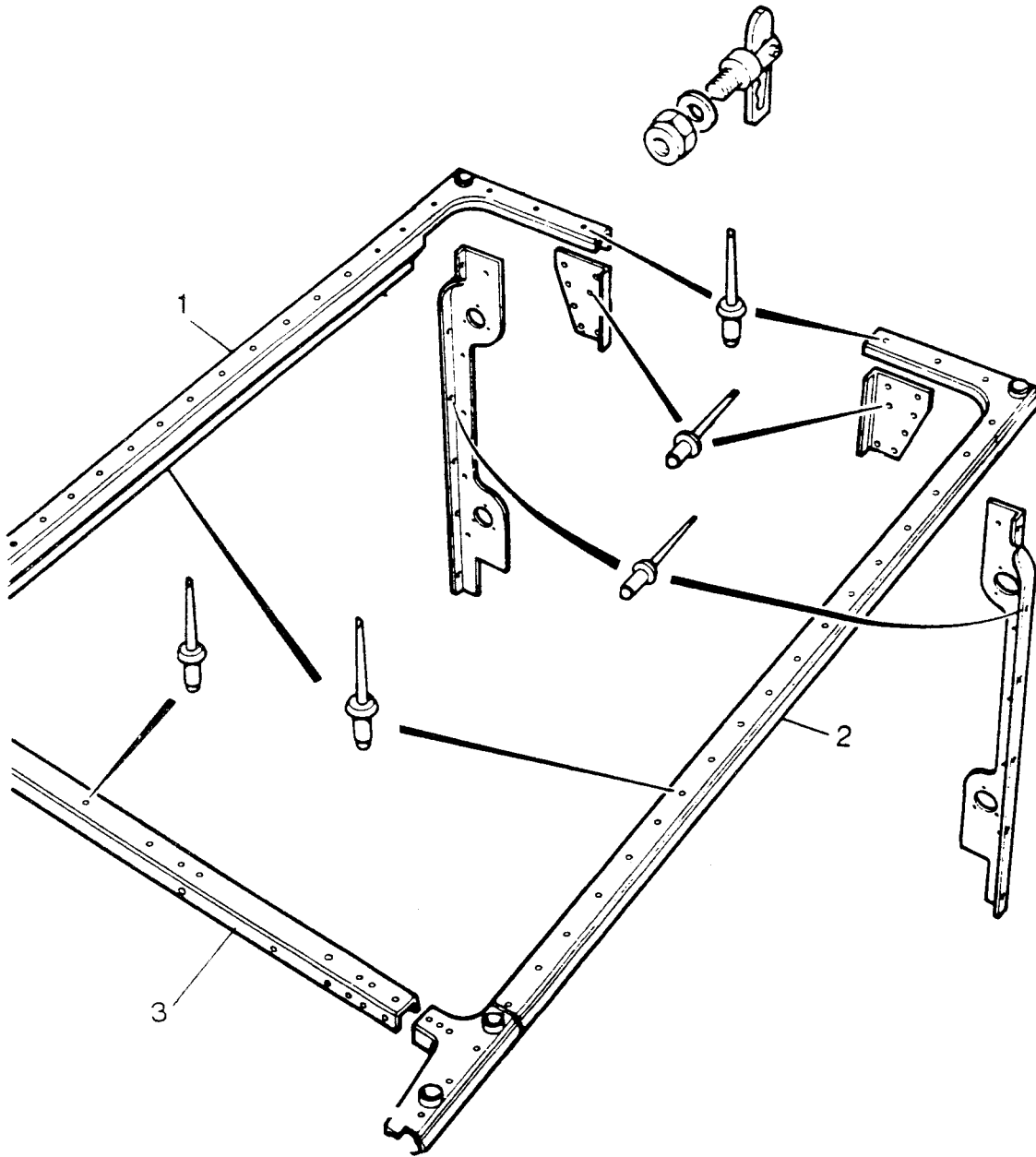
TS 6130

MODEL DEFENDER  
BLOCK TS 6130

MODULE ES013

BODY - CARGO LASHING CLEATS

ILL	PART NO	DESCRIPTION	QTY	REMARKS
1	RRC3588	Lashing Cleat	14	
2	RRC3674	Angle Plate	28	
3	NY106041L	Locknut	28	



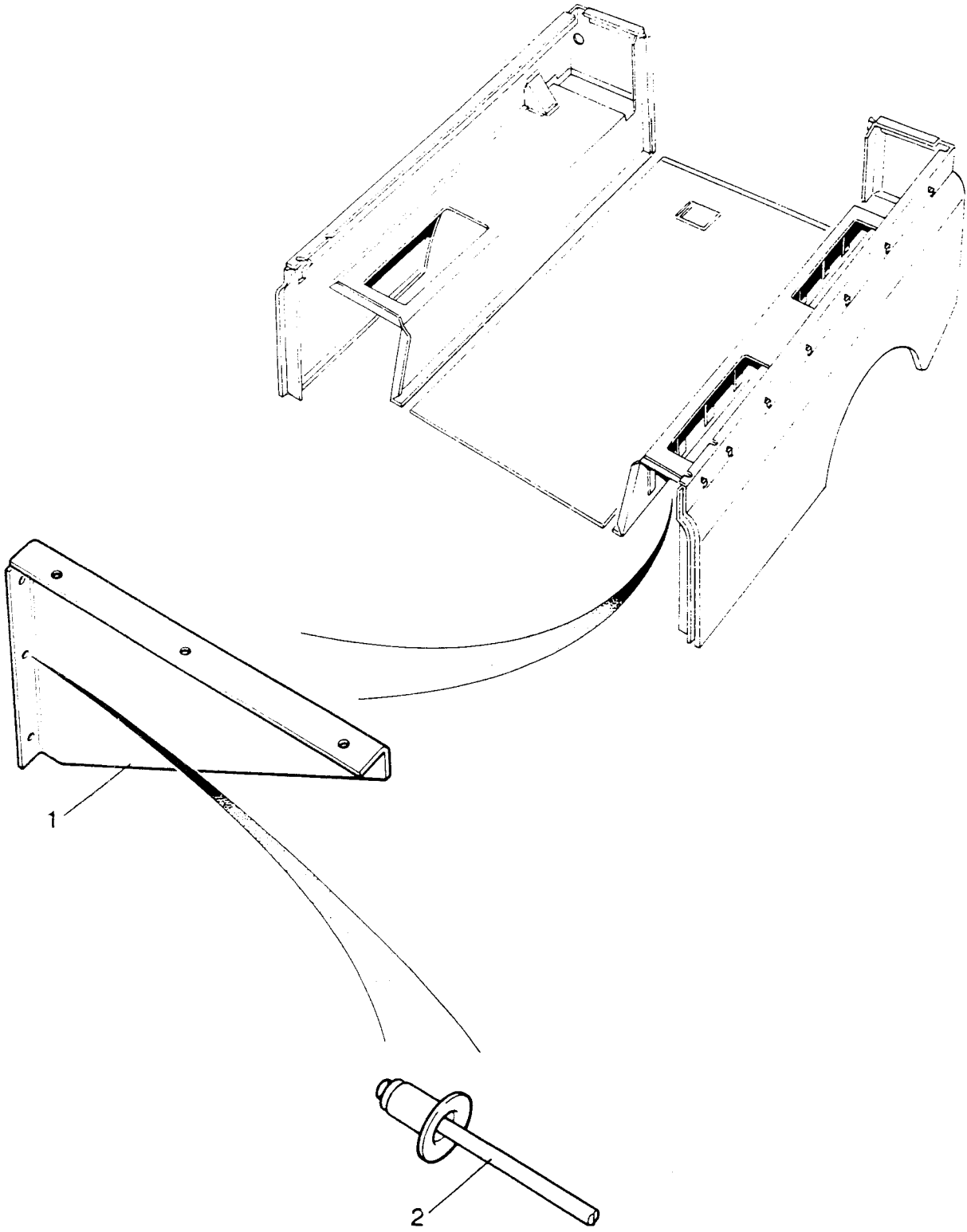
T55228B

MODEL DEFENDER  
BLOCK TS 5228B

MODULE BLO40

BODY - REAR BODY LOWER - CAPPINGS

ILL	PART NO	DESCRIPTION	QTY	REMARKS
1	RRC6427	Capping-RH	1	
2	RRC6428	Capping-LH	1	
3	RRC4557	Capping-Front Panel	1	



TS 6163

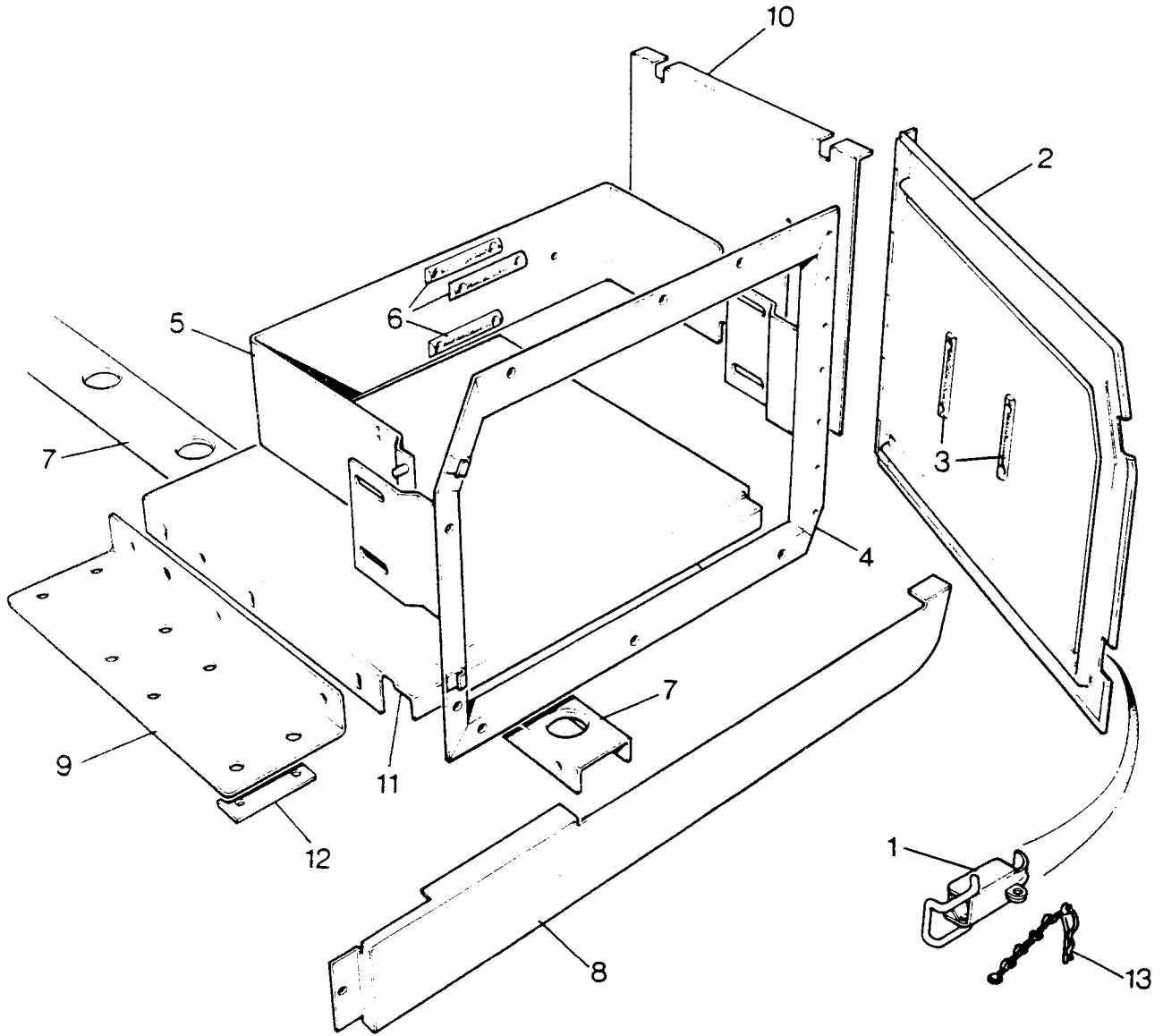
MODEL DEFENDER  
BLOCK TS 6163

MODULE BLO40

BODY - REAR WHEELARCH STIFFENERS

ILL	PART NO	DESCRIPTION	QTY	REMARKS
1	RRC3548	Wheelarch Stiffener	6	
2	RU612183L	Blind Rivet	56	



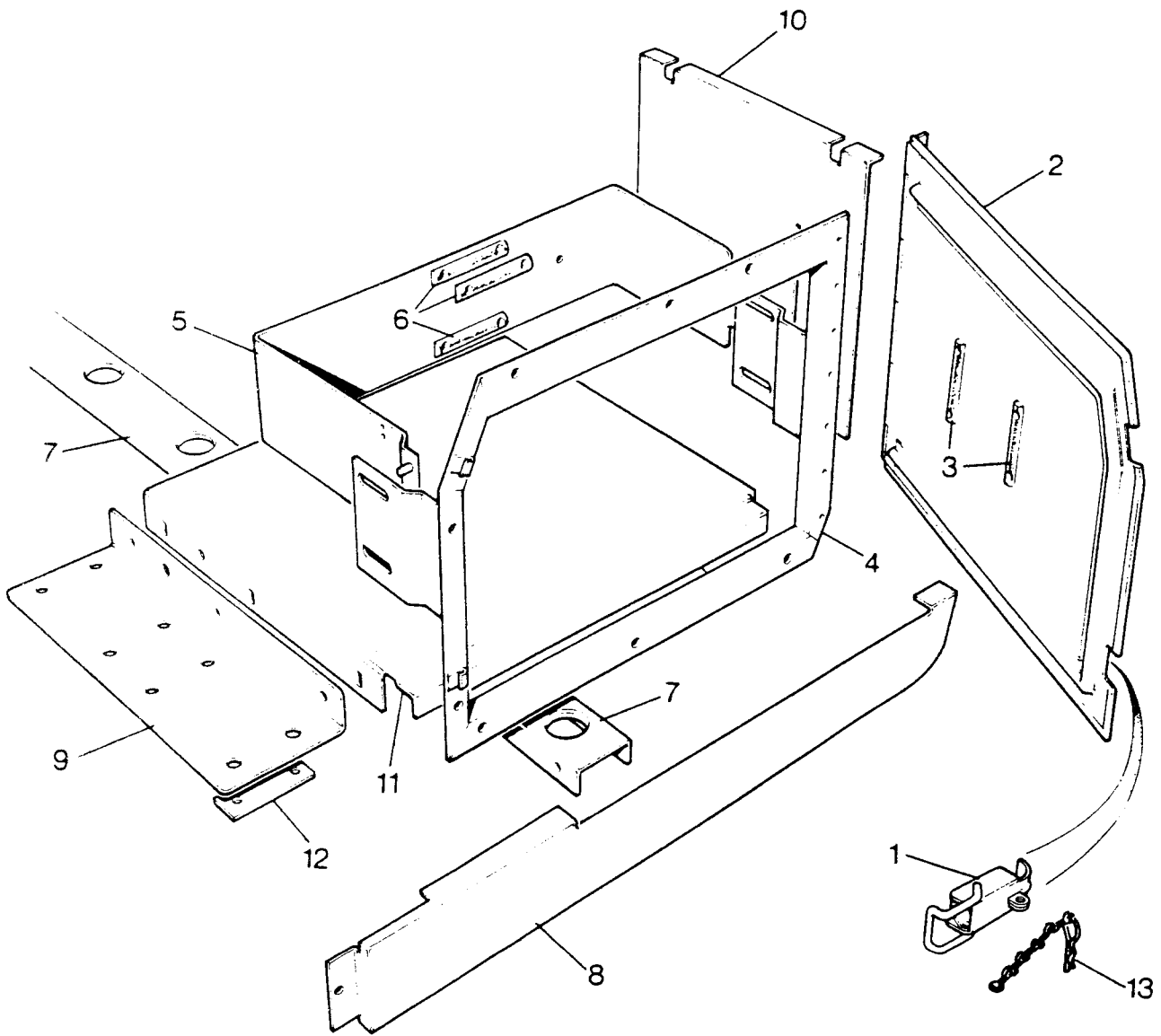


MODEL DEFENDER  
BLOCK TS 6170/B

MODULE BL040

BODY JERRYCAN HOLDERS

ILL	PART NO	DESCRIPTION	QTY	REMARKS
1	RRC4134	Door Catch	4	
	RA610253L	Rivet-Door Catch to Door	16	
2	RRC4793	Door Panel LH	1	
3	RRC1726	Support Rubber	2	
	RRC4792	Door Panel RH	1	
	RRC1726	Support Rubber	2	
	RA610373L	Rivet-Fixing Door to Body	14	
4	RRC3977	Outer Support Frame LH	1	
	RRC3976	Outer Support Frame RH	1	
	SF106161L	Screw )Outer Support	5	
	WA106041L	Washer Plain)Frame	5	
	NY106041L	Nyloc Nut )	5	
5	RRC1894	Cross Strap	2	
	SE106161L	Screw )Cross Strap to	2	
	WC106041L	Washer Plain )Bodyside	2	
	WL106001L	Washer Spring)	2	
	WC106041L	Washer Plain)Cross Strap to	4	
	NY106041L	Nyloc Nut )Outer Support	4	
		)Frame		
6	RRC1726	Support Rubber	4	
7	RRC2652	Crossmember	<del>4</del> 1	
	BH108121L	Bolt )Crossmember to	4	
	WL108001L	Washer Spring)Chassis	4	
	WA108051L	Washer Plain )	8	
	NH108041L	Nut )	4	
	SH108201L	Bolt )Crossmember to	4	
	WL108001L	Washer Spring )Floor, Support	4	
	WA108051L	Washer Plain )and Floor	8	
	NH108041L	Nut )support to	4	
		)Chassis		

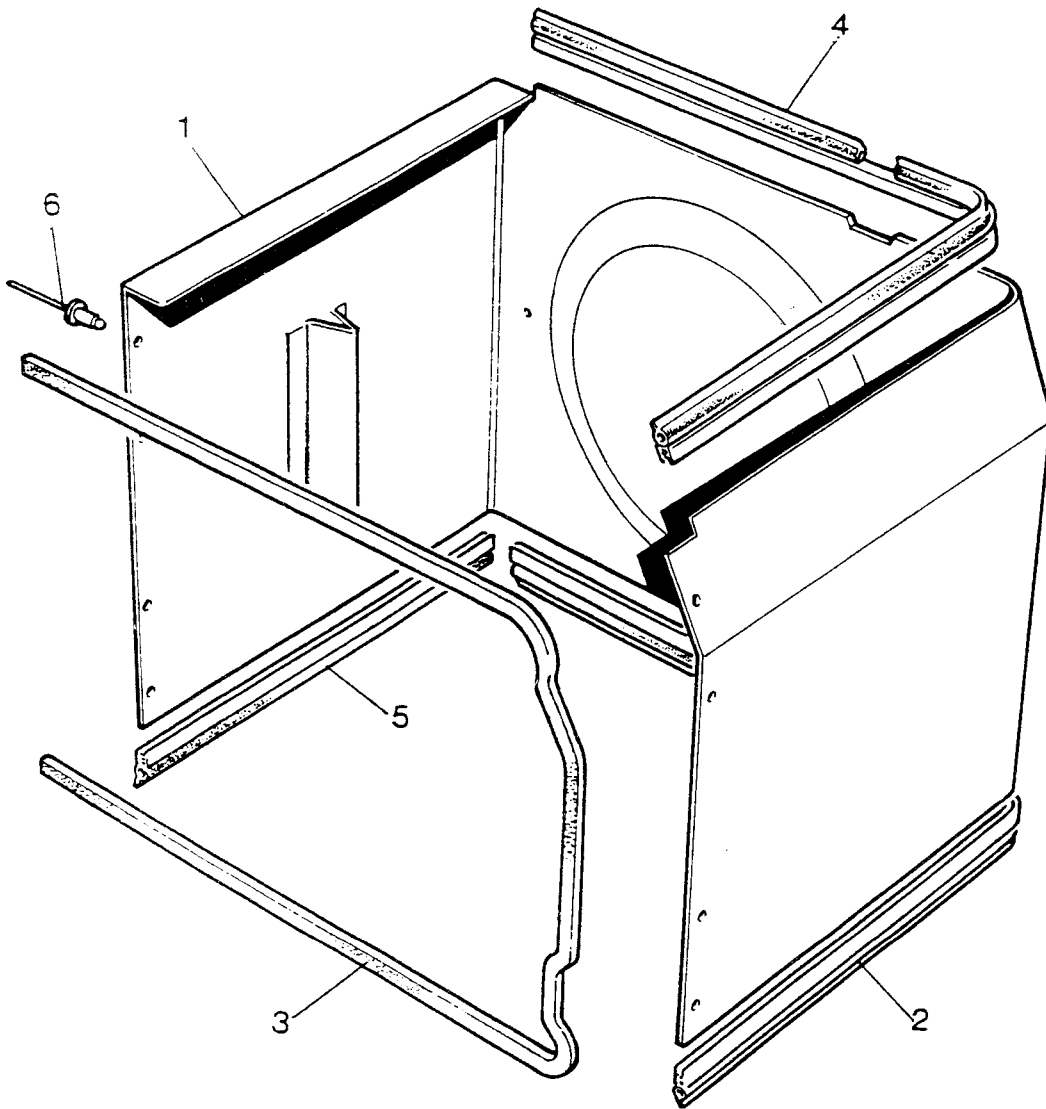


MODEL DEFENDER  
 BLOCK TS 6170/B

MODULE BLO40

BODY - JERRYCAN HOLDERS - CONTINUED

ILL	PART NO	DESCRIPTION	QTY	REMARKS
8	RRC1909	Sill Panel L.H.	1	
	RRC1908	Sill Panel R.H.	1	
9	RRC3801	Front Support Bracket	2	
10	RRC3803	Mudshield L.H.	1	
	RRC3802	Mudshield R.H.	1	
	SE106161L	Screw )Mudshield to	6	
	WC106041L	Washer Plain)Bodyside	12	
	NY106041L	Nyloc Nut )	6	
11	RRC3805	Floor L.H.	1	
	RRC3804	Floor R.H.	1	
12	RRC3661	Nut Plate	8	
	SH108201L	Bolt )Floor to Front	3	
	WA108051L	Washer Plain )Support Bracket	3	
	WL108001L	Washer Spring)	3	
	NH108041L	Nut )	3	
	SF106161L	Screw )Base of Outer	3	
	WC106041L	Washer Plain )Support Frame	3	
	NY106041L	Nyloc Nut )	3	
13	RRC4306	Security Clip & Chain	4	



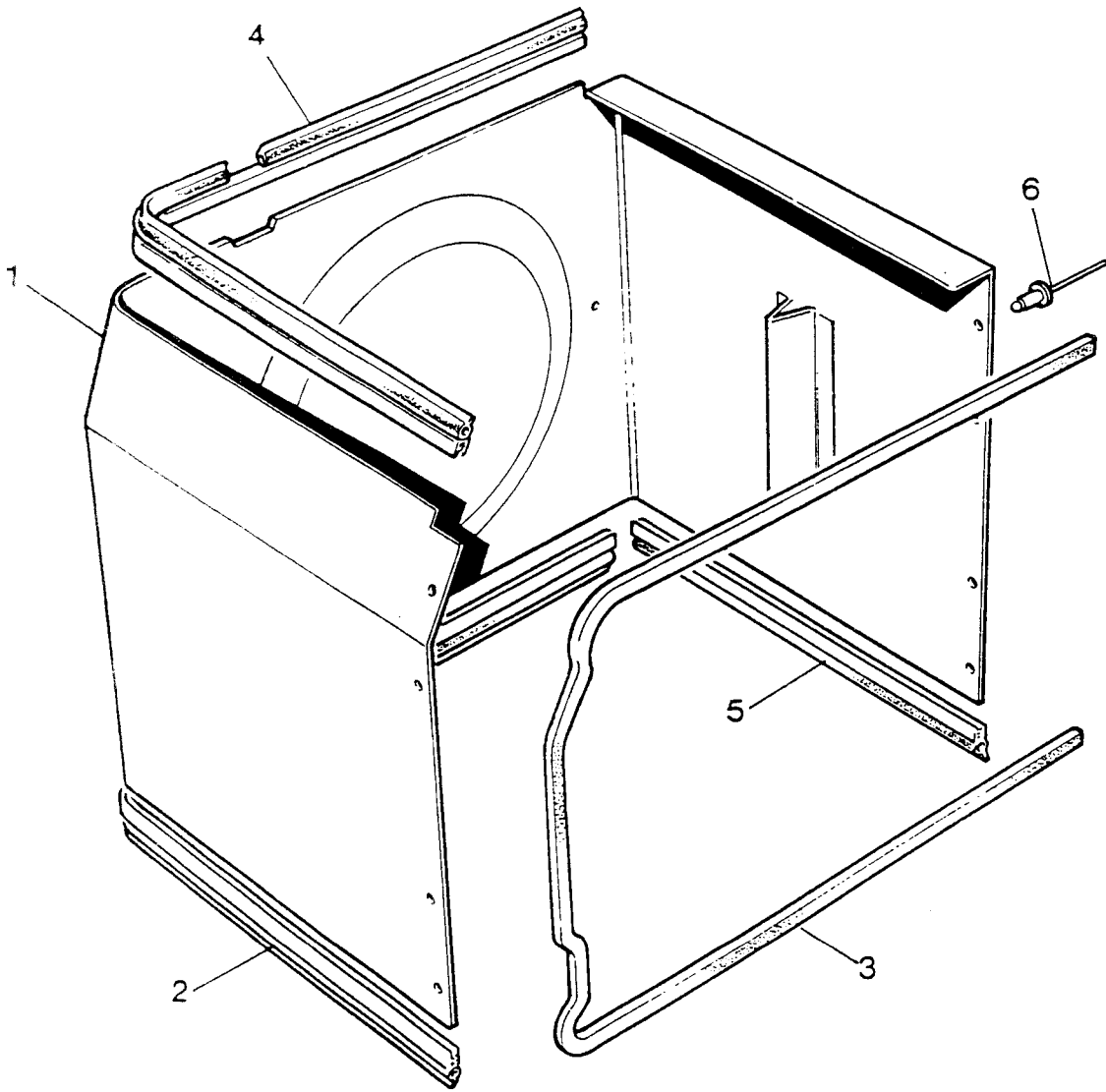
TS.6178/A

MODEL DEFENDER  
BLOCK TS 6178/A

MODULE ES030

BODY - SIDE TOOL LOCKER R.H.

ILL	PART NO	DESCRIPTION	QTY	REMARKS
1	FRC4756	Inner Panel RH	1	
2	MUC6324	Seal - Lower Front	1	)
3	MUC1008	Seal - Toolbox Door	1	)To be Cut
4	MWC2567	Seal - Upper Front	1	)to Size
5	MWC2567	Seal - Inner	1	)Required
6	RU612253L	Rivet	10	



TS6178

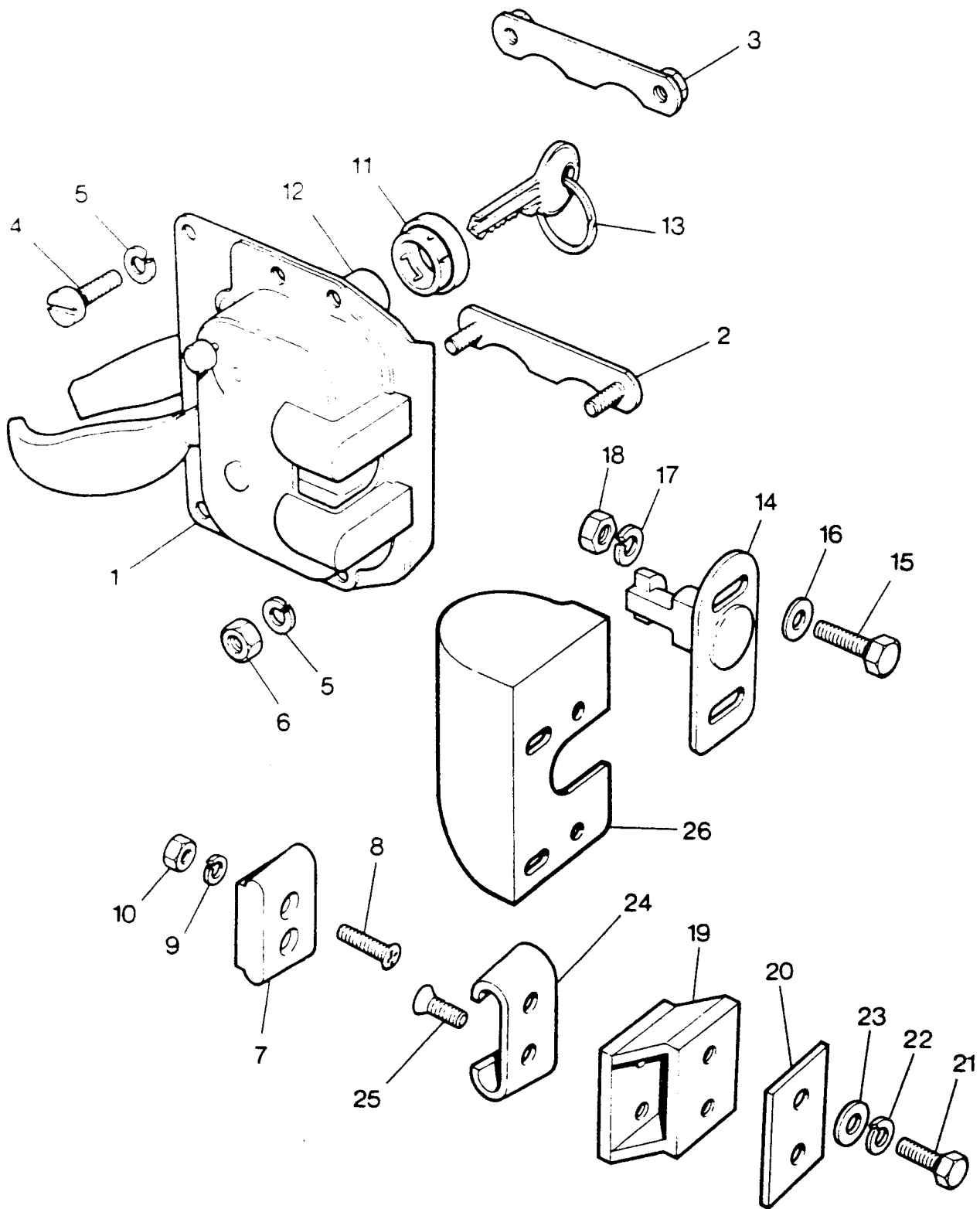
MODEL DEFENDER  
BLOCK TS 6178

MODULE ES030

BODY - SIDE TOOL LOCKER L.H.

ILL	PART NO	DESCRIPTION	QTY	REMARKS
1	RRC4757	Inner Panel LH	1	
2	MUC6324	Seal - Lower Front	1	)
3	MUC1008	Seal - Toolbox Door	1	)To be Cut
4	MWC2567	Seal - Upper Front	1	)to Size
5	MWC2567	Seal - Inner	1	)Required
6	RU612253L	Rivet	10	





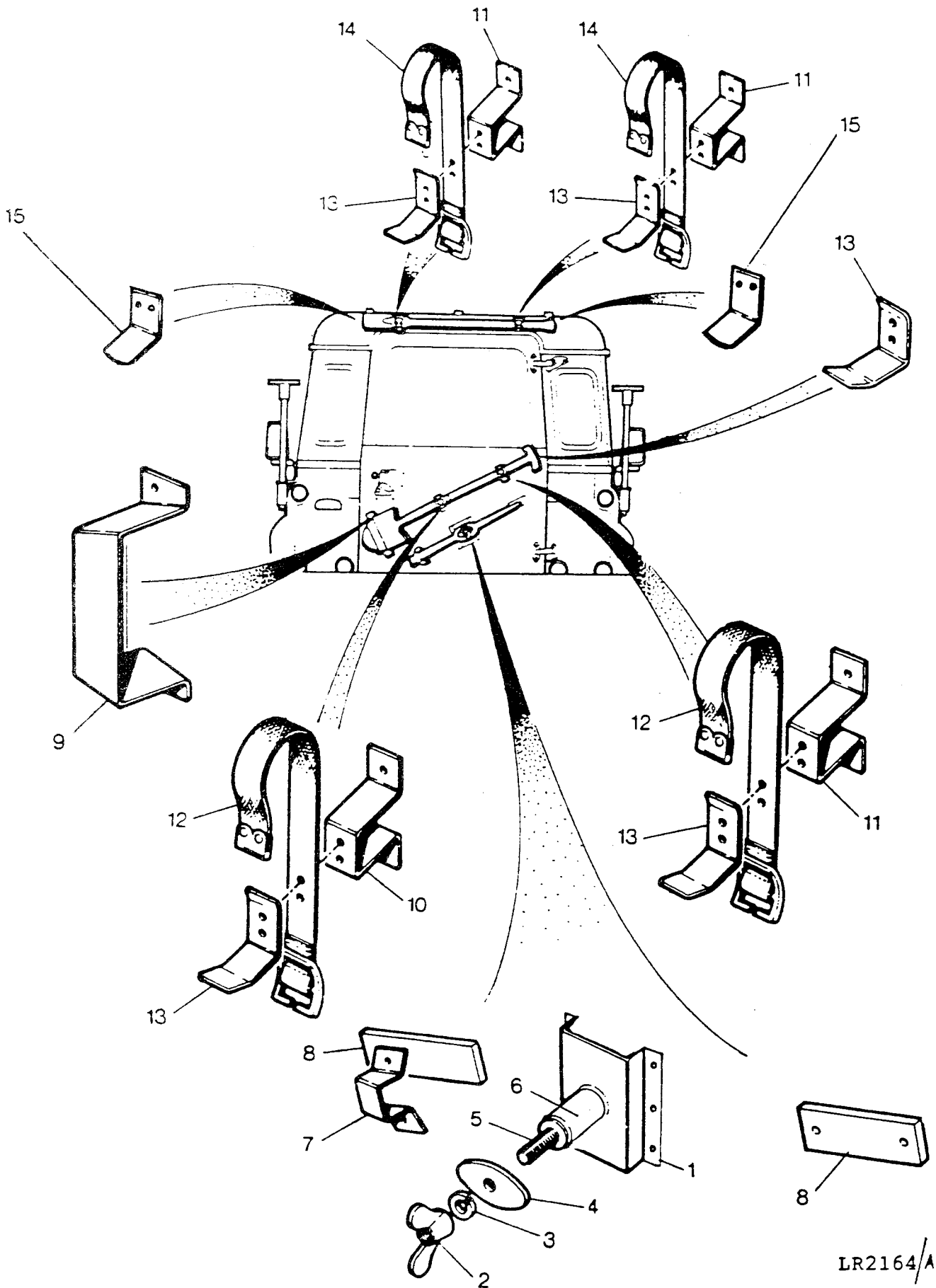
V539 02/A

MODEL DEFENDER  
BLOCK VS 3902/A

MODULE DR033

BODY - REAR END DOOR - LOCK

ILL	PART NO	DESCRIPTION	QTY	REMARKS
1	395037	Lock Assembly	1	
2	MRC9416	Screw Retainer )	1	
3	MRC9417	Nut Retainer )	1	
4	SE106161L	Screw )	2	Lock to Door
5	WL106001L	Spring Washer )	4	
6	NH106041L	Nut )	2	
7	332942	Male Dovetail	1	
8	SA106251	Screw )	2	Dovetail to
9	WL106001L	Spring Washer )	2	Door
10	NH106041L	Nut )	2	
11	347151	Seal for Lock	1	
		Barrel & Key Sets for Locks		
12	RTC3022	1 Barrel and 2 Keys	1	
	MTC6503	2 Barrels and 2 Keys	1	
	MTC6504	3 Barrels and 2 Keys	1	
	MTC6505	4 Barrels and 2 Keys	1	
	MTC6506	5 Barrels and 2 Keys	1	
	MTC6507	6 Barrels and 2 Keys	1	
	MTC6508	7 Barrels and 2 Keys	1	
	MTC6509	8 Barrels and 2 Keys	1	
13	CZK3438L	Key Blank		A/R
14	395294	Striker	1	
15	SH106251L	Screw )	2	
16	MRC5525	Plain Washer )	2	Striker to
17	WL106001L	Spring Washer )	2	Pillar
18	NH106041L	Nut )	2	
19	MRC9619	Spacer	1	
20	305232	Shim )	2	
21	SH106201L	Screw )	2	Spacer to
22	WL106001L	Spring Washer )	2	Pillar
23	AFU1080L	Plain Washer )	2	
24	332147	Female Dovetail	1	
25	SA106161	Screw-Dovetail to	2	Spacer
26	MRC9006	Shroud	1	



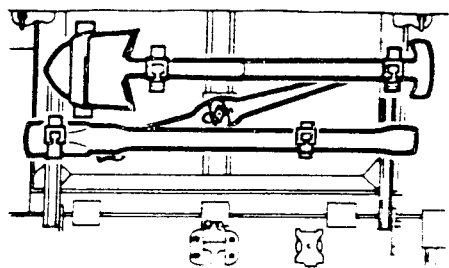
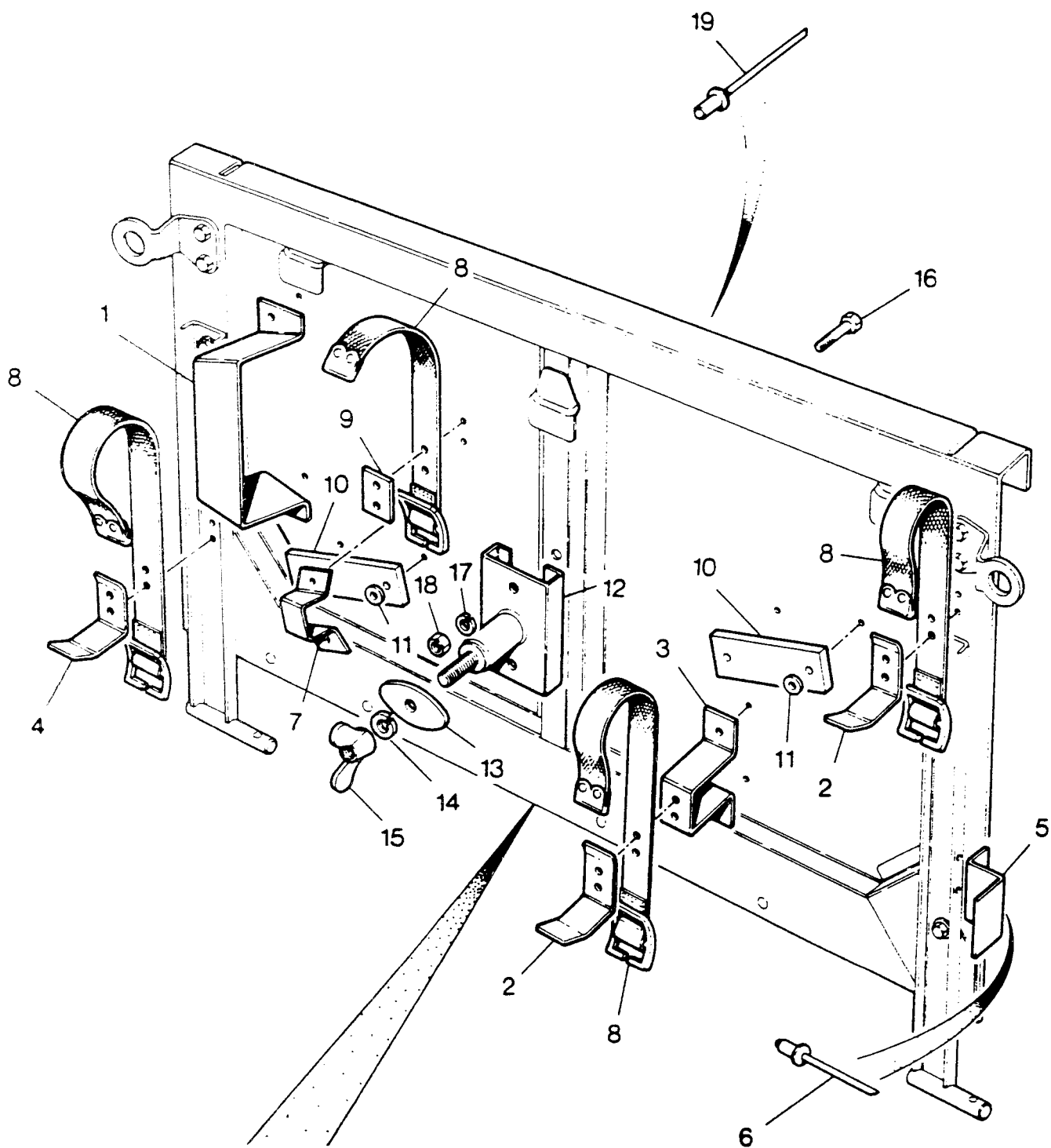
LR2164/A

MODEL DEFENDER  
BLOCK LR 2164/A

MODULE ME012

TOOL STOWAGE - REAR DOOR

ILL	PART NO	DESCRIPTION	QTY	REMARKS
1	335619	Mounting Plate-Pick Head	1	
2	250055	Wing Nut )	1	
3	WM600081L	Washer-Spring )Pick Head	1	
4	336351	Retaining Plate)to	1	
5	BH608261L	Bolt )Mounting	1	
6	336341	Spacer )Plate	1	
	3829	Washer-Plain )	1	
7	336350	Pick Axe Support Bracket	1	
8	336352	Pad	3	
9	395111	Bracket-Shovel Support	1	
10	335617	Bracket-Shovel Support-Large	1	
11	335618	Bracket-Shovel & Pick Axe Handle Support	3	
12	308792	Strap-Shovel Support	2	
13	336346	Tool Support Angle	5	
14	308792	Strap-Pick Axe Handle Support	2	
15	RRC4433	Bracket-Stop	2	
	78248	Rivet	A/R	



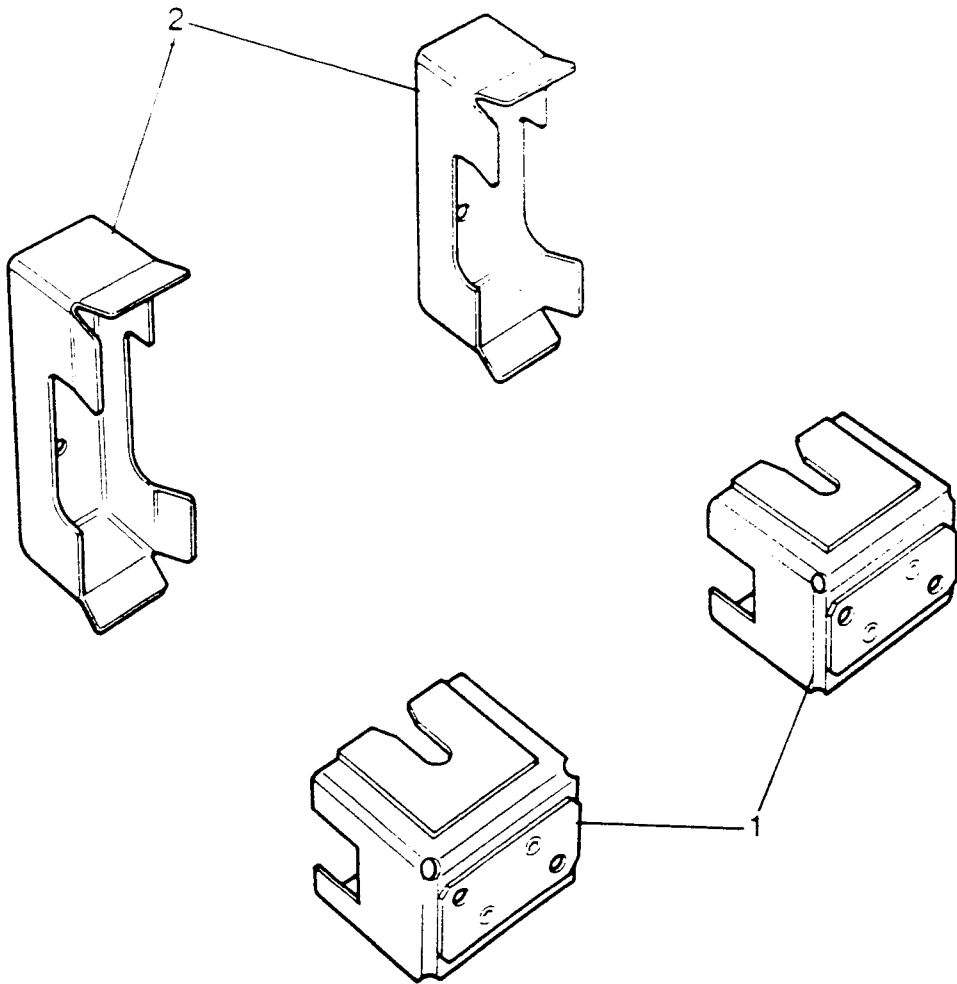
V53604

MODEL DEFENDER  
BLOCK VS 3604

MODULE ME014

TOOL STOWAGE - TAILBOARD

ILL	PART NO	DESCRIPTION	QTY	REMARKS
1	336344	Shovel Support & Bracket	1	
2	336346	Tool Support Bracket	2	
3	336347	Pick Axe Bracket Support	1	
4	336348	Pick Axe Shaft Support	1	
5	336349	Pick Axe Shaft Stop Bracket	1	
6	78652	Pop Rivet-Shaft Stop Bracket to Tailboard	2	
7	336350	Pick Axe Support Bracket	1	
8	308792	Strap Assembly-Shovel & Pick Helve	4	
9	336345	Strap Plate	1	
10	336352	Pad	2	
11	WC702101L	Washer-Plain-Pads to Tailboard	4	
12	337981	Pick Axe Support Complete	1	
13	336351	Retaining Plate-Pick Axe	1	
14	WM600081L	Washer-Spring )Retaining	1	
15	250055	Wing Nut )Plate	1	
16	256222	Bolt )Support	2	
17	WM600051L	Washer-Spring )to	2	
18	NH605041L	Nut )Tailboard	2	
19	78410	Pop Rivet-Brackets, Straps & Pads to Tailboard	18	



156553

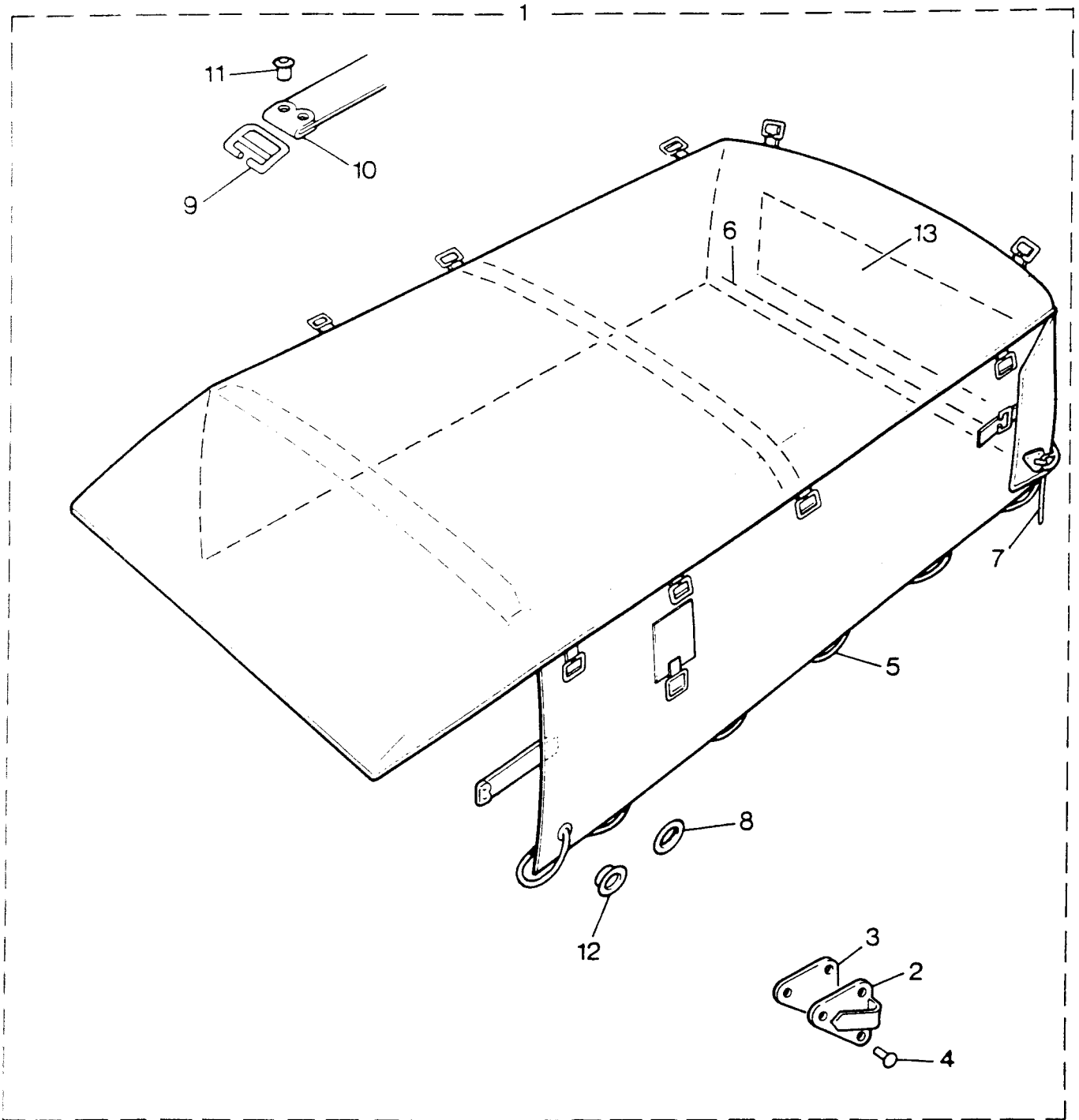
MODEL DEFENDER  
BLOCK TS 6853

MODULE ME012

SMALL ARMS CLIPS - SA80

ILL	PART NO	DESCRIPTION	QTY	REMARKS
1	RRC5813	Clip-Gun Barrel	2	
2	RRC5814	Clip-Gun Butt	2	
	RRC5873	Bracket-Gun Cantilever	2	
	RRC5874	Bracket-Barrel Clip	1	
	RRC5875	Bracket-Butt Clip	1	
	RRC6004	Bracket-Mounting Gun to Dash	1	





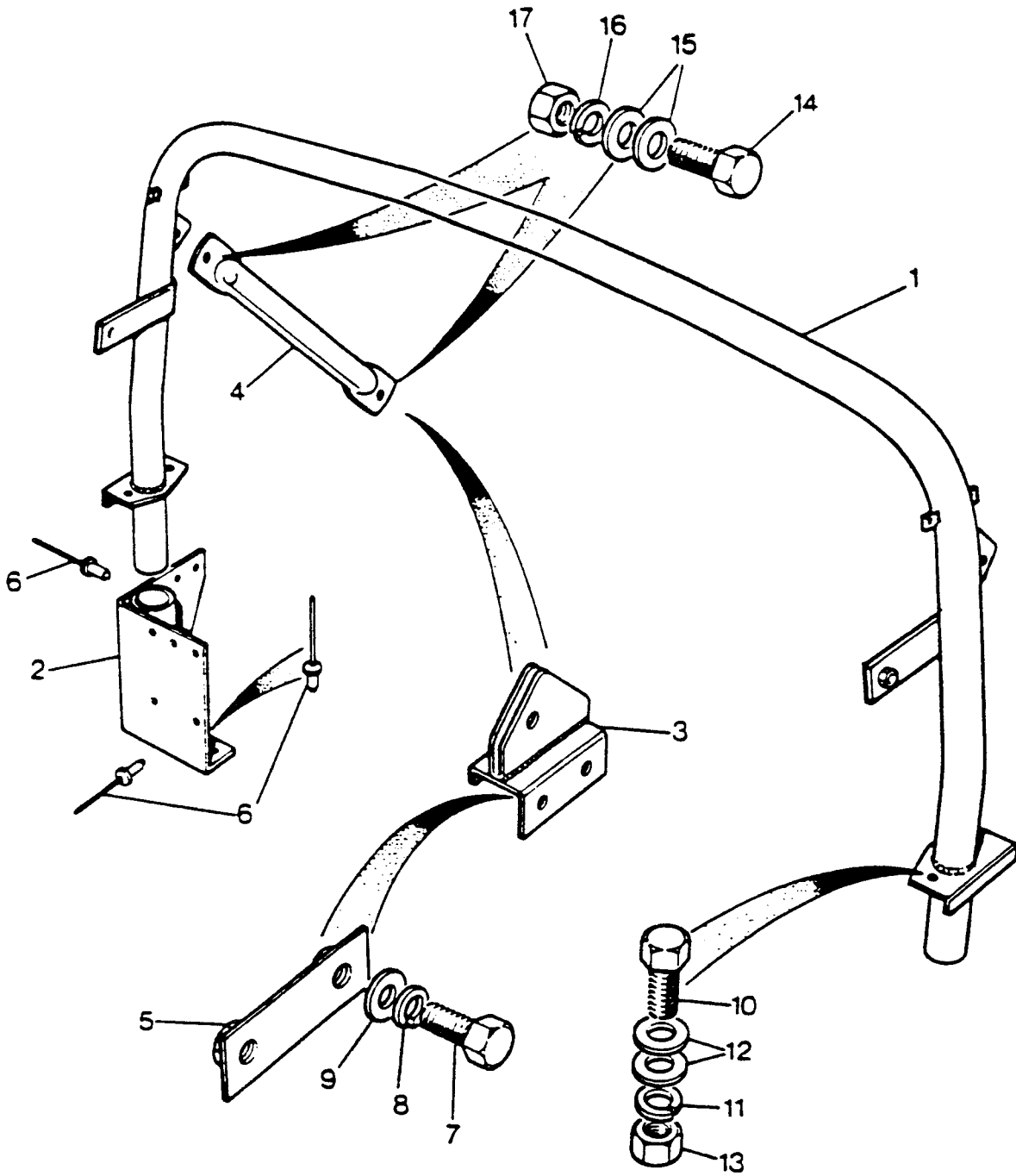
TS5525

MODEL DEFENDER  
BLOCK TS 5525

MODULE BU082

BODY - HOOD, FULL LENGTH (OLIVE DRAB)

ILL	PART NO	DESCRIPTION	QTY	REMARKS
1	RRC3453HE	Hood Assembly	1	
2	304797	Rope Hook	2	
3	301343	Washer Plate Fixing Rope Hook	2	
4	RF608041L	Rivet	6	
5	331317	Rope-Side Curtain	2	
6	331221	Rope-Rear Curtain	1	
7	331222	Rope-Hood Top & Sides	1	
8	301320	Sail Eyelet	A/R	
9	300953	Buckle	A/R	
10	300954	End Cap	A/R	
11	396800	Eyelet	A/R	
12	301321	Ring Eyelet	A/R	
13	MTC4313	Backlight	1	



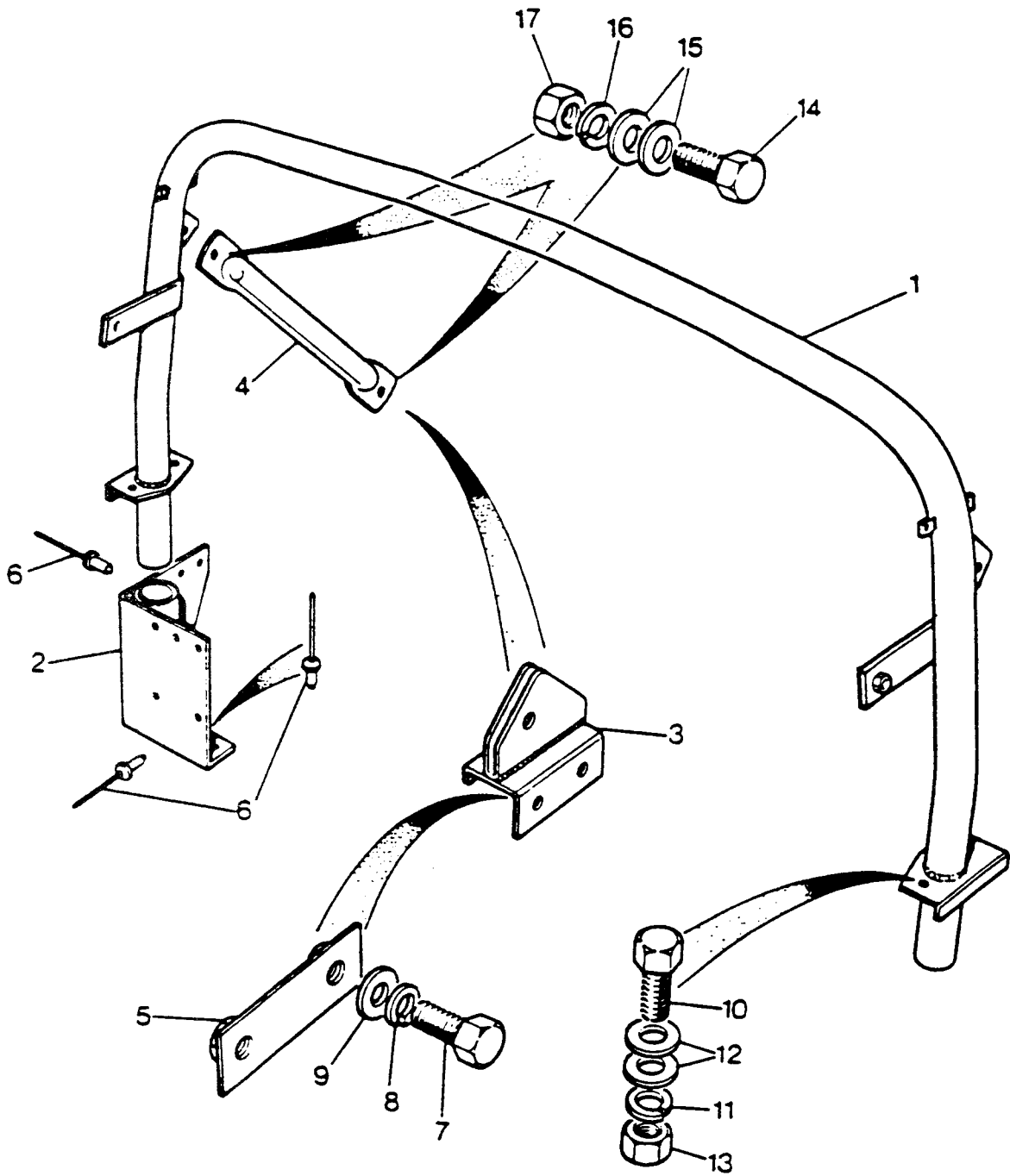
TS5407

MODEL DEFENDER  
BLOCK TS 5407

MODULE BU082

ROLL OVER BAR (DEFENDERS FITTED FOR RADIO)

ILL	PART NO	DESCRIPTION	QTY	REMARKS
1	RRC3574	Roll Over Bar	1	
2	RRC2922	Support Bracket RH	1	
	RRC2921	Support Bracket LH	1	
3	RRC2920	Stay Bracket RH	1	
	RRC2919	Stay Bracket LH	1	
4	MTC5516	Rear Stay	2	
5	MTC5519	Nut Plate-Fixing Stay Bracket	2	
6	RA612207L	Pop Rivet-Fixing Support Bracket to Body	24	
7	SH110201L	Screw M10 x 20 )Fixing Stay	4	
8	WL110001L	Washer Spring )Bracket to	4	
9	WA110061L	Washer Plain )Body Side	4	
10	SH108201L	Screw M8 x 20 )Fixing Roll	4	
11	WL108001L	Washer Spring )Bar to	4	
12	WA108051L	Washer Plain )Body Side	4	
13	NH108041L	Nut M8 )	4	
14	SH110301L	Screw M10 x 30 )	4	
15	WA110061L	Washer Plain )Fixing Rear	8	
16	WL110001L	Washer Spring )Stay	4	
17	NH110041L	Nut M10 )	4	



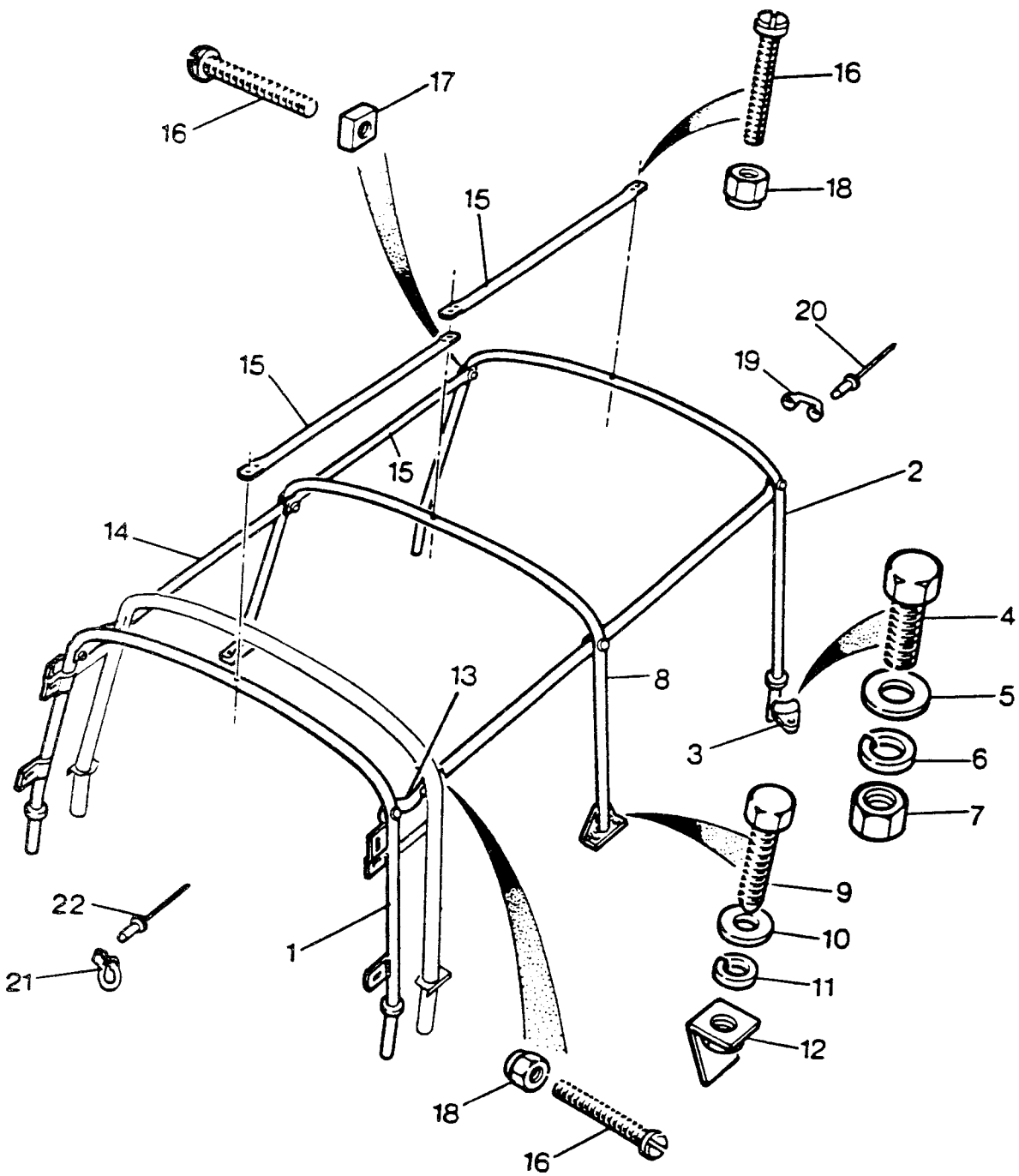
TS5407

MODEL DEFENDER  
BLOCK TS 5407

MODULE BU014

ROLL OVER BAR

ILL	PART NO	DESCRIPTION	QTY	REMARKS
1	RRC2946	Roll Over Bar	1	
2	RRC2922	Support Bracket RH	1	
	RRC2921	Support Bracket LH	1	
3	RRC2920	Stay Bracket RH	1	
	RRC2919	Stay Bracket LH	1	
4	MTC5516	Rear Stay	2	
5	MTC5519	Nut Plate-Fixing Stay Bracket	2	
6	RA612207L	Pop Rivet-Fixing Support Bracket to Body	24	
7	SH110201L	Screw M10 x 20 )Fixing Stay	4	
8	WL110001L	Washer Spring )Bracket to	4	
9	WA110061L	Washer Plain )Body Side	4	
10	SH108201L	Screw M8 x 20 )Fixing Roll	4	
11	WL108001L	Washer Spring )Bar to	4	
12	WA108051L	Washer Plain )Body Side	4	
13	NH108041L	Nut M8 )	4	
14	SH110301L	Screw M10 x 30 )	4	
15	WA110061L	Washer Plain )Fixing Rear	8	
16	WL110001L	Washer Spring )Stay	4	
17	NH110041L	Nut M10 )	4	



TS5529

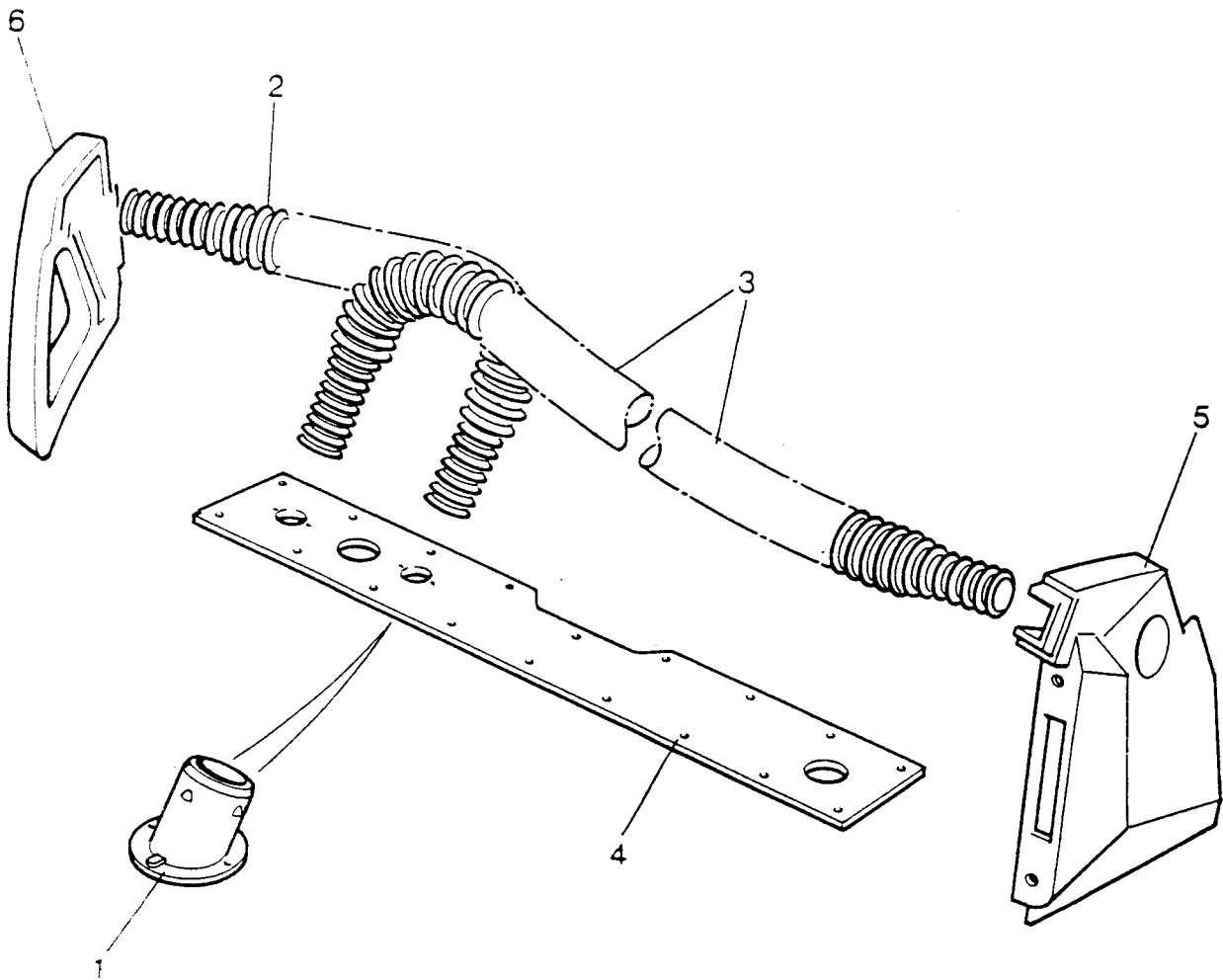
MODEL DEFENDER  
BLOCK TS 5529

MODULE BU082

BODY - HOODSTICKS

ILL	PART NO	DESCRIPTION	QTY	REMARKS
1	MUC4524	Hoodstick-Front	1	
2	330553	Hoodstick-Rear	1	
3	304301	Clamp Arm )	4	
4	SH108251L	Bolt )Front and Rear	4	
5	WA108051L	Plain Washer )Hoodsticks to	4	
6	WL108001L	Spring Washer)Body	4	
7	NH108041L	Nut )	4	
8	330699	Hoodstick-Intermediate	1	
9	SR106201	Screw )	4	
10	MRC5527	Plain Washer )Intermediate	4	
11	WL106001L	Spring Washer)Hoodstick	4	
12	MRC9603	Nut Plate )to Body	4	
13	RRC3249	Tie Tube-Front	2	
14	RRC3250	Tie Tube-Intermediate	2	
15	MUC2122	Tie Tube-Rear & Top	4	
16	SP106451L	Screw )Tie Tubes to	13	
17	NS106011	Square Nut )Hoodsticks &	6	
18	NY106041L	Self Locking Nut)Roll Bar	13	
19	345699	Rope Hook	2	
20	RR612103	Rivet-Hook to Body	4	
21	395143	Staple-Hood Strap	2	
22	RA612373L	Rivet-Staple to Body	4	





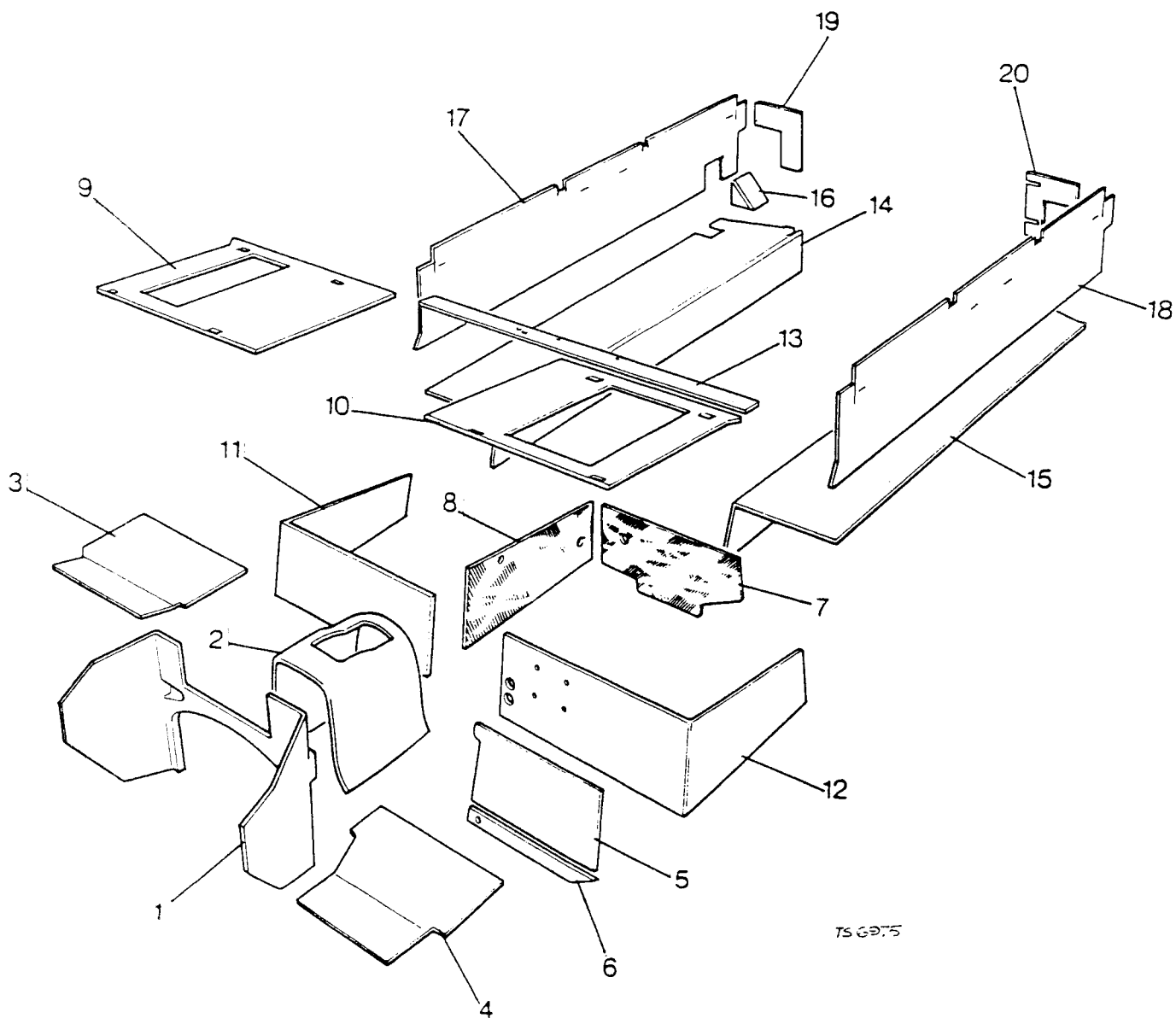
T56966

MODEL DEFENDER  
BLOCK TS 6966

MODULE N598F

SIDE SCREEN DEMIST

ILL	PART NO	DESCRIPTION	QTY	REMARKS
1	RRC7316	Adaptor - Duct	2	2-05
2	RRC7318	Tube - Heater Ducting LH	1	4-15
3	RRC7319	Tube - Heater Ducting RH	1	5-66
4	RRC7320	Panel-Closing & Insulation Pad	1	34-93
5	RRC7323	Trim - Instrument Panel End	1	7-70
6	RRC7327	Handle - Grab - Instrument Panel End	1	14-12

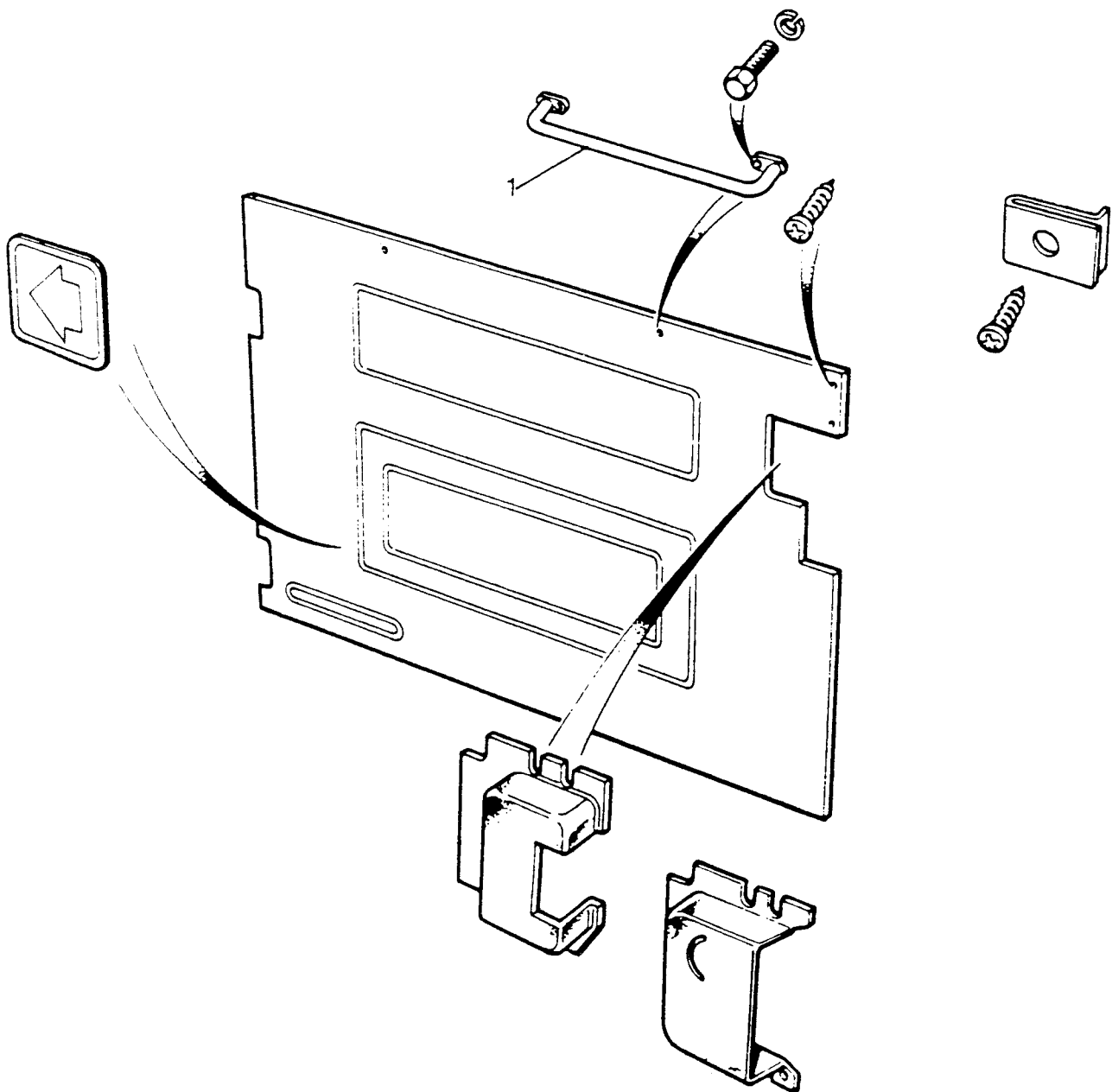


MODEL DEFENDER  
BLOCK TS 6975

MODULE TF083

INSULATION

ILL	PART NO	DESCRIPTION	QTY	REMARKS
1	BTR341	Insulation-Dash Centre	1	
2	MUC1621	Insulation-Tunnel	1	
3	MUC2268	Insulation-Front Floor RH	1	
4	MUC2269	Insulation-Front Floor LH	1	
5	RRC7015	Insulation-Battery Tray-Front Panel	1	
6	RRC7018	Insulation-Battery Tray-Front Panel	1	
7	RRC7016	Insulation-Battery Tray-Rear Panel	1	
8	RRC7017	Insulation-Battery Tray-Inner Panel	1	
9	RRC7390PMA	Insulation-Seat Base Top RH	1	
10	RRC7391PMA	Insulation-Seat Base Top LH	1	
11	RRC7422PMA	Insulation-Seat Base RH	1	
12	RRC7423PMA	Insulation-Seat Base LH	1	
13	RRC7421PMA	Insulation-Seat Base Extension Plate	1	
14	RRC7428PMA	Insulation-Rear Wheelarch RH	1	
15	RRC7429PMA	Insulation-Rear Wheelarch LH	1	
16	RRC7418PMA	Insulation-Fuel Filler	1	
17	RRC7432PMA	Insulation-Lower Side Rear Body RH	1	
18	RRC7433PMA	Insulation-Lower Side Rear Body LH	1	
19	RRC7420PMA	Insulation-Lower Qtr Rear Body RH	1	
20	RRC7419PMA	Insulation-Lower Qtr Rear Body LH	1	



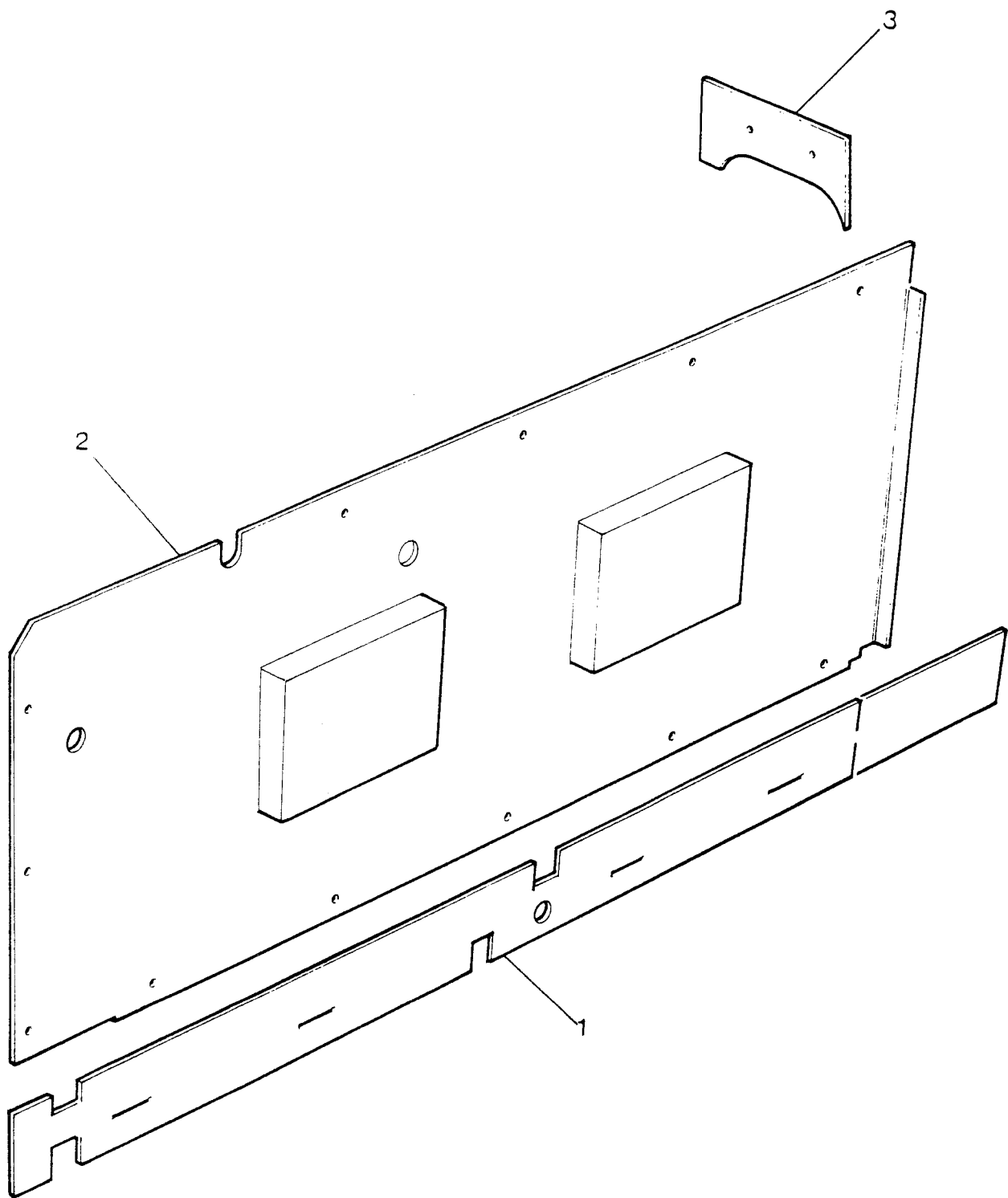
432718

MODEL DEFENDER  
BLOCK TS 5271/B

MODULE N421F

REAR END DOOR - HANDLE - WINTERISED

ILL	PART NO	DESCRIPTION	QTY	REMARKS
1	RRC5662	Handle	1	



T36973

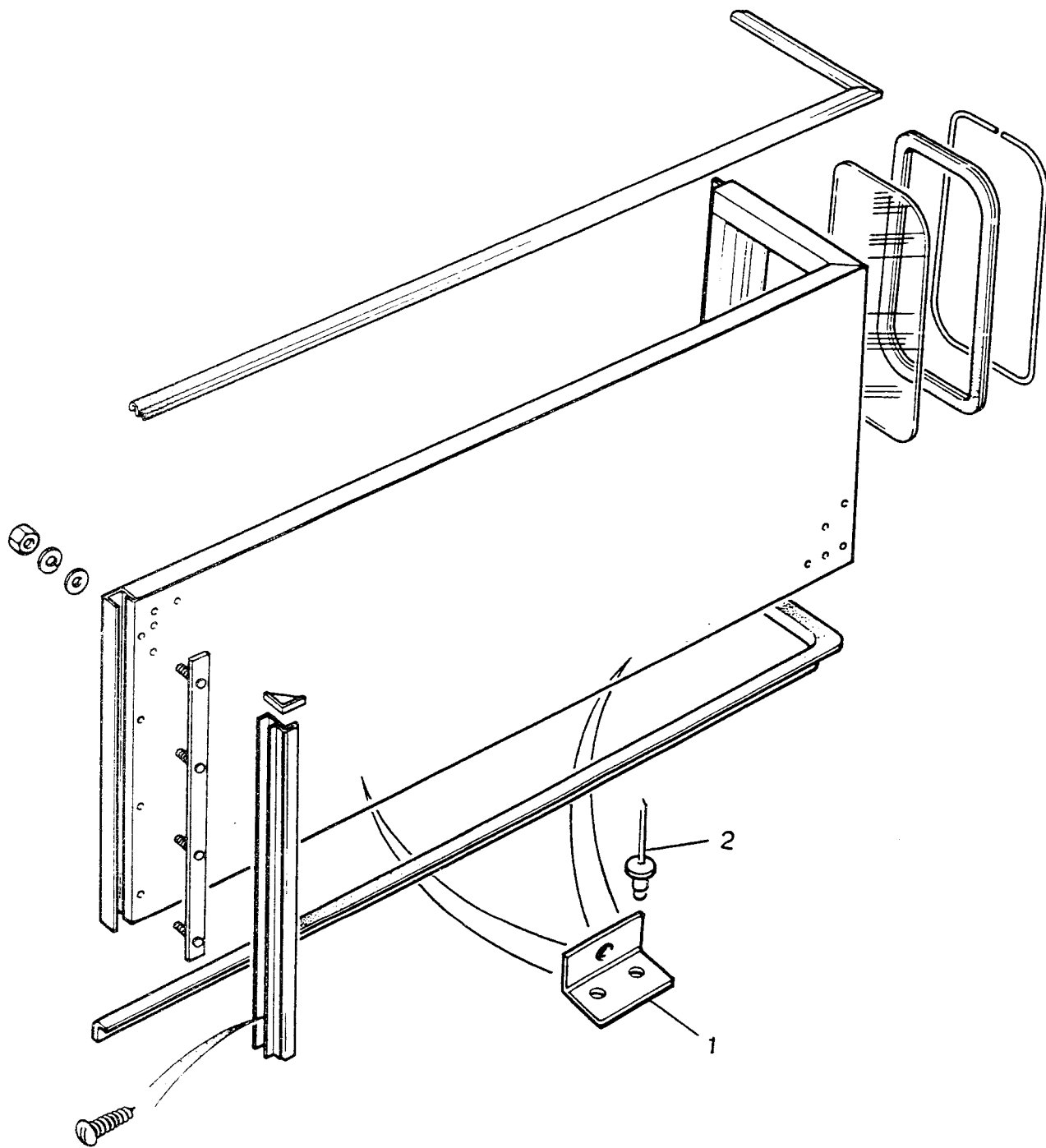
MODEL DEFENDER  
BLOCK TS 6973

MODULE TU082

TRIM - UPPER BODYSIDE

ILL	PART NO	DESCRIPTION	QTY	REMARKS
1	RRC7281PMA	Trim-Rail-Upper Bodyside LH	1	
	RRC7280PMA	Trim-Rail-Upper Bodyside RH	1	
2	RRC5893LNP	Trim-Upper Panel LH	1	
	RRC5894LNP	Trim-Upper Panel RH	1	
3	RRC7175LNP	Trim-Filler-Rear End Panel LH	1	
	RRC7174LNP	Trim-Filler-Rear End Panel RH	1	





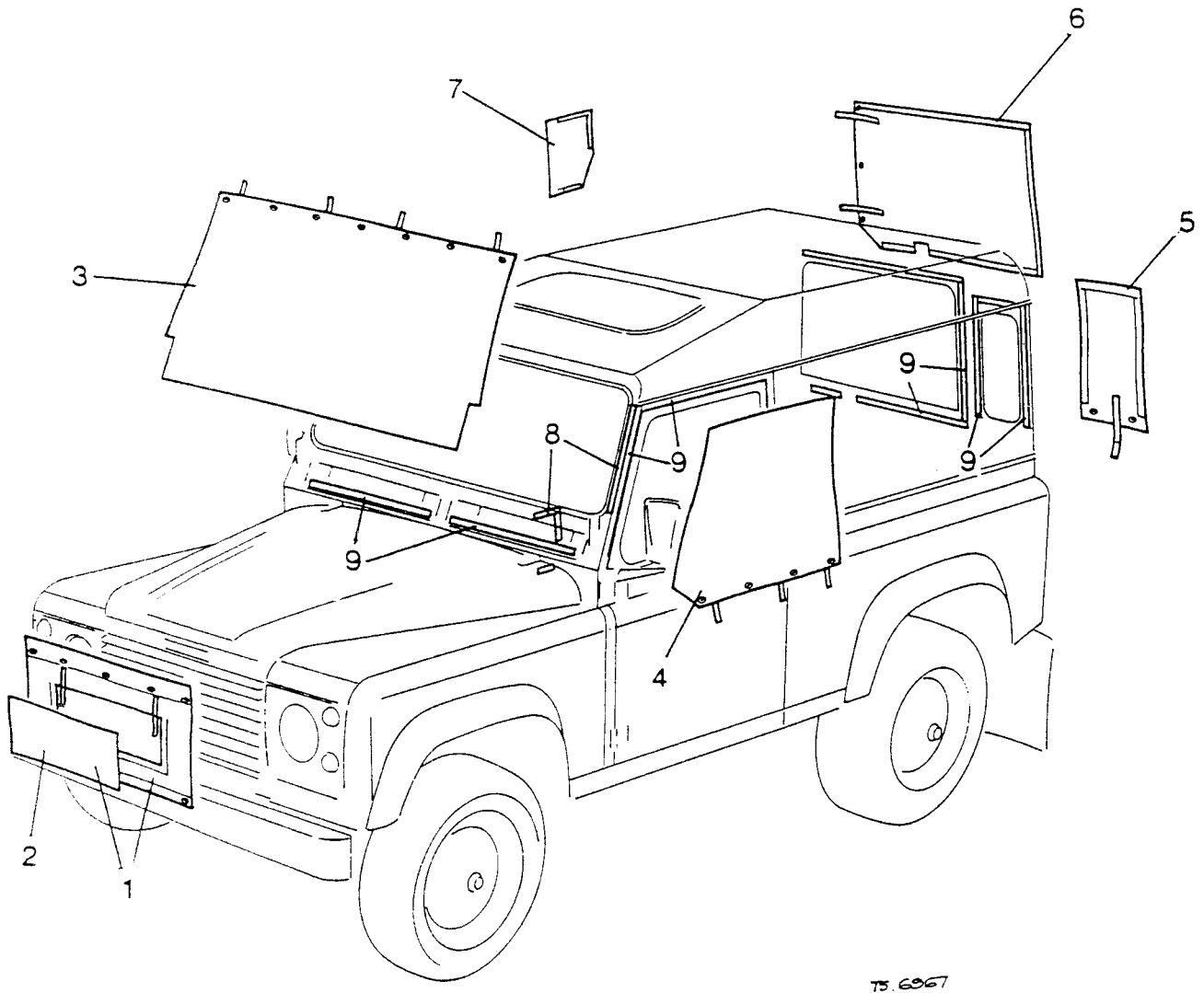
T56960

MODEL DEFENDER  
BLOCK TS 6960

MODULE BU073

BODY - REAR BODY UPPER - HARD TOP

ILL	PART NO	DESCRIPTION	QTY	REMARKS
1	RRC7155	Bracket - Trim	4	
2	78248	Rivet - Bracket	8	

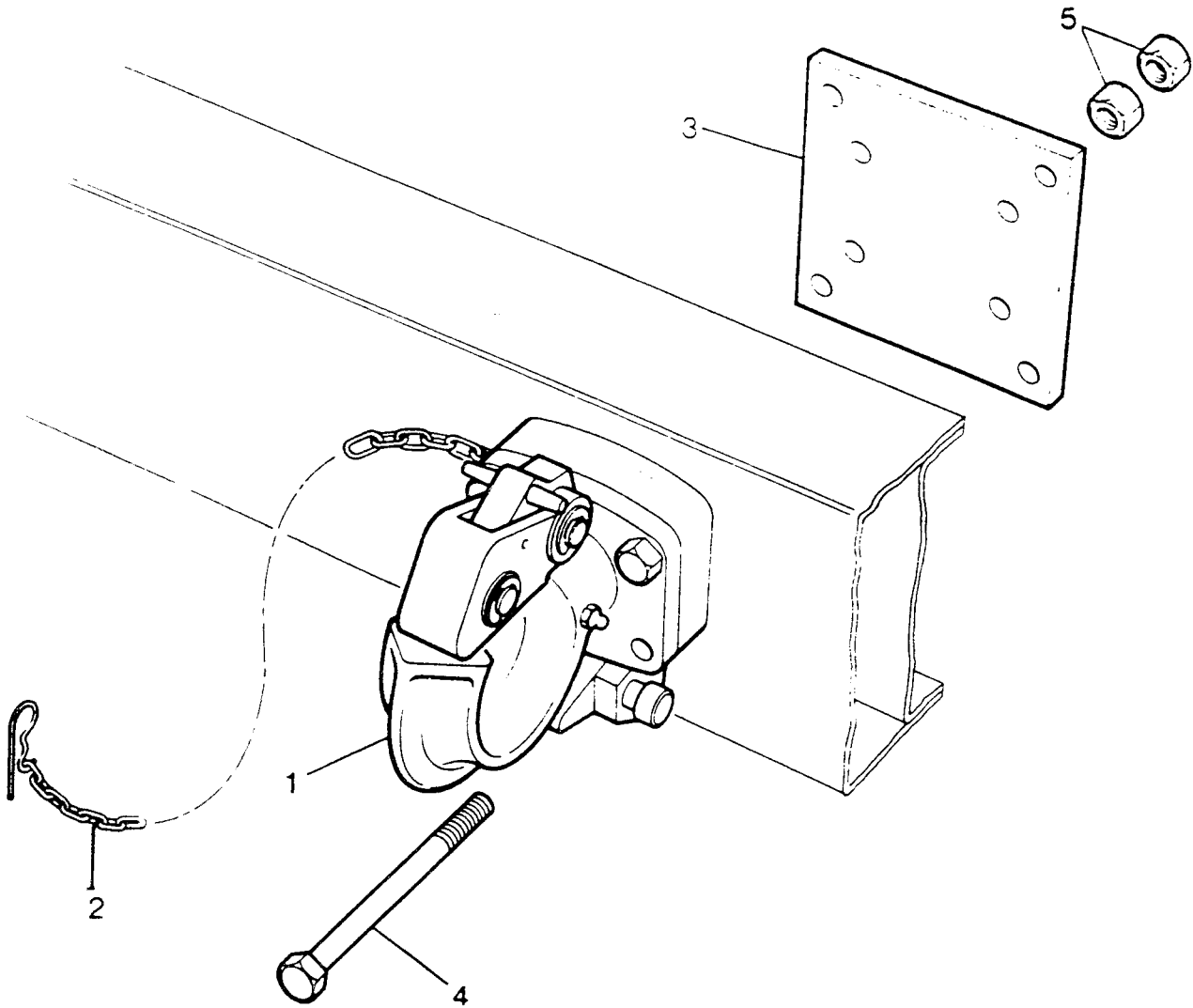


MODEL DEFENDER  
BLOCK TS 6967

MODULE X0055

SNOW BLINDS & RADIATOR MUFF

ILL	PART NO	DESCRIPTION	QTY	REMARKS
1	RRC7260	Muff - Radiator	1	
2	RRC7264	Flap - Radiator Muff	1	
3	RRC7247	Blind - Windscreen	1	
4	RRC7211	Blind - Sidescreen LH	1	
	RRC7210	Blind - Sidescreen RH	1	
5	RRC7237	Blind - Rear Q/Light LH	1	
	RRC7238	Blind - Rear Q/Light RH	1	
6	RRC7226	Blind - Rear End Door	1	
7	RRC7254	Blind - Fuel Filler	1	
8	RRC7246	Velcron Strip	A/R	
9	RRC7222	Velcron Strip	A/R	



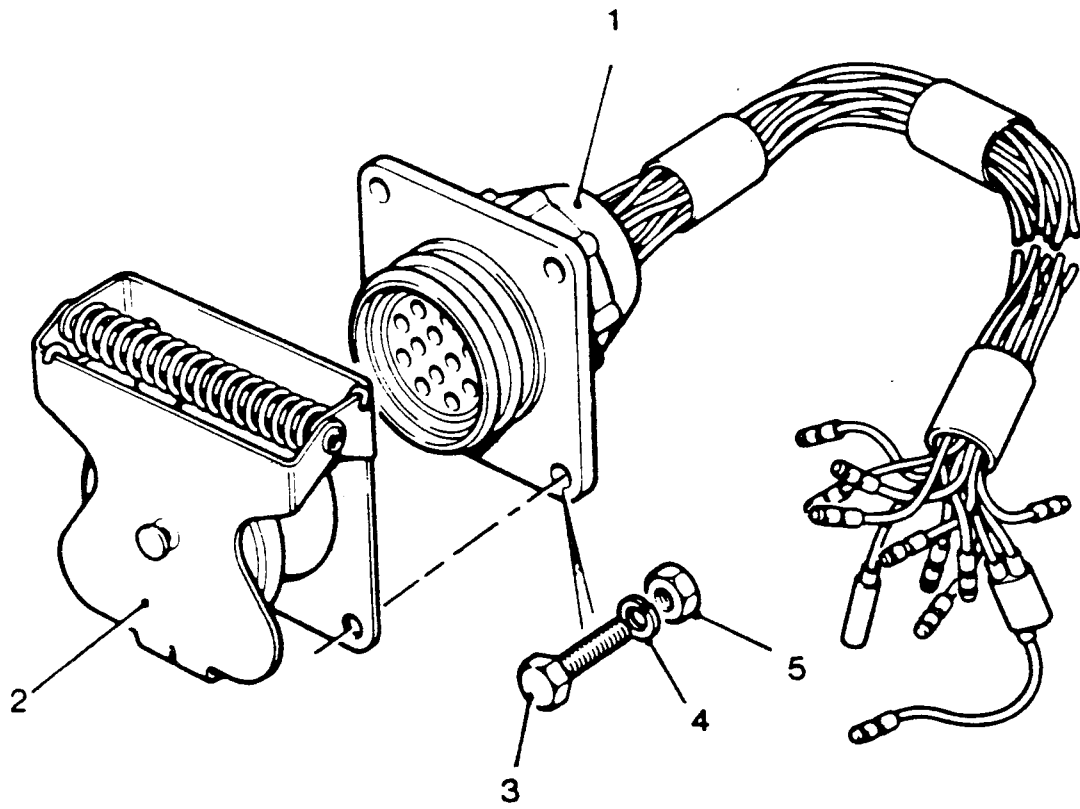
TS5131

MODEL DEFENDER  
BLOCK TS 5131

MODULE TE062

ROTATING TOWING PINTLE

ILL	PART NO	DESCRIPTION	QTY	REMARKS
1	NRC2051	Rotating Towing Pintle	1	
2	RTC5597	Pin-Chain and Tag Assy	1	
3	NRC8323	Stiffener	1	
4	BH112241L	Bolt )Pintle to RRC6526	4	
5	NH112041L	Nut )Crossmember	8	
	531447	Packing Plate	1	



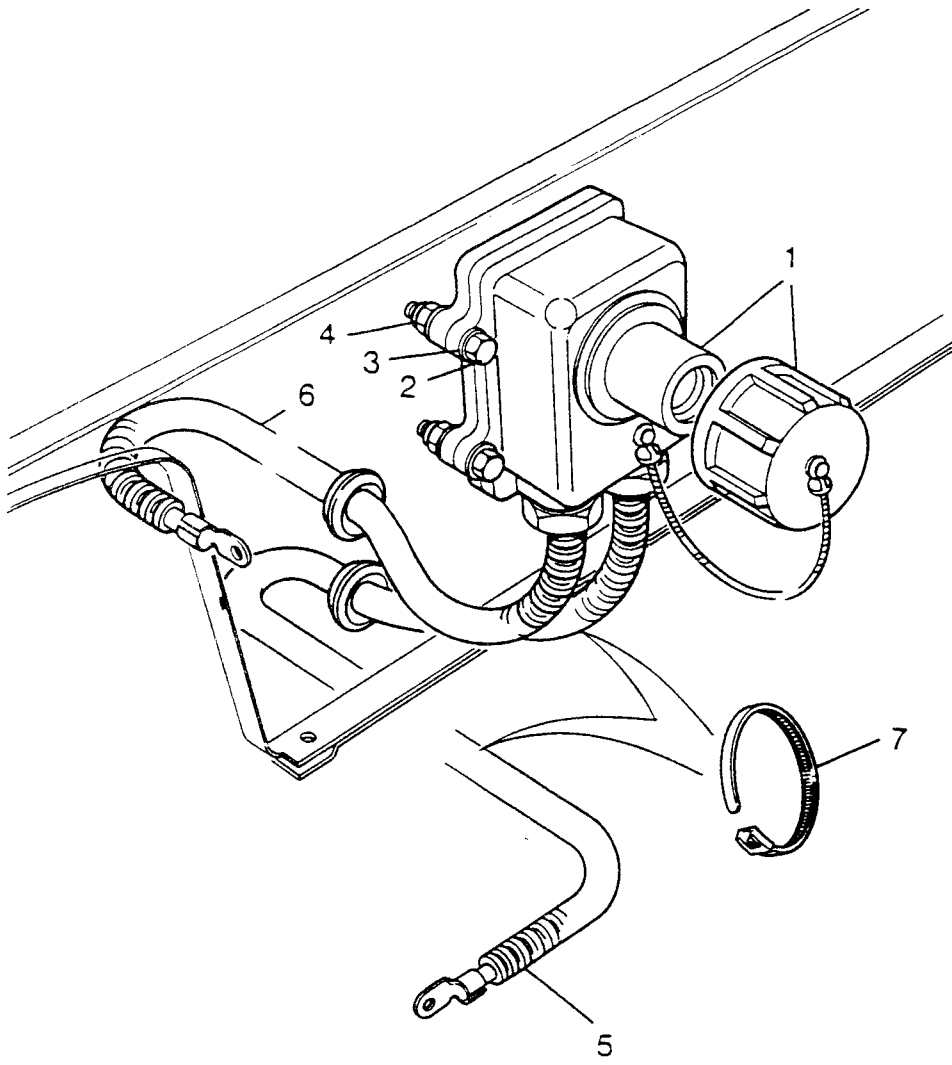
MODEL DEFENDER  
BLOCK DA 36

MODULE TE062

ELECTRICAL - NATO SOCKET

ILL	PART NO	DESCRIPTION	QTY	REMARKS
1	PRC3222	Nato Socket C/W Leads	1	
	NRC4967	Mounting Plate	1	
2	PRC6239	Protection Cap-Nato Socket	1	
3	SH106201L	Screw	4	
4	WL106001L	Washer-Spring	4	
5	NH106041L	Nut	4	
	SL106121L	Taptite Screw	4	
	555711	Grommet-Nato Socket Lead	1	





TS 6962

MODEL DEFENDER  
BLOCK TS 6962

MODULE N535F

STARTER SOCKET - INTER VEHICLE

ILL	PART NO	DESCRIPTION	QTY	REMARKS
1	RRC6787	Socket - Inter Vehicle Start	1	
2	SH106301L	Screw )Socket	4	
3	WA106041L	Washer - Plain )to	8	
4	NY106041L	Nut )Heelboard	4	
5	RRC7439	Cable-Positive-Socket to Solenoid	1	
6	RRC7438	Cable-Negative-Socket to Earth	1	
7	568680	Tie - Cable	4	